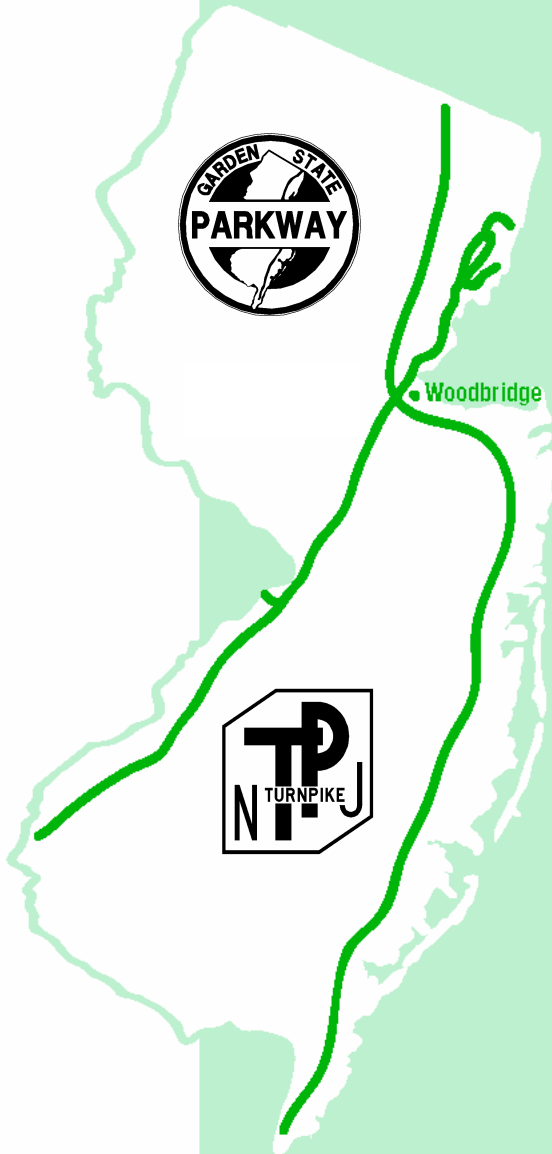


**NEW JERSEY TURNPIKE AUTHORITY
GARDEN STATE PARKWAY
NEW JERSEY TURNPIKE**



**MANUAL FOR
TRAFFIC CONTROL
IN WORK ZONES**

TABLE OF CONTENTS

1	INTRODUCTION	1-1
1.1	Purpose of the Manual.....	1-1
1.2	Policy Statement.....	1-1
1.3	Requirements and Responsibilities	1-2
1.4	Organizational Structure of New Jersey Turnpike Authority	1-3
1.4.1	Engineering.....	1-4
1.4.2	Maintenance.....	1-4
1.4.3	Operations.....	1-6
1.4.4	Tolls	1-6
1.4.5	New Jersey State Police.....	1-7
1.5	Lane Closure and Shoulder Closure Tables.....	1-7
2	GLOSSARY	2-1
2.1	Terminology Definitions.....	2-1
2.2	Roadway Names and Locations.....	2-4
2.3	Roadway Designations (Abbreviations) – N.J. Turnpike.....	2-6
2.4	Roadway Designations (Abbreviations) – G.S. Parkway	2-16
3	WORK ZONE POLICIES.....	3-1
3.1	Approval Process.....	3-1
3.1.1	Traffic Permit and Other Permits	3-1
3.1.2	Insurance	3-1
3.1.3	Training Class	3-2
3.2	Ramp and Mainline Lane, Shoulder and Roadway Closures.....	3-2
3.2.1	Overview	3-2
3.2.2	Authority to Allow / Prohibit Closures.....	3-3
3.2.3	Closure Request Process.....	3-4
3.2.4	State Police Assistance	3-4
3.2.5	Restrictions on Closures.....	3-5
3.3	Temporary Traffic Control Devices.....	3-5
3.3.1	Work Zone Signs.....	3-5
3.3.2	Temporary Sign Stands and Frames	3-6
3.3.3	Portable Variable Message Signs (PVMS)	3-6
3.3.4	Flashing Arrow Boards	3-7
3.3.5	Temporary Pavement Markings.....	3-7
3.3.6	Traffic Cones.....	3-7
3.3.7	Drums	3-8
3.3.8	Barricades.....	3-8
3.3.9	Temporary Concrete Construction Barrier	3-8
3.3.10	Guide Rail	3-9

**New Jersey Turnpike Authority
Manual for Traffic Control in Work Zones**

3.3.11	Flashing Amber Warning Lights.....	3-9
3.3.12	Attenuators.....	3-10
3.3.13	Cone Truck.....	3-10
3.3.14	Traffic Control Truck.....	3-10
3.3.15	Flaggers (Traffic Directors).....	3-10
3.3.16	Modular Glare Screen Systems.....	3-11
4	WORK ZONE OPERATIONS.....	4-1
4.1	Speed Reductions.....	4-1
4.2	Access to Work Site.....	4-1
4.3	Movement of Work Area Vehicles and Personnel	4-1
4.4	Personnel Safety.....	4-2
4.5	Variable Message Sign (VMS) Systems.....	4-2
5	WORK ZONE PROCEDURES.....	5-1
5.1	General.....	5-1
5.1.1	Detours.....	5-1
5.1.2	Nighttime Operations.....	5-1
5.1.3	Existing Signals, Signs and Delineators.....	5-1
5.1.4	Traffic Slowdowns	5-2
5.1.5	Traffic Control Device Movement or Closure Configuration Change	5-3
5.1.6	Lane Shifts and Shoulder Treatment	5-4
5.1.7	Emergency Pull-offs	5-4
5.1.8	Pedestrian and Bicycle Safety	5-4
5.2	Lane, Shoulder and Roadway Closures	5-4
5.2.1	Setup and Removal.....	5-4
5.2.2	Emergency Closures	5-5
5.2.3	Lane Closures	5-5
5.2.4	Shoulder Closures.....	5-6
5.2.5	Closures at Toll Plazas.....	5-7
5.2.6	Ramp and Ramp Area Closures.....	5-8
5.2.7	Mobile Lane Closures.....	5-9
5.2.8	Roadway Closures	5-9
5.3	Maintenance of Work Zones	5-9
5.3.1	Patrolling.....	5-9
5.3.2	Uneven or Rough Pavement	5-9
5.3.3	Restricting Access to Turnpike and Parkway Right of Way.....	5-10
6	COORDINATION WITH OTHER AGENCIES	6-1
6.1	Overview.....	6-1
6.2	Traffic Management and Technology Center	6-2
6.3	Traffic/Incident Monitoring and Response	6-2
7	REFERENCES.....	7-1

APPENDICES

- A TRAFFIC PROTECTION STANDARD DRAWINGS
- B LANE CLOSURE AND SHOULDER CLOSURE TABLES

1 INTRODUCTION

References throughout this Manual to the Standard Drawings, Standard and (Standard) Supplementary Specifications and Design Manual are to the Authority's documents by those names. They are available online as shown in Section 7 (References) and the Traffic Protection Standard Drawings are included in Appendix A of this report.

1.1 Purpose of the Manual

The Manual for Traffic Control in Work Zones (Manual) has been issued by the New Jersey Turnpike Authority (Authority, NJTA) to provide guidelines for temporary traffic control in and through work zones by Authority personnel and by all other entities performing survey, construction or maintenance work on Authority roadways. Nothing contained herein shall be considered as a mandate that overrides the sound engineering judgment of the Authority. This Manual is not intended to restrict or dictate any one situation, but rather is provided as a guide to implement sound, safe and efficient traffic control and to set guidelines regarding roadway responsibilities. This Manual does not supersede any other Authority manual, document or policy.

The policies and procedures in this Manual should be considered while developing Traffic Control Plans or other traffic control methods, while applying for a Traffic Permit or License to Cross, or while otherwise preparing to enter Authority right of way to perform work. This Manual supports the Design Manual's requirements for a proper evaluation of the site-specific constraints and construction procedures during design. The traffic control methods established for each project should be consistent with the general provisions of this Manual, the Design Manual and the Standard and Supplementary Specifications of the Authority. In case of conflicts between this Manual and the Authority's contract documents including the project-specific Supplementary Specifications and plans, the Authority's contract documents shall govern.

1.2 Policy Statement

The Authority serves a pivotal role for the State of New Jersey in managing, operating and maintaining the New Jersey Turnpike and Garden State Parkway, two vitally important north-south freeways. Both the Turnpike and Parkway are in continuous operation twenty-four hours a day, seven days a week, and are among the most heavily traveled roadways in the state.

The Authority has established the policies, operations and procedures described in this Manual and other publications with regard to work zones. All maintenance and construction work on either roadway shall be planned and carried out safely with the goal of maintaining the safe and continuous flow of traffic given work requirements for lane, shoulder, ramp and/or roadway closures. To this end, the scoping, design, scheduling and construction of projects should be accomplished in a manner that will meet the quality requirements of the specifications, plans and contracts with as little interference to traffic as possible while accomplishing the following:

- Provide high standards of safety for workers and the traveling public;
- Minimize congestion and community impacts;
- Provide for adequate access to the roadway to complete the work efficiently.

1.3 Requirements and Responsibilities

The provisions of this Manual are intended to apply to all work zones including all lane, shoulder, ramp and/or roadway closures. These guidelines should be adequate under most conditions, but may require modifications where special situations are encountered. The Chief Engineer must approve any modifications to materials, procedures, specifications, etc. in contract plans by issuing a Change of Plans. Any other modifications to approved procedures and regulations relating to temporary traffic control described in this Manual, the Standard and Supplementary Specifications, the Design Manual, plans or specifications must be approved by the Director of Operations and Chief Engineer.

As described in Subsection 1.4 (Organizational Structure of NJTA), the Engineer, foreman or other designated person in charge is responsible for managing and overseeing work zones along with the NJTA Operations Department and New Jersey State Police (State Police), including lane closures and shoulder closures. This does not relieve the Applicant or other work personnel of any responsibility to install, monitor and remove closures and work zones according to contract documents and the provisions of this Manual. All communications from the Applicant to the Authority, including submittal of lane closure forms and other weekly forms, shall be directed via the Engineer if one is present, or else via the foreman or other designated person in charge.

As defined in Subsection 2.1 (Terminology Definitions), the term "Applicant" covers a broad spectrum of personnel, but most Applicants are contractors and consultants. Contractors are hired by the Authority through contracts administered by the Engineering Department for construction or maintenance projects that must meet design plan requirements and specifications. Consultants are hired by the Authority through contracts administered by the Engineering Department to perform specific tasks as described in the contract agreements including studies, design, data collection, testing, inspection and other items.

For those projects on or affecting the flow of traffic on the Parkway or Turnpike including lane, shoulder or roadway closures, plans and specifications detail the contractor's responsibilities and procedures for installing, maintaining and removing traffic control devices. In addition to work crews employed by the Applicant to complete certain work items, the Applicant shall employ a Traffic Control Coordinator, as defined in Subsection 2.1 (Terminology Definitions), for any project involving traffic control in a work zone.

Applicants and others seeking to enter Authority right of way to perform work shall ensure that all necessary precautions, as described in this Manual, have

New Jersey Turnpike Authority
Manual for Traffic Control in Work Zones

been implemented to provide a safe work zone for the workers as well as the motorists. Workers are to be physically separated or channelized away from traffic at all times, including during the setup and removal of a lane or shoulder closure. Assistance provided by the State Police in handling of traffic is not intended to relieve the Applicant or other work personnel of the full responsibility for the installation of traffic control devices and safety of the traveling public and workers, and full compliance with the provisions of the plans, specifications and this Manual.

All materials and equipment to be utilized for Maintenance and Protection of Traffic shall be as specified in the most recent editions of the Standard Specifications and Supplementary Specifications (both Standard and project-specific). Refer to Subsection 3.3 (Temporary Traffic Control Devices). It is noted that at the discretion of the Chief Engineer and the Director of Operations or as provided in contract documents, some items in this Manual may be deleted, modified or altered to provide a suitable and safe work zone as roadway and traffic conditions warrant.

Refer to the Design Manual, Traffic Protection Standard Drawings (see Appendix A), Standard and Supplementary Specifications in conjunction with this Manual when planning traffic control methods for a project. All Maintenance and Protection of Traffic procedures not covered by the plans, the specifications or this Manual shall conform to the provisions of the most recent edition of the Manual on Uniform Traffic Control Devices (MUTCD) and the current standards and guidelines on work zone traffic control issued by the Federal Highway Administration (United States Department of Transportation). If there are any conflicts between the Authority's documents and the MUTCD, the Authority's documents shall govern. In case of conflicts between this Manual and the Authority's contract documents including the project-specific Supplementary Specifications and plans, the Authority's contract documents shall govern.

Work zones shall be implemented in a safe and efficient manner. Short-term work zones with lane and shoulder closures, as defined in Subsection 2.1 (Terminology Definitions), must be approved by the NJTA Operations Department. Lane and shoulder closures shall conform to the allowable closure hours as defined in the Lane Closure and Shoulder Closure Tables (see Appendix B) or as otherwise approved by the Director of Operations. The Authority may periodically modify the policies and procedures described in this Manual.

1.4 Organizational Structure of New Jersey Turnpike Authority

The Authority has delegated responsibilities to various department heads to enhance safety for motorists and workers alike and minimize the disruption to traffic flow caused by work zones while preserving the ability to accomplish significant work. Together, these Departments and consulting engineers contribute to the development of construction contracts and provision of emergency services for maintaining or improving the Turnpike and Parkway facilities. The roles of these Departments and the State Police do not relieve the Applicant or other work personnel of any responsibilities described in this

New Jersey Turnpike Authority
Manual for Traffic Control in Work Zones

Manual, contained in the Standard or Supplementary Specifications or plans or written into the contract, Traffic Permit, License to Cross, Right of Entry Agreement or Utility Order.

1.4.1 Engineering

The Chief Engineer oversees the NJTA Engineering Department and directly supervises and controls design, construction and major rehabilitation on Authority roadways, bridges and related facilities. The NJTA Engineering Department supervises the preparation of contract documents for construction contracts and ensures that the Authority's engineering standards are upheld throughout work zones. The NJTA Engineering Department may also direct emergency repair work. Throughout this Manual, the term "Chief Engineer" shall be construed as including any designated representative thereof.

Construction work by contractors and some NJTA Maintenance Department projects will be administered by a representative of the NJTA Engineering Department or by an outside consultant hired by the Authority through an Order for Professional Services. In either case, the person supervising the construction of a project shall be referred to as the Engineer, as defined in Subsection 2.1 (Terminology Definitions). The Engineer is the principal liaison between the Applicant (or other work personnel) and the Authority on most construction projects.

Consulting engineering firms are considered extensions of the NJTA Engineering Department. The services of consulting engineers, including the General Engineering Consultant, typically include (but are not limited to) conceptual development, feasibility assessment, contract design services, construction supervision and field inspections to ensure that plans and specifications are met or that an independent engineering analysis is conducted. The Engineer, as defined in Subsection 2.1 (Terminology Definitions), is typically a consulting engineer.

1.4.2 Maintenance

The Director of Maintenance is responsible for maintaining the assets of the Authority, including (but not limited to) roadways, ramps and facilities including toll plazas. In that regard, the NJTA Maintenance Department performs and manages both pre-scheduled and emergency repairs and improvement projects on the New Jersey Turnpike, Garden State Parkway and any other roadways whose maintenance falls within the Authority's jurisdiction. The NJTA Maintenance Department may employ certain types of traffic control that are not typically available to outside entities, as described in Subsection 5.2 (Lane, Shoulder and Roadway Closures). Throughout this Manual, the term "Director of Maintenance" shall be construed as including any designated representative thereof.

Whether managing their own projects, supporting the Engineering Department projects, maintaining the roadways and facilities or

New Jersey Turnpike Authority
Manual for Traffic Control in Work Zones

responding to emergencies, the Maintenance Department may be responsible for installing, maintaining and removing closures at any time and/or performing work within a closure. Unlike outside entities, the Maintenance Department may perform these closures without obtaining a Traffic Permit. The NJTA Maintenance Department implements full roadway closures in conjunction with the NJTA Operations Department and State Police.

The jurisdictional limits of the Turnpike's Maintenance Department Districts are as follows:

- District 1: From Mile 0 to Mile 27
- District 2: From Mile 27 to Mile 50
- District 3: From Mile 50 to Mile 67.2 and Pearl Harbor Memorial Turnpike Extension
- District 4: From Mile 67.2 to Mile 90
- District 5: From Mile 90 to Mile 105
- District 6: From Mile 105 to Mile E118
- District 7: Newark Bay-Hudson County Extension and Interchange 14
- District 8: From Mile 105 to Mile W118 and north of Turnpike on I-95 (Mile 118 to Mile 122)

The jurisdictional limits of the Turnpike's Maintenance Roadway Divisions are as follows:

- Southern Division: Mile 0 to Mile 67.2 including Pearl Harbor Memorial Turnpike Extension
- Northern Division: Mile 67.2 to Mile 122 including Newark Bay – Hudson County Extension

The jurisdictional limits of the Turnpike's Trades Divisions are as follows:

- Southern Division: Mile 0 to Mile 53.3 (Interchange 7)
- Central Division: Mile 53.3 to Mile 90 (Interchange 11)
- Northern Division: Mile 90 to Mile 122 (Northern terminus)

The jurisdictional limits of the Parkway's Maintenance Yards are as follows:

- Yard 1 (Paramus): From Mile 172.3 to Mile 160.1
- Yard 2 (Clifton): From Mile 160.1 to Mile 150.5
- Yard 2U (Union): From Mile 150.5 to Mile 141.5
- Yard 3 (Clark): From Mile 141.5 to Mile 125.0
- Yard 4 (Telegraph Hill): From Mile 125.0 to Mile 106.4
- Yard 4H (Herbertsville): From Mile 106.4 to Mile 91.8
- Yard 5 (Ocean): From Mile 91.8 to Mile 63.8
- Yard 6 (White Horse): From Mile 63.8 to Mile 30.2
- Yard 7 (Swainton): From Mile 30.2 to Mile 0.0

1.4.3 Operations

The Director of Operations oversees the NJTA Operations Department and is responsible for traffic engineering and regulations, emergency services, and the coordination of roadway activities with other NJTA departments through NJTA Operations Department staff and the contracted services of the State Police. Traffic in work zones on both the New Jersey Turnpike and the Garden State Parkway is under the direct supervision and control of the Director of Operations for the Authority, who, through the Engineer, State Police and NJTA Operations Department personnel, enforces the provisions of contracts, specifications and/or plans on the Maintenance and Protection of Traffic. Throughout this Manual, the term "Director of Operations" shall be construed as including any designated representative thereof.

The NJTA Operations Department ensures that the Authority's facilities are operated with the safety of motorists and workers first and foremost. Their goal is to maximize roadway capacity in that light. The NJTA Operations Department is responsible for all matters relating to the safe and efficient movement of traffic, including traffic safety, scheduling closures, issuing Traffic Permits for all activities on Authority property and establishing standards for closures and related traffic control devices. The NJTA Operations Department also staffs the Traffic Management and Technology Center (TMTC). The roles of TMTC staff are described in Subsection 6.2.

The NJTA Operations Department is responsible for approving ramp and mainline lane, shoulder and roadway closures and has the authority to require closures to be picked up based on existing or anticipated field or weather conditions or violations of work zone rules. The NJTA Operations Department is also responsible for approving the use and design of all permanent and temporary (work zone) traffic control, including traffic control devices, and any proposed changes to approved traffic control plans or methods. In all cases, the safety measures employed, the type and quantity of traffic control devices furnished, together with the maintenance thereof, shall be adequate and satisfactory to the Director of Operations.

1.4.4 Tolls

The Director of Tolls oversees the NJTA Tolls Department, whose mission is to provide safe, efficient and friendly service at all NJTA toll facilities. The NJTA Tolls Department is responsible for the collection of tolls and coordination of engineering, maintenance and operations projects within toll plaza areas. Coordination with the NJTA Tolls Department on any project shall be conducted through the NJTA Operations Department.

1.4.5 New Jersey State Police

The Authority contracts with the State Police to enforce the laws of the State and the Regulations of the Authority, namely the established “Regulations Relating to the Control of Traffic on the NJ Turnpike” and “Regulations Governing the Use of the Garden State Parkway”. The State Police directly control all traffic and personnel on Authority right of way, including work crews and the traveling public. The State Police conduct activities such as assistance with lane closures, roadway closures, vehicle escorts and slowdowns in coordination with the NJTA Operations Department as described in Subsection 3.2.4 (State Police Assistance) and/or as provided in contract documents.

Troop D of the State Police is responsible for the New Jersey Turnpike and Troop E is responsible for the Garden State Parkway. The Troop D and Troop E Construction Units specialize in temporary traffic control throughout work zones. Supplemental Patrols may also be provided for work zones. Supplemental Patrols have construction-related traffic control training and assist the Construction Unit in their responsibilities.

1.5 Lane Closure and Shoulder Closure Tables

The Lane Closure and Shoulder Closure Tables, which are included in Appendix B, indicate when mainline lane and shoulder closures may be scheduled in non-emergency short-term work zones to maintain the flow of traffic. Short-term work zones typically involve the use of cones for traffic control and also include:

- Supplemental closures to long-term work zones or High-Intensity Construction Cycles (HICCs) for access or traffic control changes;
- Closures used to establish traffic control for long-term work zones.

The Lane Closure and Shoulder Closure Tables do not apply to all conditions. Examples of exceptions are:

- Short-term work zones extending within 1,000 feet of ramp termini;
- Near an off-ramp that may periodically queue;
- In the vicinity of a toll plaza;
- Any mileposts between two tables or not covered under any table.

The NJTA Operations Department will determine in what situations the Lane Closure and Shoulder Closure Tables apply, and will provide the appropriate lane and shoulder closure hours for other conditions. The most restrictive table shall be applied to the entire work zone unless the NJTA Operations Department approves a work zone configuration conforming to all applicable Lane Closure and Shoulder Closure Tables. Follow the Authority’s Traffic Closure Request Procedure when requesting a lane closure or shoulder closure.

2 GLOSSARY

2.1 Terminology Definitions

<i>Applicant</i>	The individual, partnership, firm, corporation or any combination thereof seeking to perform any activities within Authority right of way, including performing work under a License to Cross (LTC) and entering the right of way with a Right of Entry (ROE). The NJTA Maintenance Department or other Authority forces are not Applicants, but the guidelines and provisions of this Manual still apply regarding any activities within Authority right of way.
<i>Designer</i>	The individual, partnership, firm, corporation or any combination thereof planning or designing traffic control within Authority right of way or modifying plans or designs for traffic control within Authority right of way.
<i>Engineer</i>	The Engineer is a representative of the NJTA Engineering Department or consulting engineering firm assigned to oversee the execution of a project (also known as a project engineer or resident engineer). The Engineer represents the Authority and ensures that the Applicant abides by the plans, specifications and all the other requirements of the contract and/or other project documents. The Engineer acts as a liaison between the Applicant and other entities (Authority, State Police, etc.).
<i>High-Intensity Construction Cycle (HICC)</i>	HICCs are continuous work cycles (24 hours a day) that are needed to accomplish certain tasks such as bridge repair. The hours of approved HICCs are established by the NJTA Operations Department as noted in contract documents to complete the required work while minimizing impacts to traffic.

**New Jersey Turnpike Authority
Manual for Traffic Control in Work Zones**

Interchange	<p>Garden State Parkway: One or more ramps that connect between the Parkway and other roadways with a distinct exit number. Parkway interchanges may have toll plazas on one or more ramps, or may have no toll plazas. Parkway interchanges may not allow all movements to and from both directions of all roadways. The definition of “Interchange” does not include mainline Parkway toll plazas.</p> <p>New Jersey Turnpike: A location where there is a mainline or ramp toll plaza, numbered consecutively from south to north. North of Interchanges 18E/18W, an Interchange is defined as one or more ramps that connect between the Turnpike and other roadways with a distinct exit number. A general reference to an Interchange on the Turnpike may also refer to the ramps at that Interchange (for example, “Interchange 15E” may include all ramps to and from the toll plaza) depending on context.</p>
License to Cross (LTC)	Work not contracted by the Authority that crosses Authority right of way and may impact traffic, such as utility work.
Long-Term Work Zone	<p>The term “long-term” work zone, as used in this Manual, is considered to include closure category A from the MUTCD:</p> <p style="padding-left: 40px;">A. <i>Long-term stationary</i> is work that occupies a location more than 3 days.</p> <p>Long-term work zones typically do not involve lane closures. Supplemental lane closures of a temporary nature within a long-term work zone are considered short-term closures.</p>
New Jersey Turnpike Authority (NJTA; Authority)	The Authority is responsible for the engineering, operations, maintenance and administrative tasks associated with the New Jersey Turnpike and the Garden State Parkway .
Off-season	The Off-Season (or Spring/Fall and Winter seasons) is defined in each of the Lane Closure and Shoulder Closure Tables (see Appendix B).
Right of Entry (ROE)	<p>Legal permission granted either:</p> <ul style="list-style-type: none"> • By the Authority for an outside entity to enter or cross Authority right of way as part of a non-Authority project; or • By an outside entity for the Authority, Authority’s consultant or Authority’s contractor to enter that entity’s right of way as part of an Authority project.

**New Jersey Turnpike Authority
Manual for Traffic Control in Work Zones**

<p>Short-Term Work Zone</p>	<p>The term “short-term” work zone, as used in this Manual, is considered to include work zone categories B through E (excepting HICCs) from the MUTCD:</p> <ul style="list-style-type: none"> B. <i>Intermediate-term stationary</i> is work that occupies a location more than one daylight period up to 3 days, or nighttime work lasting more than 1 hour. C. <i>Short-term stationary</i> is daytime work that occupies a location for more than 1 hour within a single daylight period. D. <i>Short duration</i> is work that occupies a location up to 1 hour. E. <i>Mobile</i> is work that moves intermittently or continuously. <p>Short-term work zones also include those closures delineated by cones that supplement long-term work zones, such as during the installation or removal of barrier, for access to a work area or for modification of traffic control.</p>
<p>Standard Specifications</p>	<p>The NJTA Standard Specifications as referenced in Section 7 (References). The project-specific Supplementary Specifications should be consulted for any provisions that may override or amend the Standard Specifications.</p>
<p>Summer</p>	<p>The Summer season is defined in each of the Lane Closure and Shoulder Closure Tables (see Appendix B).</p>
<p>Supplementary Specifications</p>	<p>The NJTA Standard Supplementary Specifications as referenced in Section 7 (References), including any provisions in project-specific Supplementary Specifications that may override or amend the Standard Supplementary Specifications. The Supplementary Specifications append the Standard Specifications.</p>
<p>Traffic Control Coordinator</p>	<p>Applicant designee in work zones involving traffic control whose duties and requirements are as described in the Supplementary Specifications.</p>
<p>Traffic Control Supervisor</p>	<p>NJTA Operations Department designee who assists the State Police with traffic slowdowns and the installation, maintenance and removal of traffic control devices, among other responsibilities. The Traffic Control Supervisor ensures that all regulations pertaining to closures and traffic control are followed. This term is distinct from the Traffic Control Coordinator.</p>
<p>Work Area</p>	<p>The work area is the location(s) within the work zone where work is actually being performed. The work area is located behind a cone line or barrier.</p>

New Jersey Turnpike Authority
Manual for Traffic Control in Work Zones

Work Zone	The entire area of Authority right of way affected by construction or maintenance work, beginning from the start of the first taper, cone line or barrier and concluding at the end of the last taper, cone line or barrier. Work zone signs erected in advance of or beyond the work zone are considered to be included within the limits of work.
------------------	---

2.2 Roadway Names and Locations

Dual-Dual	Section of the Turnpike between approximately MP 73.0 (south of Interchange 8A) and 106.0 (north of Interchange 14) where the Turnpike consists of two separate roadways in each direction, the Inner and Outer Roadways .
Easterly Alignment	Turnpike roadway between the Southern and Northern Mixing Bowls that serves Interchange 15E, Interchange 15W to/from the north, Interchange 15X (the NJ Transit Secaucus Junction Station), Interchanges 16E and 17 (Secaucus, NJ Route 495 and the Lincoln Tunnel) and Interchange 18E.
Express Roadway	<p>Turnpike: The interior roadway of the Turnpike Extension with connections at Interchanges 68, 69, 73 and the George Washington Bridge. Refer to the definitions of NS95X and SN95X in Subsection 2.3 (Roadway Designations – N.J. Turnpike), “Route I-95”.</p> <p>Parkway: The two- to three-lane interior roadway of the section of the Parkway between approximate mileposts 104.0 (north of the Asbury Toll Plaza) and 125.5 (south of the Raritan Toll Plaza). The Express Roadway has connections to and from Interchange 105, Interchange 117 and the Cheesecake Service Area. The Express Roadway also has “crossover” connections to and from the Local Roadway just south of Interchange 117 in both directions.</p>
Garden State Parkway (Parkway)	The Parkway is a 172-mile limited-access toll road that extends the length of New Jersey from Cape May at the southern tip of the state to the New York state line at Montvale, New Jersey. It continues in New York State under NY State Thruway Authority jurisdiction.
Inner Roadway	The three-lane interior roadway of the Dual-Dual section of the Turnpike that typically operates by only allowing car access. This roadway may open to mixed-use traffic to balance congestion, manage incidents, or allow closures of or within the Outer Roadway .

New Jersey Turnpike Authority
Manual for Traffic Control in Work Zones

<p>Local Roadway</p>	<p>Turnpike: The exterior roadway of the Turnpike Extension with connections to all interchanges. Refer to the definitions of NS95L and SN95L in Subsection 2.3 (Roadway Designations – N.J. Turnpike), “Route I-95”.</p> <p>Parkway: The three- to four-lane exterior roadway of the section of the Parkway between approximate mileposts 104.0 (north of the Asbury Toll Plaza) and 125.5 (south of the Raritan Toll Plaza). The Local Roadway has connections to all interchanges between those mileposts.</p>
<p>New Jersey Turnpike (Turnpike)</p>	<p>The Turnpike is a 122-mile limited-access toll road that extends from the vicinity of the Delaware Memorial Bridge (Route I-295) in Salem County, southwestern New Jersey to the vicinity of the George Washington Bridge (Route I-95) in Bergen County, northeastern New Jersey. The Turnpike includes two named extensions: the Newark Bay – Hudson County Extension and the Pearl Harbor Memorial Turnpike Extension. Authority jurisdiction extends from Delaware River and Bay Authority (DRBA) jurisdiction at the US Route 130 overpass (south of Interchange 1) to Port Authority of NY and NJ (PANYNJ) jurisdiction at the Fletcher Avenue overpass (at Interchange 72).</p>
<p>Newark Bay – Hudson County Extension (NBHCE)</p>	<p>Turnpike roadway (Route I-78) extending from Interchange 14 of the Turnpike east across Newark Bay to Port Authority of NY and NJ (PANYNJ) jurisdiction at the Holland Tunnel approach (NJ Route 139). Interchanges 14A, 14B and 14C are located on the NBHCE.</p>
<p>Northern Mixing Bowl (NMB)</p>	<p>The area on the Turnpike from approximately MP 116.6 to MP 117.4 where traffic from Routes I-80 and I-95 / George Washington Bridge is split into the Easterly and Westerly Alignments and vice versa.</p>
<p>Outer Roadway</p>	<p>The two- to four-lane exterior roadway of the Dual-Dual section of the Turnpike that typically operates by allowing mixed-use (car, truck and bus) access.</p>
<p>Pearl Harbor Memorial Turnpike Extension (PHMTE)</p>	<p>Turnpike roadway extending from approximately MP 51.0 of the Turnpike west to the Delaware River, meeting Pennsylvania Turnpike Commission jurisdiction at the state line. Interchange 6 (the mainline toll plaza) and Interchange 6A (ramps to and from US Route 130 west of the Interchange 6 toll plaza) are located on the PHMTE.</p>
<p>Southern Mixing Bowl (SMB)</p>	<p>The area on the Turnpike from approximately MP 105.7 to MP 106.6 where traffic from the Inner and Outer Roadways is split into the Easterly and Westerly Alignments and vice versa.</p>

**New Jersey Turnpike Authority
Manual for Traffic Control in Work Zones**

Turnpike Extension (Route I-95)	Turnpike roadway north of the Northern Mixing Bowl extending to the end of Authority jurisdiction at the Fletcher Ave. (US Route 9W) overpass in Fort Lee. The Turnpike Extension includes Interchanges 68-72.
Westerly Alignment	Turnpike roadway between the Southern and Northern Mixing Bowls that serves Interchange 15E (except from the south to the Interchange), Interchange 15W (Interstate 280), Interchange 16W (NJ Route 3 and the Meadowlands), Interchange 18W and the Meadowlands Sports Complex interchange.

2.3 Roadway Designations (Abbreviations) – N.J. Turnpike

Interchanges (General)

Abbreviation	Description	Abbreviation	Description
NT	From North to Toll	ST	From South to Toll
TN	From Toll to North	TS	From Toll to South
ET	From East to Toll	WT	From West to Toll
TE	From Toll to East	TW	From Toll to West
TNO	From Toll to North Outer	TSO	From Toll to South Outer
TNI	From Toll to North Inner	TSI	From Toll to South Inner
TNE	From Toll to North on Easterly	TSE	From Toll to South on Easterly
TNW	From Toll to North on Westerly	TSW	From Toll to South on Westerly
NIT	From North Inner to Toll	SIT	From South Inner to Toll
NOT	From North Outer to Toll	SOT	From South Outer to Toll
NET	From North on Easterly to Toll	SET	From South on Easterly to Toll
NWT	From North on Westerly to Toll	SWT	From South on Westerly to Toll

**New Jersey Turnpike Authority
Manual for Traffic Control in Work Zones**

INENT	From Toll to Turnpike	INEXT	From Turnpike to Toll
OSENT	From External (non-Turnpike) Roadway to Toll	OSEXT	From Toll to External (non-Turnpike) Roadway (NJTA jurisdiction)

Interchange 1 (Delaware Memorial Bridge)

Abbreviation	Description	Abbreviation	Description
Connector B	From Route 551 to North on Route I-295	Connector K	From North on Route I-295 to Route 551

Interchange 10 (Route 287/440)

Abbreviation	Description	Abbreviation	Description
AT	From East on Woodbridge Avenue to Toll	BT	From West on Woodbridge Avenue to Toll
TA	From Toll to East on Woodbridge Avenue	TL	From Toll to West on Woodbridge Avenue
WK	From West on Woodbridge Avenue to West on Route 440	WL	From West on Route 440 to West on Woodbridge Avenue
WM	From East on Route 440 to West on Woodbridge Avenue	WP	From East on Woodbridge Avenue to East on Route 440
WR	From West on Woodbridge Avenue to East on Route 440	WS	From West on Route 440 to East on Woodbridge Avenue
WU	From East on Route 440 to East on Woodbridge Avenue	WW	From East on Woodbridge Avenue to West on Route 440

**New Jersey Turnpike Authority
Manual for Traffic Control in Work Zones**

Interchange 11 (Garden State Parkway Interchange 129)

Abbreviation	Description	Abbreviation	Description
PST	Parkway from the South to Toll	PNT	Parkway from the North to Toll
TPN	From Toll to Parkway North	TPS	From Toll to Parkway South
TK	From Tolls to King Georges Road/Route 9	KT	From King Georges Road/Route 9 to Tolls
TKE	From Tolls/Parkway to King Georges Road East	TKW	From Tolls/Parkway to King Georges Road West
KET	From East on King Georges Road to Tolls/Parkway	KWT	From West on King Georges Road to Tolls/Parkway
KPN	From King Georges Road/Route 9 to North on Parkway	PNK	From North on Parkway to King Georges Road/Route 9

Interchange 12 (Carteret)

Abbreviation	Description	Abbreviation	Description
ET1	From East on Roosevelt Avenue to Toll	ET2	From East on Industrial Avenue to Toll
TE1	From Toll to East on Roosevelt Avenue	TE2	From Toll to East on Industrial Avenue
ET1/WT	From Roosevelt Avenue (East and West combined) to Toll		

Interchange 13 (I-278)

Abbreviation	Description	Abbreviation	Description
BT	From Relocated Brunswick Avenue to Toll	TL	From Toll to Relocated Brunswick Avenue

**New Jersey Turnpike Authority
Manual for Traffic Control in Work Zones**

Interchange 13A (Newark Airport)

Abbreviation	Description	Abbreviation	Description
TWX	From Toll to West Express (Route 81)	TWL	From Toll to West Local (North Ave.)
WXT	From West Express (Route 81) to Toll	WLT	From West Local (North Ave.) to Toll
TJ	From Toll to Jersey Gardens Boulevard	JT	From Jersey Gardens Boulevard to Toll

Interchange 15E (US Route 1/9 Truck)

Abbreviation	Description	Abbreviation	Description
Ramp A	From South on US 1/9 to East on US 1/9 Truck	Ramp V	From West on US 1/9 Truck to Toll
Ramp AV	From South on US 1/9 to Toll		
LT	From Local (Doremus Avenue) to Toll	TL	From Toll to Local (Doremus Avenue)

Interchange 15W (I-280)

Abbreviation	Description	Abbreviation	Description
Ramp J	From West on I-280 to West on Route 508	Ramp M	From West on Route 508 to West on I-280

Interchange 15X (Laurel Hill)

Abbreviation	Description	Abbreviation	Description
TE/ET	To/from Toll and from/to Seaview Drive		

**New Jersey Turnpike Authority
Manual for Traffic Control in Work Zones**

Interchange 16E/17 (Lincoln Tunnel)

Abbreviation	Description	Abbreviation	Description
LT	From Local (Paterson Plank Road) to Interchange 16E Toll	TL	From Interchange 17 Toll to Local (Paterson Plank Road)
Ramp B	From West on Route 3 Local to East on Route 495	Ramp C	From East on Route 3 to Ramp ET
Ramp F	From East on Route 495 to Ramp ET	Ramp H	From Interchange 16E Toll to East on Route 3
Ramp J	From West on Route 3 to East on Route 495	Ramp K	From East on Route 3 to East on Paterson Plank Road
Ramp L	From West on Paterson Plank Road to West on Route 3	Ramp M	From West on Paterson Plank Road to East on Route 3
Ramp O	From West on Route 3 to East on Paterson Plank Road	Ramp P	From Interchange 16E Toll to Ramp PQ
Ramp P (Route 3)	From East on Route 3 to West on Paterson Plank Road	Ramp PQ	From Ramp P and Ramp Q to Paterson Plank Road
Ramp Q	From Interchange 17 Toll to Ramp PQ	Ramp Q (Route 3)	From East on Paterson Plank Road to West on Route 3
Ramp T	From West on Route 3 to Interchange 16E Toll	Ramp U	From West on Route 3 Local to Ramp ET
Ramp W	From Local (County Avenue) to Interchange 16E Toll	Ramp Y	From East on Paterson Plank Road to Ramp T
Ramp Z	From West on Route 3 to West on Paterson Plank Road	XBL	Express Bus Lane Ramp to East on Route 495 Westbound Side

**New Jersey Turnpike Authority
Manual for Traffic Control in Work Zones**

Mainline

Abbreviation	Description	Abbreviation	Description
NS	From North to South	SN	From South to North
NSO	From North to South Outer	SNO	From South to North Outer
NSI	From North to South Inner	SNI	From South to North Inner
NSW	From North to South Westerly	SNW	From South to North Westerly
NSE	From North to South Easterly	SNE	From South to North Easterly

Miscellaneous

Abbreviation	Description	Abbreviation	Description
ZT	Z-Turn	UM	Median U-Turn
UTO	U-Turn Overpass	UTU	U-Turn Underpass
TMC	Statewide Transportation Management Center (STMC) parking lot roadways	MACK	Authority Administration Building (Mack-Cali) parking lot roadways
ADMIN	Former Authority Administration Building (East Brunswick) parking lot roadways	Ramp A	From Port Reading Avenue to Relocated Port Reading Avenue (in Woodbridge)

Newark Bay – Hudson County Extension (NBHCE) and Interchange 14

Abbreviation	Description	Abbreviation	Description
NH	From North to Hudson	SH	From South to Hudson
NOH	From NT-14 (Outer) Roadway to Hudson	HNO	From Hudson to TN-14 (Outer) Roadway
SOH	From South Outer to Hudson	SIH	From South Inner to Hudson

**New Jersey Turnpike Authority
Manual for Traffic Control in Work Zones**

HLT	From Hudson to Local and Toll	HXT	From Hudson to Express and Toll
HEW	From East to West on Hudson	HWE	From West to East on Hudson
HS	From Hudson to South	HN	From Hudson to North
TH	From Toll to Hudson	LTA	From Toll/Local to North on US 1/9 and Airport
XTW	From Toll to West Express	LTW	From Toll to West Local
WXT	From West Express to Toll	WLT	From West Local to Toll
EXT	From East (Newark Airport) to Toll	ALT	From North on US 1/9 and Airport to Toll
Ramp A	From Grand Street to HEW Roadway	Ramp B	From HWE Roadway to Grand Street

Northern Mixing Bowl (NMB)

Abbreviation	Description	Abbreviation	Description
SNE-95	From South to North on Easterly to Interstate 95	NS95-E	From North to South on Interstate 95 to Easterly
SNE-80	From South to North on Easterly to Interstate 80	NS80-E	From North to South on Interstate 80 to Easterly
SNW-95	From South to North on Westerly to Interstate 95	NS95-W	From North to South on Interstate 95 to Westerly
SNW-80	From South to North on Westerly to Interstate 80	NS80-W	From North to South on Interstate 60 to Westerly

**New Jersey Turnpike Authority
Manual for Traffic Control in Work Zones**

Pearl Harbor Memorial Turnpike Extension (PHMTE)

Abbreviation	Description	Abbreviation	Description
PEW	From East to West on Pearl Harbor Extension	PWE	From West to East on Pearl Harbor Extension
LW	From Interchange 6A (Route 130) to West	WL	From West to Interchange 6A (Route 130)
LT	From Interchange 6A to East/Toll	TL	From East/Toll to Interchange 6A
NTW	From North on Route 130 to Toll	STW	From South on Route 130 to Toll
TWN	From Toll to North on Route 130	TWS	From Toll to South on Route 130
LWT	From Local (Route 130) to Toll	TWL	From Toll to Local (Route 130)

Route I-95

Abbreviation	Description	Abbreviation	Description
NS95	From North on Interstate 95 to South	SN95	From South to North on Interstate 95
NS80	From North on Interstate 80 to South	SN80	From South to North on Interstate 80
SNL	From South to North on Local	SNX	From South to North on Express
NSL	From North to South on Local	NSX	From North to South on Express
NS95L	From North on Route 95 Local to South	SN95L	From South to North on Route 95 Local
NS95X	From North on Route 95 Express to South	SN95X	From South to North on Route 95 Express
NLW	From North on Local to West	WNL	From West to North on Local
NXW	From North on Express to West	WNX	From West to North on Express

**New Jersey Turnpike Authority
Manual for Traffic Control in Work Zones**

CD	From South to Interchange 70 Collector/Distributor	WCD	From West to Interchange 70 Collector/Distributor
ES	From Interchange 70 to South	ESL	From East to South on Local
SLE	From South on Local to East	SLW	From South on Local to West
NLX	From North on Local to Express	SLX	From South on Local to Express
CSL	From North Marginal Street to South Local	WSL	From West to South Local

Service Areas (General)

Abbreviation	Description	Abbreviation	Description
SSA	From South to Service Area	NSA	From North to Service Area
SAS	From Service Area to South	SAN	From Service Area to North
SASO	From Service Area to South Outer	SASI	From Service Area to South Inner
SANO	From Service Area to North Outer	SANI	From Service Area to North Inner
SOSA	From South Outer to Service Area	SISA	From South Inner to Service Area
NOSA	From North Outer to Service Area	NISA	From North Inner to Service Area

**New Jersey Turnpike Authority
Manual for Traffic Control in Work Zones**

Service Area 13 (Vince Lombardi)

Abbreviation	Description	Abbreviation	Description
SESA	From South on Easterly to Service Area	NESA	From North on Easterly to Service Area
SWSA	From South on Westerly to Service Area	NWSA	From North on Westerly to Service Area
SASE	From Service Area to South Easterly	SASW	From Service Area to South Westerly
SANW	From Service Area to North Westerly		
WEAVE	Internal ramp where all ramps merge (Weave together)	SANS	From Service Area to Weave
CARSA	Ramp committing Cars Only to Service Area lot	TRSA	Ramp committing Trucks Only to Service Area lot
SEWSA	From merge of SESA and SWSA ramps to Service Area	SASEW	From Service Area to diverge of SASE and SASW ramps

Southern Mixing Bowl (SMB)

Abbreviation	Description	Abbreviation	Description
SNO-E	From South to North on Outer to Easterly	NSE-O	From North to South on Easterly to Outer
SNO-W	From South to North on Outer to Westerly	NSW-O	From North to South on Westerly to Outer
SNI-E	From South to North on Inner to Easterly	NSE-I	From North to South on Easterly to Inner
SNI-W	From South to North on Inner to Westerly	NWS-I	From North to South on Westerly to Inner
TN-14	From Interchange 14 to North	NT-14	From North to Interchange 14

**New Jersey Turnpike Authority
Manual for Traffic Control in Work Zones**

TNW-14	From TN-14 Roadway to North Westerly	TNE-14	From TN-14 Roadway to North Easterly
NWT-14	From North Westerly to NT-14 Roadway	NET-14	From North Easterly to NT-14 Roadway

Sports Complex

Abbreviation	Description	Abbreviation	Description
NWC	From North on Westerly to Complex	CNW	From Complex to North on Westerly
CSW	From Complex to South on Westerly	CW	From Complex to diverge of CNW and CSW ramps
LT	From Local (South Service Road) to Toll	TL	From Toll to Local (South Service Road)
CT	From Complex to Interchange 16W	TC	From Interchange 16W to Complex
TC-1	From Interchange 16W to Parking Area		

2.4 Roadway Designations (Abbreviations) – G.S. Parkway

Abbreviation	Description	Abbreviation	Description
N	Northbound Mainline	S	Southbound Mainline
NBO	Northbound Outer (Local Roadway)	SBO	Southbound Outer (Local Roadway)
NBI	Northbound Inner (Express Roadway)	SBI	Southbound Inner (Express Roadway)
NBX	Northbound Exit	SBX	Southbound Exit
NBE	Northbound Entrance	SBE	Southbound Entrance

See the Authority's Procedures Manual for the use and nomenclature of these Parkway designations.

3 WORK ZONE POLICIES

3.1 Approval Process

3.1.1 Traffic Permit and Other Permits

The Traffic Permit is required for any work within Authority right of way by Applicants (excluding Authority employees). In addition to the Traffic Permit, the NJTA Operations Department may require the Applicant to submit the Manpower and Equipment Inventory form (available on the Authority's website) for certain types of consultant work.

The Traffic Permit is defined and the application process is described in the Standard and Supplementary Specifications. Different application processes may apply to work not governed by an Authority contract. The Traffic Permit Application Form and Instructions can be found online at the Authority's website:

<http://www.state.nj.us/turnpike/nj-buss-tpermitapp.htm>

Failure to update the Traffic Permit (or Manpower and Equipment Inventory form if applicable) as required will result in suspension of the Traffic Permit and denial of closure requests until the information is received.

Other types of permits that may be obtained are License to Cross (LTC) and Right of Entry (ROE), as defined in Subsection 2.1 (Terminology Definitions). The LTC and ROE will require a Traffic Permit if work will be done within Authority right of way. The LTC Application Form and Instructions can be found online at the Authority's website:

<http://www.state.nj.us/turnpike/nj-buss-cross.htm>

3.1.2 Insurance

Refer to the Standard and Supplementary Specifications for a description of the insurance required on construction contracts. Non-contract License to Cross (LTC) and Right of Entry (ROE) work will require insurance as defined in the agreements. Orders for Professional Services (OPS's) will also require insurance as defined in the OPS. The Authority reviews each project on a case-by-case basis and determines the necessary insurance depending on the specific nature of the work.

The minimum amount of insurance is noted in the Traffic Permit Application, which may be found at the Authority's website as indicated in Subsection 3.1.1 (Traffic Permit and Other Permits). A Traffic Permit Application will not be processed without the necessary insurance. All vehicles, trailers and roadway equipment must hold valid applicable registration and insurance as required by the State of New Jersey.

3.1.3 Training Class

All Applicants for Traffic Permits will be required to attend a training class conducted by the State Police in conjunction with the Authority to learn lane/shoulder closure and work zone procedures. Attendance at the training class by the following workers is required in order to obtain a Traffic Permit:

- At least three members of the lane closing crew:
 - Driver of the Traffic Control Truck;
 - Driver of the Cone Truck;
 - Traffic control device installer.
- Supervising engineering staff:
 - Engineer (Resident Engineer);
 - Inspectors.
- Applicant's superintendent or foreman.

The training class is an integral part of personnel safety; refer to Subsection 4.4 (Personnel Safety) and the Supplementary Specifications.

3.2 Ramp and Mainline Lane, Shoulder and Roadway Closures

3.2.1 Overview

The policy of the Authority is to limit lane and shoulder closures to the minimum required to perform the necessary work in a safe, efficient and timely manner. A closure will only be permitted in accordance with this Manual when the closure enables the accomplishment of significant work that would not otherwise be feasible or efficient. The availability of a closure as discussed in this Subsection of the Manual is not in itself sufficient grounds to perform the closure. Closures will only be allowed at such times, to such limits and in such a manner that the safety of the traveling public will be maximized through the closure and the flow of traffic through the work zone will be maintained. Closures shall be of the shortest physical length and time duration necessary to perform the required work. Refer to the Supplementary Specifications, the Design Manual and the Traffic Protection Standard Drawings (see Appendix A).

If applicable, project roadway and construction staging plans should be consulted to determine when and what type of closures will be necessary for safe and productive work zone operations. Different requirements will pertain to short-term work zones, long-term work zones and HICCs as defined in Subsection 2.1 (Terminology Definitions). A long-term work zone with a lane shift may be employed to prevent the closure of a lane of travel for multiple days. Allowable short-term closure hours are described in Subsection 1.5 (Lane Closure and Shoulder Closure Tables).

Exceptions to the allowable hours for short-term closures should be determined during the design phase of the project and should be included

New Jersey Turnpike Authority
Manual for Traffic Control in Work Zones

in the plans or contract documents with the approval of the Director of Operations. The Applicant or other work personnel should not consider exceptions to the allowable hours unless dictated by exceptional circumstances. Requests to modify allowable closure hours must be submitted for the approval of the Director of Operations by the Engineer (or other designated person in charge if the project is not assigned an Engineer).

All field requests to extend allowable closure hours for a closure already in place (such as if actual traffic volumes are lighter than anticipated) must be submitted for the approval of the Director of Operations by the Engineer (or other designated person in charge if the project is not assigned an Engineer). The Authority and State Police may require the closure to be removed due to queue lengths, incidents or any other reason during approved extended hours as described in Subsection 3.2 (Ramp and Mainline Lane, Shoulder and Roadway Closures).

Within a short-term work zone, work shall commence immediately upon placement of the closure and the closure shall be removed immediately upon conclusion of the work. To maximize the safe and efficient movement of the traveling public, short-term lane closures will not be allowed to remain in place when no work is being performed or insufficient forces are working within the closure, as determined by the NJTA Operations Department. Short-term shoulder closures may only remain in place when no work is being performed if approved by the NJTA Operations Department or as identified in the contract documents.

A short-term supplemental lane closure is installed to deliver material or equipment to a work area, to install or remove a long-term work zone or to change the configuration of a work zone. The NJTA Operations Department may authorize a traffic slowdown where an additional lane cannot be closed for these purposes. The closure of a supplemental lane is subject to maintaining the minimum number of required through lanes according to the Lane Closure Tables unless otherwise approved by the Director of Operations. Requests for supplemental lane closures shall be submitted by the Engineer to the NJTA Operations Department in the same manner as any other lane closure request.

Procedures relating to setup and removal of all types of closures are discussed in Subsection 5.2 (Lane, Shoulder and Roadway Closures). The policies described in Subsection 3.2 (Ramp and Mainline Lane, Shoulder and Roadway Closures) apply to all Authority roadways, including ramp and mainline toll plaza areas. Refer to the Design Manual and the Supplementary Specifications regarding closures.

3.2.2 Authority to Allow / Prohibit Closures

The NJTA Operations Department and State Police have the authority to delay the time that a closure may be installed or to require a closure to be removed prior to the scheduled removal time. When instructed by the

NJTA Operations Department or the State Police, the Engineer will have the Applicant or other work personnel promptly remove the lane or shoulder closure to restore normal traffic flow. Some of the reasons for curtailing or prohibiting scheduled closures are described in Subsection 3.2.5 (Restrictions on Closures).

The NJTA Operations Department, State Police and the Engineer all have the authority to prohibit the placement or require the removal of any closure that creates or may create hazardous traffic conditions. Refer to the Supplementary Specifications for further regulations regarding allowing or prohibiting closures. Excessive hazardous conditions or violations may be cause to revoke the Traffic Permit.

3.2.3 Closure Request Process

As described in Subsection 1.4 (Organizational Structure of NJTA), only the NJTA Operations Department may approve the scheduling of a lane, shoulder, ramp or roadway closure. If a conflict arises between two or more applications for a lane or shoulder closure, the Departments of the Authority will determine the priority of each application. The Applicant or other work personnel should coordinate work to minimize conflicts as described in the Standard Specifications.

A list of pre-approved taper points will be provided by the NJTA Operations Department for most projects. The list may be included on the plans or within the project-specific Supplementary Specifications. On some projects, allowable taper points will be provided by the NJTA Operations Department or the State Police during construction. Any taper point that has not been issued by the NJTA Operations Department or the State Police must be submitted by the Engineer for approval by the Director of Operations before it is used unless an alternative approval method is specified by contract documents.

The Authority's Toll Lane Closing Request (Parkway only) and Lane Closing Request Forms shall be submitted according to the Authority's Traffic Closure Request Procedure.

3.2.4 State Police Assistance

All communications and requests from the Applicant or other work personnel to the State Police are to be directed via the Engineer (or other designated person in charge if no Engineer is assigned to the project) to the Operations Department. The State Police will provide a Construction Unit Patrol for assistance when required. A Supplemental Patrol may be provided for mobile patrols through closures or other tasks. Refer to Subsection 1.4.5 (New Jersey State Police). When allowable closure hours are extended as described in Subsection 3.2.1 (Overview), the Applicant or other work personnel may request an extension of the Construction Unit and/or Supplemental Patrols.

The installation or removal of any type of lane closure on Authority roadways, ramps or toll plazas shall be performed with the assistance of the State Police (using a traffic slowdown) where the Supplementary Specifications state such assistance is required on the Turnpike and Parkway. Where the Supplementary Specifications do not state such assistance is required, the Applicant should request assistance through the Engineer and proceed after determining if assistance is available. The installation or removal of any type of shoulder closure may be performed without the assistance of the State Police. The Applicant or other work personnel will be advised of any exceptions by the Engineer or the NJTA Operations Department. The assistance provided by the State Police (or the lack of such assistance) does not relieve the Applicant or other work personnel of the full responsibility to close or reopen lanes in a safe manner for workers and the traveling public.

3.2.5 Restrictions on Closures

The NJTA Operations Department must approve any exceptions to the lane and shoulder closure restrictions shown in the Lane Closure and Shoulder Closure Tables (see Appendix B), described in this Subsection and included in the plans or Supplementary Specifications. Restrictions requiring coordination with other agencies will be provided by the NJTA Operations Department on a case-by-case basis. As described in Section 6 (Coordination with Other Agencies), both the Authority and the Applicant or other work personnel are responsible for coordination.

When a proposed closure extends within 1,000 feet of an interchange or service area ramp, measured from the physical nose of the ramp in either direction to any part of the closure (cone or barrier segment, including tapers), the NJTA Operations Department will advise of any additional restrictions to be imposed on allowable lane closure hours or any required traffic mitigation. The NJTA Operations Department may modify allowable closure hours from what is shown in the Lane Closure and Shoulder Closure Tables based on specific roadway conditions and work zone characteristics.

3.3 Temporary Traffic Control Devices

Temporary traffic control includes furnishing, installing, transporting, relocating, maintaining, covering and removing all directional, guide and warning devices required in a work zone. Refer to the Supplementary Specifications and the Traffic Protection Standard Drawings (see Appendix A). Procedures for placement and removal of traffic control devices are discussed in Subsection 5.2.1 (Setup and Removal).

3.3.1 Work Zone Signs

Temporary work zone signs shall be placed as depicted in the plans or Standard Drawings to maintain the safe and efficient flow of traffic

through the work zone. For work zones that are not depicted in the plans or Standard Drawings:

- Related Standard Drawings and the MUTCD shall be used as a guide to establish the minimum requirements for sign placement.
- The NJTA Operations Department shall be consulted for a determination of work zone treatment.
- The specific locations of signs for each work zone shall be depicted in plans and approved by the Engineer.
- Traffic control signs for work zones that encompass an on- or off-ramp may require plan-specific locations in lieu of a field determination due to the complexity of the work zone closure.

Work zone signs shall conform to the Standard and Supplementary Specifications, Traffic Protection Standard Drawings and the plans. Chamfered signs may be required when there is limited lateral clearance, such as on barriers. Unless otherwise specified by Authority documents, all signs and sign mounts shall conform to applicable provisions in the current MUTCD and FHWA Standard Highway Signs Manual.

Placement, field adjustment and removal of work zone signs shall be as noted in the Supplementary Specifications and the Standard Drawings. The use of temporary signs that are mounted on “Windmaster” or equivalent approved temporary frames shall be as described in the plans and Standard Drawings and as directed by the Engineer. Refer to Subsection 3.3.2 (Temporary Sign Stands and Frames).

3.3.2 Temporary Sign Stands and Frames

All temporary sign stands shall be folding, barrier-mounted or guardrail-mounted stands as specified in the Traffic Protection Standard Drawings. Sign stands shall be as described in the Standard Specifications and the Supplementary Specifications. Sign stands must meet the standards described in the MUTCD unless overridden or amended by contract documents.

3.3.3 Portable Variable Message Signs (PVMS)

Refer to Subsection 4.5 (Variable Message Sign Systems) for the use of Portable Variable Message Signs (PVMS) in work zones. PVMS shall be as specified and described in the Supplementary Specifications and the Traffic Protection Standard Drawings. PVMS shall be compatible with the software used by the Statewide Traffic Management Center (STMC) so that the PVMS can be monitored and controlled from the STMC. Access procedures to these boards shall be provided to the NJTA Operations Department two (2) weeks prior to activation of the PVMS.

3.3.4 Flashing Arrow Boards

All flashing arrow boards shall conform to the Standard Specifications and Supplementary Specifications.

The use of flashing arrow boards shall be as shown in the Traffic Protection Standard Drawings, as described in this Manual, as provided in the plans or as directed by the Engineer. Vehicle-mounted arrow boards used with Truck-Mounted Attenuators shall be activated to point in the appropriate direction(s) that traffic must shift to pass the vehicle. Work zone arrow boards that are not vehicle-mounted shall be located either behind barrier or guide rail or within an approved lane or shoulder closure and shall only be activated when properly located within the closure. Trailer-mounted arrow boards shall not remain hitched to a vehicle while in position for the duration of a closure.

3.3.5 Temporary Pavement Markings

Temporary pavement markings and/or raised pavement markers may be used when work requires that traffic temporarily follows a different path from the usual lanes. The placement, use, removal and materials of temporary pavement markings shall conform to the Design Manual, the plans, the Standard Specifications and the Supplementary Specifications.

3.3.6 Traffic Cones

Traffic cones are used for the channelization of traffic as described in this Manual. Cones shall conform to the Standard Specifications and shall otherwise meet or exceed the standards in the MUTCD.

Cones are typically placed on the closed side of the dashed or solid traffic line. Placement of cones on the traffic line or encroaching into the adjacent open travel lane up to the minimum lane width through the work zone will only be considered under special circumstances if not shown in the plans or included in the specifications. In those circumstances, the Applicant shall request the cone placement through the Engineer, to be approved by the Director of Operations. The Engineer will advise the Applicant whether the request has been approved and when to proceed. The minimum lane width in a work zone shall be as shown in the Traffic Protection Standard Drawings for lane shifts, or the existing lane width if narrower, unless otherwise approved by the Authority. No encroachments whatsoever will be permitted into the adjacent open travel lane beyond the minimum lane width established for the work zone.

Procedures for the placement and removal of traffic cones are described in Subsection 5.2 (Lane, Shoulder and Roadway Closures). The movement of cones to conduct work operations is described in Subsection 5.1.5 (Traffic Control Device Movement).

3.3.7 Drums

Drums shall only be used where shown on plans or as directed by the Engineer or State Police and are not otherwise used for traffic control on Authority roadways. Drums shall conform to the Standard and Supplementary Specifications and shall otherwise meet or exceed the standards in the MUTCD.

3.3.8 Barricades

Barricades shall only be used where shown on plans or as directed by the Engineer or State Police and are not otherwise used for traffic control on Authority roadways. Barricades shall conform to the Standard and Supplementary Specifications and shall otherwise meet or exceed the standards in the MUTCD.

3.3.9 Temporary Concrete Construction Barrier

Unless otherwise specified in the Traffic Control Plans or approved by the Engineer, temporary barrier is Pre-cast Concrete Construction Barrier (PCCB) as defined in this Subsection and described in the Standard Drawings, Standard Specifications and Supplementary Specifications. The use of barrier should only be considered if warranting obstructions cannot be eliminated during the daily operation of the work zone. Temporary concrete barrier should be in place only as long as necessary to complete the work in an expeditious manner.

Temporary guide rail shall not be used instead of barrier. Guidelines for determining warranting obstructions and the selection of barrier are set forth in the Design Manual. Moveable Concrete Barrier is discussed as an alternative in the Design Manual and shall conform to the same requirements as PCCB. The approach flare taper rates for temporary concrete construction barrier in lane and shoulder closures and lane shifts are shown on the Traffic Protection Standard Drawings.

PCCB is a system of fixed barrier segments connected to the ground, pavement and/or to each other through a work zone. PCCB is typically used through long-term or High-Intensity Construction Cycle (HICC) work zones.

Concrete barrier shall conform to the Standard Drawings, Standard Specifications and Supplementary Specifications. PCCB shall be installed wherever and whenever specified in the plans and as directed by the Engineer.

Reflectors and flashing lights shall be installed as described in the Supplementary Specifications. Refer to the Standard Specifications for reflector specifications.

Refer to Subsection 3.2.1 (Overview) for discussion of supplemental lane closures, which are required when PCCB is installed and removed within three feet of an active travel lane (unless a slowdown is authorized instead). Barrier must be fully installed in the proper position at the work area before work commences. Barrier shall be removed upon completion of the work. Existing pavement may be removed before placing barrier and barrier may be removed before paving operations if required to do so by the construction sequence shown on the contract plans, or as approved by the Authority as warranted by site conditions.

3.3.10 Guide Rail

Temporary guide rail is not used in Authority work zones.

The minimum vertical clearance of guide rail is given in the Standard Drawings and shall be maintained whenever the guide rail is potentially exposed to active traffic (i.e., not within the work area nor behind barrier). The Applicant or other work personnel shall reset or replace existing guide rail wherever temporary pavement would result in a vertical clearance less than the minimum. The existing guide rail profile shall be restored when the temporary pavement is removed.

The treatment of guide rail openings (i.e., when guide rail must be removed for work area operations or access) is discussed in the Supplementary Specifications. Also refer to the Design Manual.

3.3.11 Flashing Amber Warning Lights

Refer to the Standard Specifications. Warning lights shall be amber in color.

A. Mounted on Traffic Control Devices

Flashing amber warning lights are used to call attention to certain traffic control devices. Flashing amber warning lights shall be installed as provided in the Supplementary Specifications or as directed by the Engineer.

B. Mounted on Work Area Vehicle

All work area vehicles, as defined in Subsection 4.3 (Movement of Work Area Vehicles and Personnel), shall be equipped with overhead mounted flashing amber warning lights. Refer to the Supplementary Specifications for the use and operation of vehicle-mounted flashing amber warning lights.

3.3.12 Attenuators

Any language in the Standard or Supplementary Specifications referring to Temporary Crash Cushion or (Truck) Mounted Crash Cushion shall be construed as applying to Temporary Impact Attenuators or Truck-Mounted Attenuators as described in this Subsection.

A. Temporary Impact Attenuators

Temporary Impact Attenuator systems should be installed on the approach sides of obstructions that are not otherwise located behind barrier or guide rail, as described in the plans and specifications or as directed by the Engineer. Some common obstructions that may require the installation of Temporary Impact Attenuators and additional information on Temporary Impact Attenuator selection, design and placement are provided in the Design Manual. Temporary Impact Attenuators shall conform to the Standard and Supplementary Specifications.

B. Truck-Mounted Attenuators (TMA)

A Truck-Mounted Attenuator (TMA) is a system that is installed on the back of the Traffic Control Truck, rearmost vehicle in a mobile lane closure or other truck in advance of a lane or shoulder closure for the safety of workers in the work zone. Refer to the Traffic Protection Standard Drawings and the Supplementary Specifications for the locations, specifications and other requirements for a truck with TMA in advance of a work area.

3.3.13 Cone Truck

The Cone Truck shall be as described in the Supplementary Specifications. The Cone Truck is used for placing and picking up traffic control devices within a lane or shoulder closure.

3.3.14 Traffic Control Truck

The Traffic Control Truck shall be as described in the Supplementary Specifications. The Traffic Control Truck is used to provide impact attenuation during the process of placing and picking up traffic control devices.

3.3.15 Flaggers (Traffic Directors)

Flaggers shall not interfere with or direct the traveling public in any way on the Parkway or Turnpike mainline or ramps. Flaggers may be used to stop traffic intermittently when necessitated by work on roads not under Authority jurisdiction or not open to the traveling public as required by contract provisions or as described in the Standard or

Supplementary Specifications. The Engineer may direct the use of flaggers, and in the absence of the Engineer (or if none is assigned to the project), the State Police, the NJTA Operations Department or the local roadway agency with jurisdiction may direct the use of flaggers and will inform the Engineer of the direction given. Flaggers are also used to direct work area vehicles within the work area and to direct work area vehicles into and out of roadway closures via ramp gates such that they do not interfere with or direct in any way the traveling public outside of the work area.

Flagging operations shall occur for the time limits specified in the Design Manual. Flaggers shall be dressed to conform to the Standard Specifications. Refer to the Supplementary Specifications for additional requirements pertaining to Flaggers.

3.3.16 Modular Glare Screen Systems

Glare screens are used on a project-by-project basis to shield the traveling public's view of work area activities or to shield headlights between opposing directions of traffic, and are typically mounted on temporary construction barrier. Modular Glare Screen systems are described in the Supplementary Specifications and must be maintained as described in the Supplementary Specifications for all traffic control devices.

4 WORK ZONE OPERATIONS

4.1 Speed Reductions

The speed reductions to be posted in advance of and through a work zone are shown in the Traffic Protection Standard Drawings (see Appendix A) and may be modified by the Traffic Control Plans within the contract or as approved by the Director of Operations and Chief Engineer. The spacing and location of speed limit signage shall conform to the standards established in the Standard Drawings. Work zone speed reductions and speed limits are dependent on the work zone location on the Turnpike or Parkway. If a work zone crosses the milepost limits shown in the Standard Drawings, the lowest speed limit applicable shall be posted throughout the work zone unless otherwise shown within the Traffic Control Plans or approved by the Director of Operations.

On the New Jersey Turnpike, Speed Limit – Emergency Speed Warning signs, as described in Subsection 4.5 (Variable Message Sign Systems), are operated by the Authority to improve motorists' early recognition of conditions on the roadway ahead. The NJTA Operations Department operates these signs to agree with the posted work zone speed limits when these signs exist within the limits of a work zone speed reduction unless extenuating circumstances such as a traffic or weather incident require a lower speed limit. The Applicant or other work personnel must post appropriate speed limit signs in advance of and through the work zone regardless of the Authority's use of variable speed limit and speed warning signs.

4.2 Access to Work Site

When entering or leaving a work area, appropriate caution shall be used. Any move entering or exiting of a work area shall not be sudden and shall only be done after confirming a sufficient gap in traffic to allow the intended move. Refer to the Supplementary Specifications for additional information.

Work area vehicle access shall be as shown in the plans and may be accomplished through a lane closure or by employing a shoulder closure with an entry/exit ramp access configuration to and from the work area. The use of flaggers to direct the movement of traffic into and out of a work area, but not interfering with passing traffic, is described in Subsection 3.3.15 (Flaggers). A State Police escort is required for the movement of slow, heavy or oversize vehicles and equipment into or out of a work area as described in Subsection 4.3 (Movement of Work Area Vehicles and Personnel).

4.3 Movement of Work Area Vehicles and Personnel

Work area vehicles are defined as any vehicles belonging to the Applicant, anyone working for the Applicant or any other work personnel on any construction, maintenance or other project within Authority right of way that may enter the work area or other designated areas of Authority right of way. Certain

work area vehicles are restricted north of Interchange 105 on the Parkway. Refer to the Supplementary Specifications for requirements, regulations and restrictions on work area vehicles.

Escorts for slow, heavy or oversize vehicles and equipment may be specified in the Traffic Permit, contract, specifications or other document(s) governing a particular work project. Escorts shall be performed with the assistance of the State Police, using a traffic slowdown as described in Subsection 5.1.4 (Traffic Slowdowns), unless otherwise advised by the NJTA Operations Department. Also refer to the Supplementary Specifications. A slowdown may be requested for escorted vehicles entering or exiting a work area or crossing an active roadway and must be approved by the NJTA Operations Department. Refer to Subsection 5.1.4 (Traffic Slowdowns) for further information. Escorts should be of the shortest overall length and performed in the safest manner possible and will be scheduled by the NJTA Operations Department.

Personnel shall never enter or cross any active roadway and shall never leave the work area except within a vehicle.

4.4 Personnel Safety

Personnel safety training shall include a mandatory Training Class for all Applicants seeking a Traffic Permit, as described in Subsection 3.1.3 (Training Class). Authority employees who will be working within Authority right of way (e.g., NJTA Maintenance Department personnel) shall follow all provisions and procedures and meet all requirements set forth in the Employee Safety Manual. Safety vests are required for work in any Authority roadway as described in the Supplementary Specifications.

Depending on the type of project, the Authority and Applicant will have on file a list of names and telephone numbers to be contacted in case of emergency. This list may be included in the Traffic Permit and/or Construction Incident Communication Plan if applicable to the project. Before contacting the appropriate Authority and/or Applicant personnel in an emergency, anyone discovering an incident with serious injuries should immediately dial emergency services ("9-1-1").

4.5 Variable Message Sign (VMS) Systems

The following types of variable message sign (VMS) systems may be present within or approaching the work zone:

- Speed Limit – Emergency Speed Warning (SL / ESW) Signs, which consist of a speed limit sign with variable speed limit display and Emergency Speed Warning sign with fixed messages that can be lit in varying combinations.
- Changeable Message Signs (CMS), which consist of fixed wording on rotating drums that display different pre-determined messages.

New Jersey Turnpike Authority
Manual for Traffic Control in Work Zones

- Variable Message Signs (VMS), which may display a variety of messages limited by such constraints as the size of the sign and driver-oriented guidelines on message content and display.
- Portable VMS (PVMS), as described in Subsection 3.3.3 (PVMS).

SL / ESW, CMS and VMS on Authority roadways are controlled by the NJTA Operations Department through the Traffic Management and Technology Center (TMTC). The TMTC may coordinate with other roadway agencies regarding VMS messages on the Authority's and other agencies' roadways.

The use of PVMS shall be as shown on the plans, as described in the specifications and as directed and approved by the NJTA Operations Department. Standard messages are included in the Traffic Protection Standard Drawings (see Appendix A) and all other messages shall be approved by the NJTA Operations Department. The use of PVMS may include (but is not limited to) advance notice of the following situations:

- Lane, shoulder, ramp and roadway closures;
- Lane shifts;
- Uneven pavement;
- Steel plates;
- Congested areas.

PVMS may also be used as part of a data collection or traffic monitoring system as directed by the Authority, and/or may be used for real-time data feedback to drivers approaching and through the work zone.

5 WORK ZONE PROCEDURES

5.1 General

5.1.1 Detours

Detours, including diversionary roads, shall be implemented according to the plans and specifications or as approved by the Director of Operations. The Authority will disseminate information about closures and detours through the Statewide Traffic Management Center. Detours affecting roadways under another agency's jurisdiction must be coordinated with that agency according to Subsection 6.1 (Overview). This is typically done during the design phase of a project as described in the Design Manual.

The provision of detour signs within Authority right of way for all routes affected by the detour will be as specified in the contract or as determined and/or approved by the NJTA Operations Department. Other agencies will advise the Applicant or other work personnel of detour signing, flagging and other requirements within their jurisdictions.

5.1.2 Nighttime Operations

Nighttime operations are defined in the Supplementary Specifications, including many applicable rules for nighttime operations, and are further described in the Design Manual.

Except as described in Subsection 3.3.11 (Flashing Amber Warning Lights), flashing amber warning lights on signs and traffic control devices shall not be used unless shown in the plans or directed by the Engineer. Signs, cones and other traffic control devices should have sufficient retroreflectorization to be seen at night as defined in the Standard Specifications.

5.1.3 Existing Signals, Signs and Delineators

Refer to the Supplementary Specifications regarding existing signals, signs and delineators.

A. Relocation

As indicated in the contract or directed by the Engineer, signs that interfere with safe and effective work zone operations shall be temporarily relocated as close as possible to their original locations such that they remain visible to the traveling public. Relocated signs shall be permanently returned to their original position as soon as they will no longer interfere with work zone operations unless they are designated for replacement (refer to Part C of this Subsection).

New Jersey Turnpike Authority
Manual for Traffic Control in Work Zones

Relocation of any regulatory or warning sign requires prior approval of the Director of Operations. The NJTA Operations Department will advise the Applicant or other work personnel whether to relocate existing traffic signals and toll lane indicators or to install temporary signals and indicators.

B. Covering or Removal

Signs with a message conflicting with work zone traffic control will be required to be covered or temporarily removed. Covering or removal of any regulatory or warning sign that is not shown on the plans requires prior approval of the Director of Operations.

Roadway delineators that interfere with safe and effective work zone operations may be removed only as directed or approved by the Engineer. Otherwise, they must be relocated. Traffic signals and toll lane indicators that are conflicting, proposed, non-operational or otherwise not to be displayed to the public shall be deactivated and/or covered only as directed by the Engineer.

C. Replacement

The Applicant or other work personnel must repair or replace any existing signs visible to the traveling public that are damaged as a result of work zone operations. Existing signs that are damaged while they have been covered or temporarily removed for work zone operations shall be replaced by the time they are again required to be displayed to the traveling public. Existing signs to be removed that are damaged prior to removal (while still visible to the traveling public) may be replaced by temporary signs provided the temporary signs meet the minimum standards set forth in the Standard Specifications.

5.1.4 Traffic Slowdowns

Traffic slowdowns are conducted by the State Police to provide a safe distance to conduct work of a very short duration (typically 5 minutes) that requires working within active travel lanes. Traffic slowdowns are used for the placement or removal of lane or roadway closure tapers, the movement of heavy equipment and the movement of slow, heavy or oversize vehicles as required in the Supplementary Specifications. Traffic slowdowns may be required for realigning traffic control devices that are displaced into the active roadway and other work items such as (but not limited to) beam and sign structure erection. The NJTA Operations Department will advise the Applicant or other work personnel of any exceptions. Refer to the Design Manual and the Supplementary Specifications regarding traffic slowdowns.

Traffic slowdown requests are submitted using the Escorts and Slowdowns Request Form, which may be found on the Authority's website. Escorts and Slowdowns Request Forms shall be submitted at

New Jersey Turnpike Authority
Manual for Traffic Control in Work Zones

the same time as Lane and Shoulder Closing Request Forms, and will be reviewed on a similar timetable. Refer to Subsection 3.2.3 (Closure Request Process) and the Authority's Traffic Closure Request Procedure.

The equipment to be moved or installed or the vehicle to be escorted during the slowdown must be in place prior to the slowdown. The State Police vehicle(s) will manage traffic during one or more slowdowns until the work is complete or the slow-moving equipment or vehicle has entered or left the work area appropriately.

Refer to the Supplementary Specifications. Traffic slowdowns will only be permitted as approved by the NJTA Operations Department. Traffic slowdowns will not be permitted during Holidays or Heavy Traffic Days or during any hour in which a lane closure is not allowed. Any exception must be approved by the Director of Operations. Approval of a lane closure does not guarantee approval of a slowdown.

5.1.5 Traffic Control Device Movement or Closure Configuration Change

Only the Engineer can request the temporary movement of traffic control devices to accommodate work within a work area with the approval of the NJTA Operations Department and/or the State Police. Any deviation from an approved Traffic Control Plan must be approved by the NJTA Engineering Department and detailed in a Change of Plan. Otherwise, the NJTA Engineering Department may approve modified traffic control in consultation with the NJTA Operations Department. The Engineer shall submit a Change of Plan to the NJTA Engineering Department for any field modification to approved contract plans. All modifications shall only be based on approved plans and approved Changes of Plans.

A traffic slowdown is required to shift traffic control devices where required by the Supplementary Specifications unless otherwise advised by the NJTA Operations Department as described in Subsection 5.1.4 (Traffic Slowdowns). If the requested movement impacts the adjacent travel lane, the temporary closure of that lane may be required following the rules and guidelines of Subsection 5.2.3 (Lane Closures).

The Engineer or other designated representative of the NJTA Engineering Department should be present at all times during the movement, realignment or change of traffic control device configuration. If the Applicant (or other work personnel) changes the configuration of traffic control devices at a closure without the approval of the Engineer, the State Police or the Authority will order work to be halted until the approved configuration is restored.

5.1.6 Lane Shifts and Shoulder Treatment

Lane shifts shall conform to the plans and the Traffic Protection Standard Drawings. Note that a lane shift is not a lane closure. When a lane shift requires the removal of existing striping, refer to Subsection 3.3.5 (Temporary Pavement Markings) and the Standard Specifications. Typically, shifting traffic onto the shoulder is planned during the design phase of a project as described in the Design Manual. The Engineer must verify that the shoulder is in satisfactory condition before traffic is shifted. The closure of a lane before, through and/or after a lane shift is treated as a standard lane closure under Subsection 5.2.3 (Lane Closures).

5.1.7 Emergency Pull-offs

Emergency pull-offs shall be provided as shown in the Traffic Protection Standard Drawings. Shoulders closed by cones do not require emergency pull-offs. Emergency pull-offs shall not be used as work zone entry or exit areas unless the adjacent lane is closed.

5.1.8 Pedestrian and Bicycle Safety

Pedestrian and bicycles are strictly prohibited on Authority roadways, but work zones on roadways crossing the Turnpike or Parkway right of way may affect pedestrians, bicycles and other forms of non-motorized transportation on those roadways. The maintenance of routes for pedestrian and bicycle traffic is typically designed during the design phase of a project based on the Design Manual.

5.2 Lane, Shoulder and Roadway Closures

5.2.1 Setup and Removal

The allowable hours of short-term lane or shoulder closures are discussed in Subsections 3.2.1 (Overview) and 3.2.5 (Restrictions on Closures). Restrictions may be imposed during otherwise allowable hours as described in Subsection 3.2.2 (Authority to Allow / Prohibit Closures).

Refer to the Design Manual and the Supplementary Specifications for the procedures and requirements pertaining to lane and shoulder closure installation and removal. Subsections 3.3.13 (Cone Truck) and 3.3.14 (Traffic Control Truck) describe the vehicles required during closure installation and removal.

5.2.2 Emergency Closures

Emergency closures in response to traffic, roadway or other incidents shall be installed when and where directed by the Authority. Refer to the Supplementary Specifications. The Authority or the State Police will determine what situations are considered emergencies, what type of closure is required and who will perform the closure. Emergency closures shall be removed as soon as the emergency work has been completed. The Director of Operations shall be notified of all emergency closures.

5.2.3 Lane Closures

Refer to the Traffic Protection Standard Drawings, plans and specifications to determine when the location of work or equipment requires a lane to be closed. Upon approval from the NJTA Operations Department, work that may be accomplished with a traffic slowdown may not require a lane closure as long as the location of work or equipment before and after the slowdown does not require a lane to be closed. For long-term operations, a lane shift may be appropriate instead of a lane closure to maintain the normal balance of traffic lanes through the work zone.

A. General Provisions

Refer to Subsection 3.2 (Ramp and Mainline Lane, Shoulder and Roadway Closures) for an overview of lane closure policies.

Short-term lane closures should only occur on the left or right side of the highway. The application of interior lane closures, in which traffic may pass on either side of the work zone, is extremely limited and should not be considered in planning work zone scheduling or staging. Interior lane closures are discussed in Part B of this Subsection.

When a short-term work zone is demarcated by a line of cones or other moveable traffic control devices, the closure shall conform to the appropriate Traffic Protection Standard Drawing(s). When a long-term work zone is delineated by temporary construction barrier, the closure shall conform to the plans including the provision of Temporary Impact Attenuators.

B. Interior Lane Closures

Interior closures of toll plaza lanes are discussed in Subsection 5.2.5 (Closures at Toll Plazas).

The use of long-term traffic shifts around interior lane closures should be minimized, but the Authority recognizes that some projects such as bridge deck repairs require long-term interior lane closures with lanes

shifted to both sides. Such closures shall be approved by the NJTA Operations Department prior to implementation.

Refer to the Standard Drawings regarding the limited use of short-term interior lane closures. Short-term work in an interior lane may otherwise be accomplished via a multiple lane closure as described in Part C of this Subsection.

C. Multiple Lane Closures

When multiple lanes are closed in a work zone, they shall always be adjacent on the same side of the highway and shall conform to the Standard Drawings. The distance between tapers in adjacent lanes will depend on the locations of approved taper points, which will be provided as described in Subsection 3.2.3 (Closure Request Process).

5.2.4 Shoulder Closures

Work areas within the clear zone (typically 30 feet) of an Authority roadway require a shoulder closure unless protected by guide rail or temporary construction barrier. Refer to the Traffic Protection Standard Drawings, plans and specifications to determine when the location of work or equipment also requires closure of the adjacent lane.

A. General Provisions

Refer to Subsection 3.2 (Ramp and Mainline Lane, Shoulder and Roadway Closures) for an overview of shoulder closure policies.

When a short-term work zone is demarcated by a line of cones or other moveable traffic control devices, the closure shall conform to the appropriate Traffic Protection Standard Drawing(s). When a long-term work zone is delineated by temporary construction barrier, the closure shall conform to the plans including the provision of Temporary Impact Attenuators.

As described in Subsection 3.2.1 (Overview), shoulder closures shall not be maintained when work is not actively being performed unless otherwise approved by the NJTA Operations Department. Non-working shoulder closures may not require an arrow board or truck with Truck-Mounted Attenuator at the discretion of the NJTA Operations Department but all other provisions regarding shoulder closures apply.

B. Short Duration Shoulder Closures

Certain types of work may be accomplished with shoulder closures of an approximate duration of 30 minutes or less. This work may be mobile or stationary in nature. Refer to the appropriate Traffic

New Jersey Turnpike Authority
Manual for Traffic Control in Work Zones

Protection Standard Drawing for the special requirements and applications of this type of closure.

5.2.5 Closures at Toll Plazas

The NJTA Operations Department will advise the Applicant or other work personnel when a work zone will involve the area of a toll plaza. The NJTA Operations Department may impose additional restrictions on allowable lane and shoulder closures within the toll plaza area.

A. Express Tolling Lanes

The standards applying to express tolling lane and shoulder closures are the same as for other closures as described in Subsections 5.2.3 (Lane Closures) and 5.2.4 (Shoulder Closures). Advance signs and lane indicators must indicate the closure as described in the Supplementary Specifications. The standards applying to regular toll plaza lanes at toll plazas with express tolling lanes are described in Part B of this Subsection.

State Police assistance shall be required to install or remove the closure unless otherwise advised by the NJTA Operations Department, as described in Subsection 3.2.4 (State Police Assistance). The NJTA Operations Department may activate Variable Message Signs to notify the traveling public of the closure as described in Subsection 4.5 (Variable Message Sign Systems). Refer to Subsection 5.1.3 (Existing Signals, Signs and Delineators) regarding maintenance, relocation, covering or removal of toll lane indicators.

B. Toll Plaza Lanes

Closures of toll plaza lanes may extend before or after the toll plaza or may be confined to the limits of the toll plaza, depending on the type of work being performed. Interior toll plaza lanes may be closed while maintaining traffic through the toll plaza on either side. Except as otherwise shown in the plans or described in contract documents, the standards applying to toll plaza lane closures are the same as for other lane closures as described in Subsection 5.2.3 (Lane Closures).

State Police assistance shall be required to install or remove the closure unless otherwise advised by the NJTA Operations Department, as described in Subsection 3.2.4 (State Police Assistance). Refer to Subsection 5.1.3 (Existing Signals, Signs and Delineators) regarding maintenance, relocation, covering or removal of toll lane indicators.

5.2.6 Ramp and Ramp Area Closures

Refer to the Supplementary Specifications regarding ramp and ramp area closures.

A. Mainline Closures at Interchange or Service Area Exit or Entry Ramps

The NJTA Operations Department will provide a list of taper points as described in Subsection 3.2.3 (Closure Request Process). There should be no ramps within the length of a lane or shoulder closure taper. Refer to the plans and the Traffic Protection Standard Drawings for the design and implementation of closures that extend across interchange or service area ramps to remain open to traffic. These provisions apply to mainline work zones with a lane or shoulder closure on the same side of the roadway as an exit or entry ramp.

B. Ramp Lane and Shoulder Closures

Ramp lane (“half-ramp” or partial ramp) and shoulder closures that do not extend onto the mainline shall follow the procedures, guidelines and rules included and referenced in Subsections 5.2.1 (Setup and Removal), 5.2.3 (Lane Closures) and 5.2.4 (Shoulder Closures). The NJTA Operations Department will provide a list of ramp closure taper points as described in Subsection 3.2.3 (Closure Request Process). Ramp lane and shoulder closures that extend onto the mainline are to be conducted in accordance with the Standard Drawings.

The permissible hours of short-term ramp closures are determined by the plans and specifications. Otherwise, the NJTA Operations Department will issue short-term ramp closure hours. The Lane Closure and Shoulder Closure Tables do not apply to ramp work zones that do not extend onto the mainline roadway. The NJTA Operations Department will advise the Applicant or other work zone personnel of the permissible hours.

C. Full Ramp Closures

Full ramp closures shall be as shown on the plans and are otherwise rarely permitted. Full ramp closures typically require detours. The Authority and the Applicant (or other work personnel) will be responsible for coordinating full ramp closures with any other affected agencies and developing any required detour plans and/or traffic mitigation requirements as described in Section 6 (Coordination with Other Agencies). Ramp closures shall be performed in accordance with the Traffic Protection Standard Drawings.

5.2.7 Mobile Lane Closures

Mobile lane closures may be used instead of standard lane closures only when and where authorized by the Director of Operations. The approval process for mobile lane closures is the same as for other types of lane closures, but the Engineer must pre-approve mobile lane closure requests prior to submittal of the Request for Lane and Shoulder Closings form. The State Police may provide an escort for the duration of the mobile lane closure. Refer to the Supplementary Specifications.

5.2.8 Roadway Closures

Roadway closures are provided on a limited basis for contract work and noted in the contract plans and specifications, and are otherwise rarely permitted. The NJTA Operations Department will advise the Applicant or other work personnel when work may be performed within a full roadway closure. Refer to the Supplementary Specifications for rules regarding roadway closures, including the operation of work area vehicles within a closed roadway and access to a closed roadway. The rules of work area vehicle operation described in these subsections shall also apply to the Parkway.

5.3 Maintenance of Work Zones

5.3.1 Patrolling

Refer to the Supplementary Specifications. Lane, ramp and partial ramp closures require a "Full Time Patrol" unless otherwise determined by the NJTA Operations Department. The type of patrol for a shoulder closure shall be determined by the NJTA Operations Department. Patrol vehicles are considered work area vehicles. Refer to Subsection 4.3 (Movement of Work Area Vehicles and Personnel) for restrictions on acceptable roadway use by work area vehicles.

Paving operations directly adjacent to a cone line may require two-person patrols as determined by the NJTA Operations Department. Interior lane closures require two-person patrols. When patrolling interior lane closures, the patrol must work from inside the interior lane and may not drive or park the vehicle on the adjacent shoulder. If traffic control devices are displaced in an interior lane closure, one person will replace the devices in the proper positions as the truck is driven closely behind, working within the closure. The State Police may provide assistance as described in the Supplementary Specifications.

5.3.2 Uneven or Rough Pavement

The Standard Specifications regulate sharply defined drop-offs pertaining to any paving operation. The Supplementary Specifications define what constitutes a longitudinal (i.e., between adjacent travel lanes carrying

traffic) or transverse (i.e., across one or more travel lanes carrying traffic) lip.

The NJTA Operations Department must approve the passage of traffic over rough pavement or concrete surface, on a roadway with uneven pavement between lanes or over any instantaneous rise or dip ("bump") in one or more lanes unless shown in the plans or described in contract documents. Otherwise, the Engineer must verify that all closed lanes or shoulders have a smooth riding surface before the lane or shoulder closure is removed. Refer to the Design Manual and the Traffic Protection Standard Drawings regarding uneven or rough pavement in active travel lanes.

In exceptional or emergency circumstances, the Chief Engineer may direct the use of steel plates to cover any excavated areas that cannot be filled in or to cover concrete that has not yet cured. Steel plates shall be used and coated according to the Standard and Supplementary Specifications and shall be secured as shown on the plans or as directed by the Engineer. Steel plates in active travel lanes that are not flush with the adjacent paved roadway are to be addressed as lips per this Subsection.

5.3.3 Restricting Access to Turnpike and Parkway Right of Way

When an existing access point (mainline roadway, entry or exit ramp) must be closed for work, it is to be addressed as a full ramp closure or roadway closure (refer to Subsection 5.2, Lane, Shoulder and Roadway Closures) and will require a detour as described in Subsection 5.1.1 (Detours). Other access points are used for official or emergency vehicles only. The Director of Operations must approve the closure of any official or emergency access point unless shown in the plans or described in the specifications.

Refer to the Supplementary Specifications regarding Applicant (or other work personnel) use of access points and securing unauthorized access points from the traveling public. The Director of Operations must authorize the use or creation of any access points for work area vehicles that are not available to the traveling public.

6 COORDINATION WITH OTHER AGENCIES

6.1 Overview

Whenever a work zone affects the jurisdiction of one or more agencies other than the Authority, the work zone shall be coordinated with all agencies whose jurisdictions are impacted by the work zone. Both the Authority and the Applicant (or other work personnel) are responsible for different aspects of this coordination. Refer to Subsection 3.2.5 (Restrictions on Closures), the Design Manual and the Standard Specifications.

Within those areas of the work zone falling outside the Authority's jurisdiction, the Applicant or other work personnel shall comply with regulations imposed by any agencies or municipalities having jurisdiction over that area and shall pay for and obtain all required permits. Work within Authority right of way on any roadway that is under another agency's jurisdiction on either side of Authority right of way is considered to be work affecting the jurisdiction of that other agency.

Types of work considered to affect the jurisdiction of other agencies may include, but are not limited to:

- Overpass / bridge repair work over the right of way of another agency (highway, railroad, waterway, etc.) where the work or associated traffic protection may affect the passage of traffic on the right of way below;
- Overpass / bridge repair work under the right of way of another agency (highway, railroad, etc.) where the nature of the work may affect the passage of traffic on the right of way above;
- Any work zone involving a closure where the Maintenance and Protection of Traffic require traffic control devices to be placed outside the jurisdiction of the Authority on any ramp or mainline;
- Closures requiring traffic to be detoured on roadways not under Authority jurisdiction;
- Any work zone requiring the placement of signage or inclusion of messages on Variable Message Signs on roadways under the jurisdiction of another agency's right of way to provide advance notification of closures, detours or diversions.

If any part of a work zone (including traffic control devices, material storage areas, temporary lane striping, etc.) falls within the jurisdiction of another roadway agency or affects traffic on that agency's roadways, the Traffic Control Plan for that work zone must include coordination with that other agency. Even if the impact of the work zone on traffic within another agency's jurisdiction is not apparent, the Authority may determine the need to coordinate with other agencies. This does not relieve the Applicant or other work personnel of the responsibilities to determine the impact of the work zone on other roadways and to coordinate necessary work with other agencies. Any agency with jurisdiction over some part of the work zone must approve the proposed traffic control procedures, material storage plans or other aspect of the work zone affecting its jurisdiction prior to the start of work. At the same time, the work zone must meet

all applicable guidelines, policies and standards of the Authority unless otherwise agreed to by the Authority and the other agency or agencies concerned.

6.2 Traffic Management and Technology Center

The purpose of the Traffic Management and Technology Center (TMTC) in Woodbridge, NJ is to coordinate and manage operations and incident responses on all Authority facilities. The Statewide Traffic Management Center (STMC), a component of the TMTC, houses representatives of multiple state transportation agencies including the NJ Department of Transportation, the State Police and the Authority. The staff at the STMC coordinates and manages operations and incident responses on transportation facilities throughout New Jersey. The functions of the TMTC that are carried out in the STMC include:

- Monitoring and reporting congestion and incidents to STMC-member and other regional roadway agencies, including members of TRANSCOM and the I-95 Corridor Coalition;
- Disseminating congestion and incident information to local news and traffic reports;
- Reporting incidents to State Police, Maintenance forces, STMC-member and other regional roadway agencies for assistance with responses;
- Communicating information on other high priority events such as emergency evacuation routes and Amber Alerts.

The Authority's staff at the TMTC is responsible for monitoring and operating the New Jersey Turnpike and Garden State Parkway facilities. It is imperative that the TMTC is aware of all activities occurring on these facilities. The Engineer will notify the TMTC of all impacts to traffic including slowdowns, lane closings, lane re-openings and traffic incidents that occur in the work zone. If the Engineer is not present, the Traffic Control Coordinator must log and notify the Engineer of all impacts to traffic in the work zone. Any lane or shoulder re-opening that will occur later than the scheduled pick-up time must be reported as soon as possible in the same manner. The Engineer shall notify the TMTC of the daily use of any Portable Variable Message Signs (PVMS) and the message(s) posted.

In addition to the initial notification to the TMTC of an impact to traffic, the closure must be patrolled to ensure the integrity of the closure is maintained. Refer to Subsection 5.3.1 (Patrolling). The TMTC shall be notified according to the Supplementary Specifications. The TMTC shall be notified of all work zone incidents or emergencies.

6.3 Traffic/Incident Monitoring and Response

The Applicant or other work personnel should not rely on the TMTC and STMC to observe or receive information regarding congestion or traffic incidents that occur within a work zone. The work zone personnel will be among the first to observe any incident or congestion that occurs within their work zone. When congestion or a traffic incident occurs within the work zone, the Traffic Control Coordinator, Engineer, foreman or other designated person in charge shall be notified

New Jersey Turnpike Authority
Manual for Traffic Control in Work Zones

immediately. The TMTC shall then be notified as described in the Supplementary Specifications and/or Construction Incident Communication Plan if applicable to the project.

When a work zone impacts the jurisdictions of other agencies, additional contacts for those agencies are included in the Traffic Permit, Construction Incident Communication Plan, or other list of names and telephone numbers on file. The appropriate contacts would be notified of any incident or unforeseen traffic condition impacting the jurisdictions of those agencies. Should an incident or unforeseen traffic condition impact the jurisdictions of agencies whose contact information is not on file, the TMTC will initiate coordination with the other agencies.

7 REFERENCES

The website addresses listed in this Section should be verified.

NJTA Standard Drawings, available online at:

<http://www.state.nj.us/turnpike/NJTA-Standard-Drawings.htm>

Traffic Protection Standard Drawings are included in Appendix A of this Manual.

NJTA Standard Specifications and (Standard) Supplementary Specifications, available online at:

<http://www.state.nj.us/turnpike/buss.htm>

Refer to the definitions of these terms in Subsection 2.1 (Terminology Definitions) regarding the incorporation of project-specific Supplementary Specifications.

NJTA Design Manual – particularly Section 9 (Traffic Control during Construction), available online at:

<http://www.state.nj.us/turnpike/NJTA-Design-Manual.htm>

All references to the Design Manual are to the May 2007 edition. Consult the latest edition.

Manual on Uniform Traffic Control Devices for Streets and Highways (MUTCD) published by the Federal Highway Administration (FHWA), available online at:

<http://mutcd.fhwa.dot.gov/>

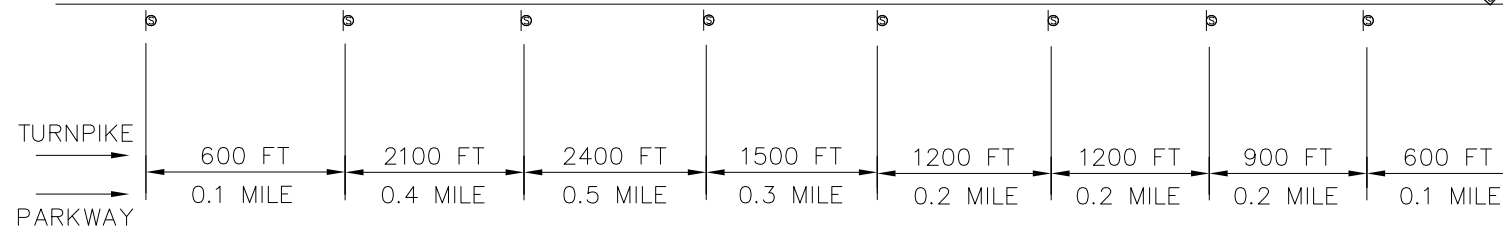
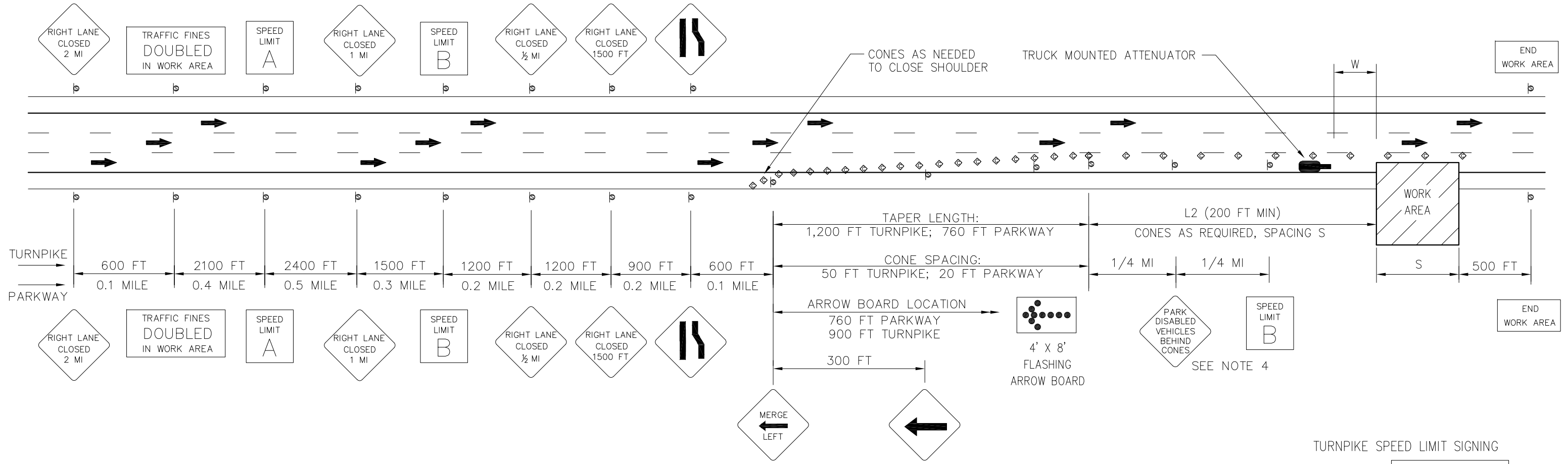
All references to the MUTCD are to the 2003 Edition with Revisions 1 and 2 Incorporated. Consult the latest edition.

Work Zone Safety and Mobility, FHWA 23 CFR Part 630 Final Rule; Federal Register / Volume 69, No. 174 / Thursday, September 9, 2006 / Rules and Regulations, available online at:

http://ops.fhwa.dot.gov/wz/resources/final_rule.htm

APPENDIX A

TRAFFIC PROTECTION STANDARD DRAWINGS



CONE SPACING, S (FT)

ROADWAY	S
PARKWAY	80
TURNPIKE	75

TMA SPACING, W (FT)

WORK ZONE SPEED LIMIT	W
45	100
35	75

PARKWAY SPEED LIMIT SIGNING

MILEPOST	A	B
0-80	55	45
80-100	45	45
100-124	55	45
124-165	45	45
165-172	55	45

TURNPIKE SPEED LIMIT SIGNING

MILEPOST	A	B
0-52	45	45
PHMTE	45	45
52-97	45	45
97-105	45	45
105E-112.5E	45	45
112.5E-117E	45	45
105W-117W	45	45
117-122	45	45
NBHCE	45	45

- NOTES:
- TWO LANE ROADWAY SECTIONS ON THE GARDEN STATE PARKWAY MAY OMIT LEFT SIDE (MEDIAN) SIGNING.
 - "L2" DEPENDS ON THE TAPER POINT LOCATION BUT SHALL BE A MINIMUM OF 200 FEET.
 - A LANE CLOSING WILL BE REQUIRED WHEN THE SHOULDER IS LESS THAN 10 FEET WIDE OR WHEN EQUIPMENT IS OPERATED LESS THAN 3 FEET FROM THE TRAVELED LANE. HOWEVER, STABILIZING ATTACHMENTS SUCH AS OUTRIGGERS MAY EXTEND TO THE SHOULDER LINE WITHOUT NECESSITATING THE CLOSING OF THE ADJACENT LANE.
 - A SIGN "PARK DISABLED VEHICLES BEHIND CONES" SHALL BE INSTALLED WHERE SHOWN FOR CLOSINGS OF ONE-HALF MILE OR MORE. SHOULD THE LENGTH OF THE WORK ZONE PERMIT, A SPEED LIMIT SIGN WITH VALUE "B" SHALL BE INSTALLED ONE-QUARTER MILE DOWNSTREAM FROM THE "PARK DISABLED VEHICLES BEHIND CONES" SIGN. THIS SPEED LIMIT SIGN SHALL REPEAT EVERY ONE-HALF MILE SHOULD THE LENGTH OF THE WORK ZONE PERMIT.
 - AS THE WORK AREA ADVANCES WITHIN THE CLOSING, W IS DETERMINED USING A MINIMUM 22,000 POUND VEHICLE IN TABLE 9.4 OF THE 2006 AASHTO ROADSIDE DESIGN GUIDE, 3RD EDITION.

SEE NOTE 5

- LEGEND:
- Ⓢ TEMPORARY TRAFFIC CONTROL SIGN
 - ◇ CONE
 - ➔ DIRECTION OF TRAVEL

No.	DATE	REVISION

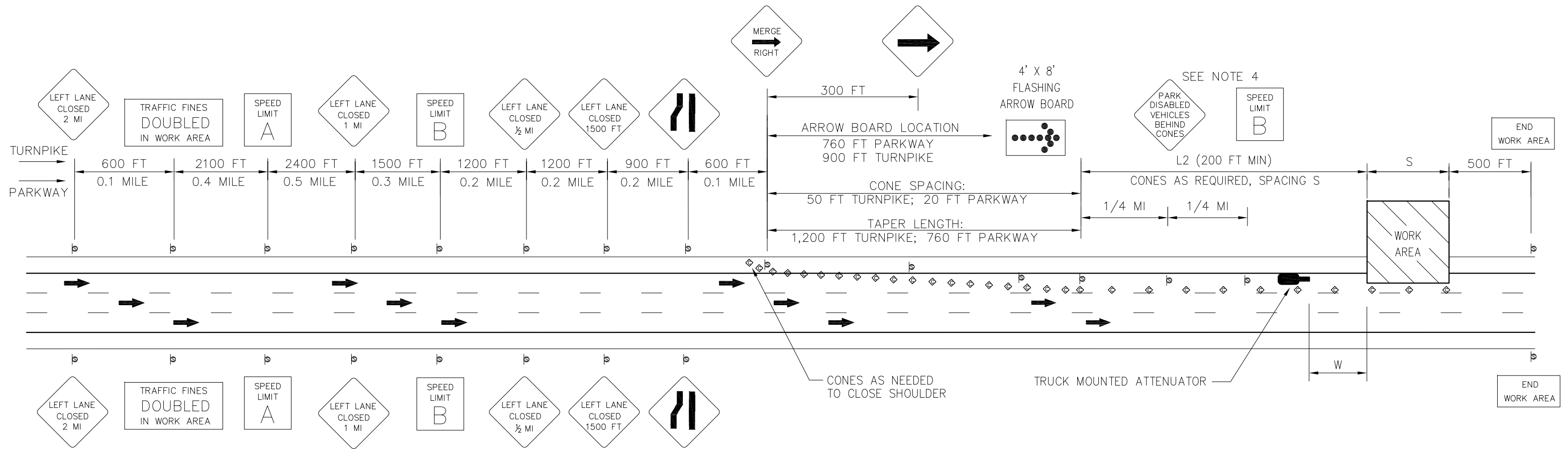
NEW JERSEY TURNPIKE AUTHORITY
TRAFFIC PROTECTION STANDARD DRAWING

RIGHT LANE CLOSING

OPERATIONS DEPARTMENT
WOODBRIDGE, NEW JERSEY
Drawing By: KDD
Checked By: KJM

SCALE: NONE
DATE: 10/2009

TP
1



CONE SPACING, S (FT)

ROADWAY	S
PARKWAY	80
TURNPIKE	75

TMA SPACING, W (FT)

WORK ZONE SPEED LIMIT	W
45	100
35	75

SEE NOTE 5

PARKWAY SPEED LIMIT SIGNING

MILEPOST	SPEED LIMIT SIGN	
	A	B
0-80	55	45
80-100	45	45
100-124	55	45
124-165	45	45
165-172	55	45

TURNPIKE SPEED LIMIT SIGNING

MILEPOST	SPEED LIMIT SIGN	
	A	B
0-52	45	45
PHMTE	45	45
52-97	45	45
97-105	45	45
105E-112.5E	45	45
112.5E-117E	45	45
105W-117W	45	45
117-122	45	45
NBHCE	45	45

NOTES:

1. TWO LANE ROADWAY SECTIONS ON THE GARDEN STATE PARKWAY MAY OMIT RIGHT SIDE SIGNING.
2. "L2" DEPENDS ON THE TAPER POINT LOCATION BUT SHALL BE A MINIMUM OF 200 FEET.
3. A LANE CLOSING WILL BE REQUIRED WHEN THE SHOULDER IS LESS THAN 10 FEET WIDE OR WHEN EQUIPMENT IS OPERATED LESS THAN 3 FEET FROM THE TRAVELED LANE. HOWEVER, STABILIZING ATTACHMENTS SUCH AS OUTRIGGERS MAY EXTEND TO THE SHOULDER LINE WITHOUT NECESSITATING THE CLOSING OF THE ADJACENT LANE.
4. A SIGN "PARK DISABLED VEHICLES BEHIND CONES" SHALL BE INSTALLED WHERE SHOWN FOR CLOSINGS OF ONE-HALF MILE OR MORE. SHOULD THE LENGTH OF THE WORK ZONE PERMIT, A SPEED LIMIT SIGN WITH VALUE "B" SHALL BE INSTALLED ONE-QUARTER MILE DOWNSTREAM FROM THE "PARK DISABLED VEHICLES BEHIND CONES" SIGN. THIS SPEED LIMIT SIGN SHALL REPEAT EVERY ONE-HALF MILE SHOULD THE LENGTH OF THE WORK ZONE PERMIT.
5. AS THE WORK AREA ADVANCES WITHIN THE CLOSING, W IS DETERMINED USING A MINIMUM 22,000 POUND VEHICLE IN TABLE 9.4 OF THE 2006 AASHTO ROADSIDE DESIGN GUIDE, 3RD EDITION.

LEGEND:

- Ⓢ TEMPORARY TRAFFIC CONTROL SIGN
- ◇ CONE
- ➡ DIRECTION OF TRAVEL

No.	DATE	REVISION

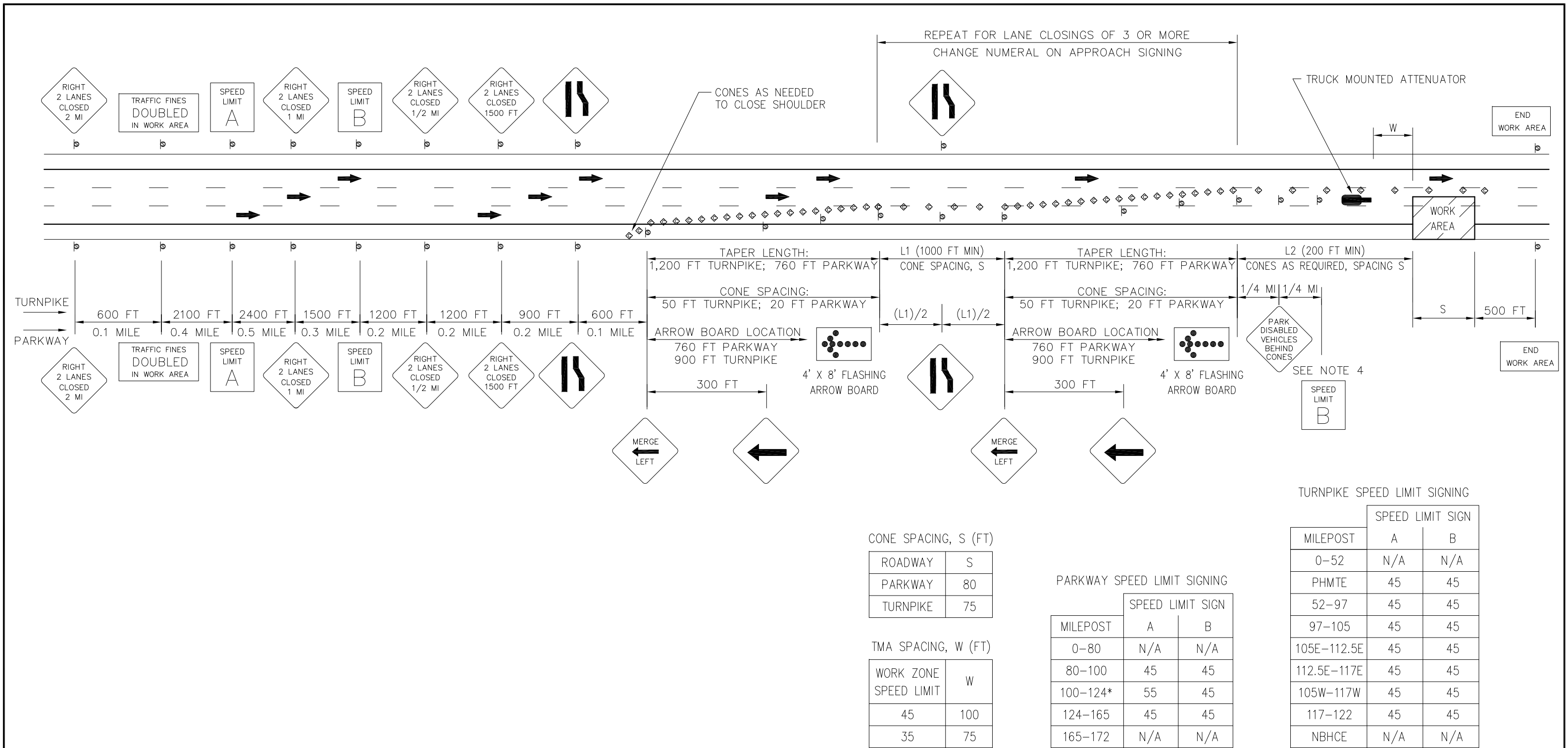
NEW JERSEY TURNPIKE AUTHORITY
TRAFFIC PROTECTION STANDARD DRAWING

LEFT LANE CLOSING

OPERATIONS DEPARTMENT
WOODBRIIDGE, NEW JERSEY
Drawing By: KDD
Checked By: KJM

SCALE: NONE
DATE: 10/2009

TP
2



- NOTES:**
- THIS DETAIL NOT APPLICABLE TO THE EXPRESS ROADWAY OF THE GARDEN STATE PARKWAY FROM MILEPOST 104 TO MILEPOST 118.
 - "L2" DEPENDS ON THE TAPER POINT LOCATION BUT SHALL BE A MINIMUM OF 200 FEET.
 - A LANE CLOSING WILL BE REQUIRED WHEN THE SHOULDER IS LESS THAN 10 FEET WIDE OR WHEN EQUIPMENT IS OPERATED LESS THAN 3 FEET FROM THE TRAVELED LANE. HOWEVER, STABILIZING ATTACHMENTS SUCH AS OUTRIGGERS MAY EXTEND TO THE SHOULDER LINE WITHOUT NECESSITATING THE CLOSING OF THE ADJACENT LANE.
 - A SIGN "PARK DISABLED VEHICLES BEHIND CONES" SHALL BE INSTALLED WHERE SHOWN FOR CLOSINGS OF ONE-HALF MILE OR MORE. SHOULD THE LENGTH OF THE WORK ZONE PERMIT, A SPEED LIMIT SIGN WITH VALUE "B" SHALL BE INSTALLED ONE-QUARTER MILE DOWNSTREAM FROM THE "PARK DISABLED VEHICLES BEHIND CONES" SIGN. THIS SPEED LIMIT SIGN SHALL REPEAT EVERY ONE-HALF MILE SHOULD THE LENGTH OF THE WORK ZONE PERMIT.
 - AS THE WORK AREA ADVANCES WITHIN THE CLOSING, W IS DETERMINED USING A MINIMUM 22,000 POUND VEHICLE IN TABLE 9.4 OF THE 2006 AASHTO ROADSIDE DESIGN GUIDE, 3RD EDITION.

CONE SPACING, S (FT)

ROADWAY	S
PARKWAY	80
TURNPIKE	75

TMA SPACING, W (FT)

WORK ZONE SPEED LIMIT	W
45	100
35	75

SEE NOTE 5

PARKWAY SPEED LIMIT SIGNING

MILEPOST	A	B
0-80	N/A	N/A
80-100	45	45
100-124*	55	45
124-165	45	45
165-172	N/A	N/A

* - SEE NOTE 1

TURNPIKE SPEED LIMIT SIGNING

MILEPOST	A	B
0-52	N/A	N/A
PHMTE	45	45
52-97	45	45
97-105	45	45
105E-112.5E	45	45
112.5E-117E	45	45
105W-117W	45	45
117-122	45	45
NBHCE	N/A	N/A

- LEGEND:**
- ⊙ TEMPORARY TRAFFIC CONTROL SIGN
 - ◇ CONE
 - ➔ DIRECTION OF TRAVEL

No.	DATE	REVISION

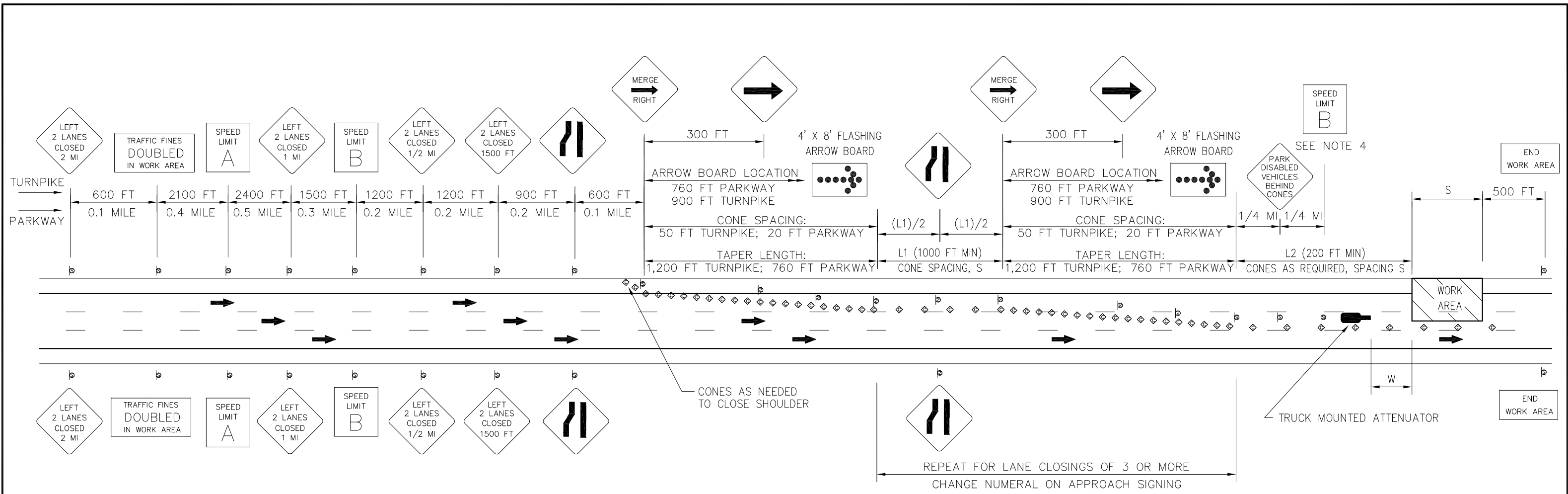
NEW JERSEY TURNPIKE AUTHORITY
TRAFFIC PROTECTION STANDARD DRAWING

MULTIPLE RIGHT LANE CLOSING

OPERATIONS DEPARTMENT
WOODBRIDGE, NEW JERSEY
Drawing By: KDD
Checked By: KJM

SCALE: NONE
DATE: 10/2009

TP
3



NOTES:

1. THIS DETAIL NOT APPLICABLE TO THE EXPRESS ROADWAY OF THE GARDEN STATE PARKWAY FROM MILEPOST 104 TO MILEPOST 118.
2. "L2" DEPENDS ON THE TAPER POINT LOCATION BUT SHALL BE A MINIMUM OF 200 FEET.
3. A LANE CLOSING WILL BE REQUIRED WHEN THE SHOULDER IS LESS THAN 10 FEET WIDE OR WHEN EQUIPMENT IS OPERATED LESS THAN 3 FEET FROM THE TRAVELED LANE. HOWEVER, STABILIZING ATTACHMENTS SUCH AS OUTRIGGERS MAY EXTEND TO THE SHOULDER LINE WITHOUT NECESSITATING THE CLOSING OF THE ADJACENT LANE.
4. A SIGN "PARK DISABLED VEHICLES BEHIND CONES" SHALL BE INSTALLED WHERE SHOWN FOR CLOSINGS OF ONE-HALF MILE OR MORE. SHOULD THE LENGTH OF THE WORK ZONE PERMIT, A SPEED LIMIT SIGN WITH VALUE "B" SHALL BE INSTALLED ONE-QUARTER MILE DOWNSTREAM FROM THE "PARK DISABLED VEHICLES BEHIND CONES" SIGN. THIS SPEED LIMIT SIGN SHALL REPEAT EVERY ONE-HALF MILE SHOULD THE LENGTH OF THE WORK ZONE PERMIT.
5. AS THE WORK AREA ADVANCES WITHIN THE CLOSING, W IS DETERMINED USING A MINIMUM 22,000 POUND VEHICLE IN TABLE 9.4 OF THE 2006 AASHTO ROADSIDE DESIGN GUIDE, 3RD EDITION.

CONE SPACING, S (FT)

ROADWAY	S
PARKWAY	80
TURNPIKE	75

TMA SPACING, W (FT)

WORK ZONE SPEED LIMIT	W
45	100
35	75

SEE NOTE 5

PARKWAY SPEED LIMIT SIGNING

MILEPOST	SPEED LIMIT SIGN	
	A	B
0-80	N/A	N/A
80-100	45	45
100-124*	55	45
124-165	45	45
165-172	N/A	N/A

* - SEE NOTE 1

TURNPIKE SPEED LIMIT SIGNING

MILEPOST	SPEED LIMIT SIGN	
	A	B
0-52	N/A	N/A
PHMTE	45	45
52-97	45	45
97-105	45	45
105E-112.5E	45	45
112.5E-117E	45	45
105W-117W	45	45
117-122	45	45
NBHCE	N/A	N/A

LEGEND:

- Ⓢ TEMPORARY TRAFFIC CONTROL SIGN
- ⬢ CONE
- ➔ DIRECTION OF TRAVEL

No.	DATE	REVISION

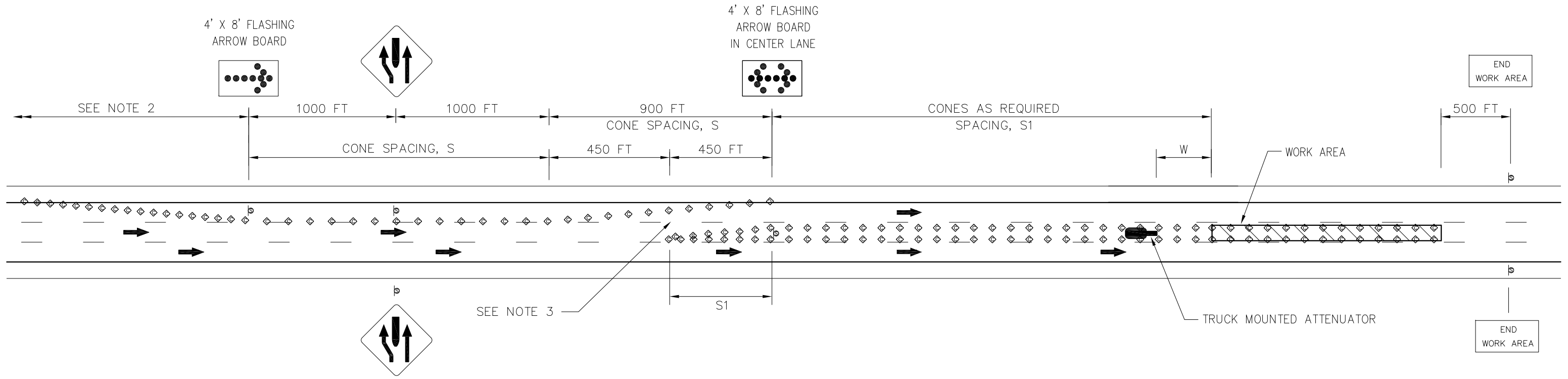
**NEW JERSEY TURNPIKE AUTHORITY
TRAFFIC PROTECTION STANDARD DRAWING**

MULTIPLE LEFT LANE CLOSING

OPERATIONS DEPARTMENT
WOODBRIDGE, NEW JERSEY
Drawing By: KDD
Checked By: KJM

SCALE: NONE
DATE: 10/2009





SEE NOTE 3

CONE SPACING, S, S1 (FT)			TMA SPACING, W (FT)	
ROADWAY	S	S1	WORK ZONE SPEED LIMIT	W
PARKWAY	80	20	45	100
TURNPIKE	75	50	35	75

SEE NOTE 4

NOTES:

1. THIS DETAIL IS FOR EMERGENCY USE ONLY AND IS APPLICABLE TO THREE-LANE ROADWAY SECTIONS ONLY.
2. A LEFT LANE CLOSING IS REQUIRED PRIOR TO THE TEMPORARY TRAFFIC CONTROL PLAN ILLUSTRATED. THE TAPER AND ADJACENT ARROW BOARD IN THIS AREA ARE THOSE CALLED FOR IN THE LEFT LANE CLOSING DETAIL.
3. MINIMUM WIDTH OF THE TRANSITIONING LANE IS 16 FEET.
4. AS THE WORK AREA ADVANCES WITHIN THE CLOSING, W IS DETERMINED USING A MINIMUM 22,000 POUND VEHICLE IN TABLE 9.4 OF THE 2006 AASHTO ROADSIDE DESIGN GUIDE, 3RD EDITION.

LEGEND:

- Ⓢ TEMPORARY TRAFFIC CONTROL SIGN
- ◇ CONE
- ➔ DIRECTION OF TRAVEL

No.	DATE	REVISION

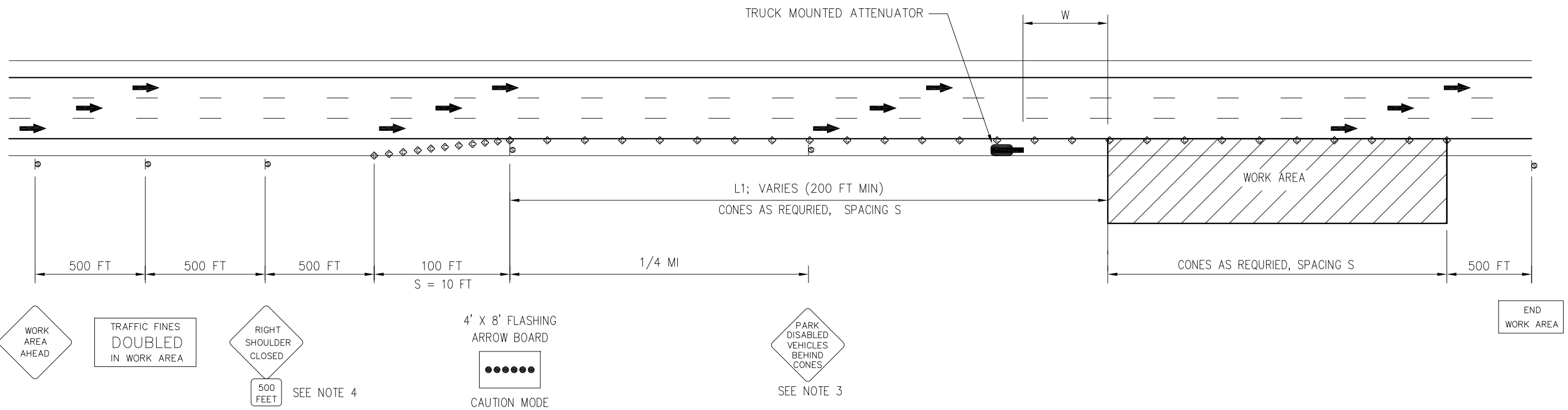
NEW JERSEY TURNPIKE AUTHORITY
TRAFFIC PROTECTION STANDARD DRAWING

INTERIOR LANE CLOSING

OPERATIONS DEPARTMENT
 WOODBRIDGE, NEW JERSEY
 Drawing By: KDD
 Checked By: KJM

SCALE: NONE
 DATE: 10/2009

TP
5



CONE SPACING, S (FT)	
ROADWAY	S
PARKWAY	80
TURNPIKE	50

TMA SPACING, W (FT)	
SPEED LIMIT	W
55+	150
45	100
35	75

SEE NOTE 5

NOTES:

- "L1" DEPENDS ON THE TAPER POINT LOCATION BUT SHALL BE A MINIMUM OF 200 FEET.
- A LANE CLOSING WILL BE REQUIRED WHEN THE SHOULDER IS LESS THAN 10 FEET WIDE OR WHEN EQUIPMENT IS OPERATED LESS THAN 3 FEET FROM THE TRAVELED LANE. HOWEVER, STABILIZING ATTACHMENTS SUCH AS OUTRIGGERS MAY EXTEND TO THE SHOULDER LINE WITHOUT NECESSITATING THE CLOSING OF THE ADJACENT LANE.
- SHOULDER CLOSINGS LESS THAN ONE-HALF MILE IN LENGTH MAY OMIT THE "PARK DISABLED VEHICLES BEHIND CONES" SIGN.
- ONLY INSTALLATIONS ON PORTABLE SIGN STANDS MAY OMIT THE SUPPLEMENTAL SIGN "500 FEET".
- AS THE WORK AREA ADVANCES WITHIN THE CLOSING, W IS DETERMINED USING A MINIMUM 22,000 POUND VEHICLE IN TABLE 9.4 OF THE 2006 AASHTO ROADSIDE DESIGN GUIDE, 3RD EDITION.

LEGEND:

- TEMPORARY TRAFFIC CONTROL SIGN
- CONE
- DIRECTION OF TRAVEL

No.	DATE	REVISION

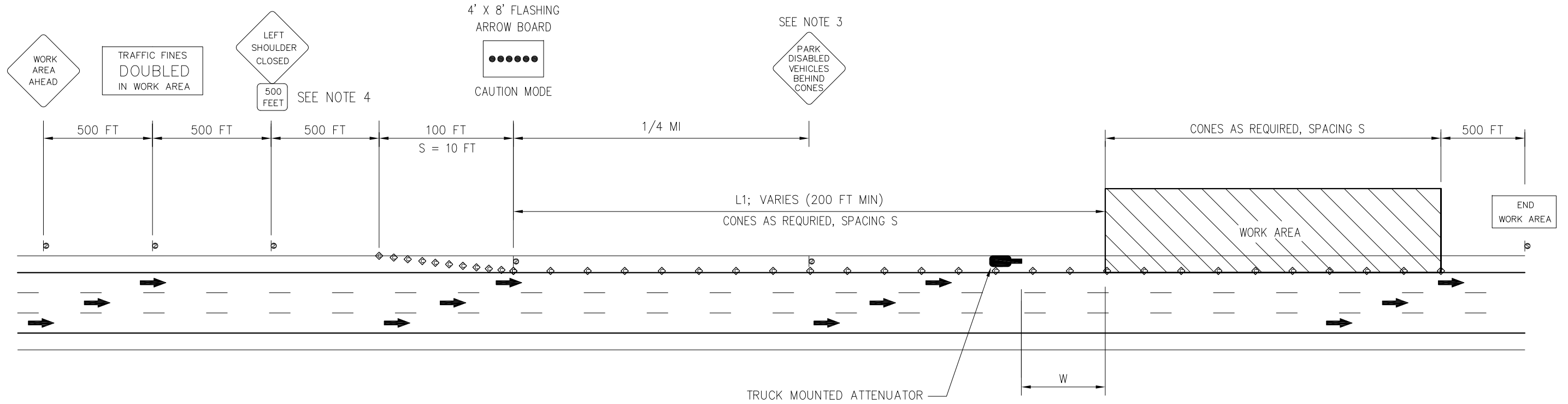
**NEW JERSEY TURNPIKE AUTHORITY
TRAFFIC PROTECTION STANDARD DRAWING**

RIGHT SHOULDER CLOSING

OPERATIONS DEPARTMENT
WOODBRIDGE, NEW JERSEY
Drawing By: KDD
Checked By: KJM

SCALE: NONE
DATE: 10/2009

TP
6



ROADWAY	S
PARKWAY	80
TURNPIKE	50

SPEED LIMIT	W
55+	150
45	100
35	75

SEE NOTE 5

NOTES:

- "L1" DEPENDS ON THE TAPER POINT LOCATION BUT SHALL BE A MINIMUM OF 200 FEET.
- A LANE CLOSING WILL BE REQUIRED WHEN THE SHOULDER IS LESS THAN 10 FEET WIDE OR WHEN EQUIPMENT IS OPERATED LESS THAN 3 FEET FROM THE TRAVELED LANE. HOWEVER, STABILIZING ATTACHMENTS SUCH AS OUTRIGGERS MAY EXTEND TO THE SHOULDER LINE WITHOUT NECESSITATING THE CLOSING OF THE ADJACENT LANE.
- SHOULDER CLOSINGS LESS THAN ONE-HALF MILE IN LENGTH MAY OMIT THE "PARK DISABLED VEHICLES BEHIND CONES" SIGN.
- ONLY INSTALLATIONS ON PORTABLE SIGN STANDS MAY OMIT THE SUPPLEMENTAL SIGN "500 FEET".
- AS THE WORK AREA ADVANCES WITHIN THE CLOSING, W IS DETERMINED USING A MINIMUM 22,000 POUND VEHICLE IN TABLE 9.4 OF THE 2006 AASHTO ROADSIDE DESIGN GUIDE, 3RD EDITION.

LEGEND:

- Ⓢ TEMPORARY TRAFFIC CONTROL SIGN
- ◇ CONE
- ➔ DIRECTION OF TRAVEL

No.	DATE	REVISION

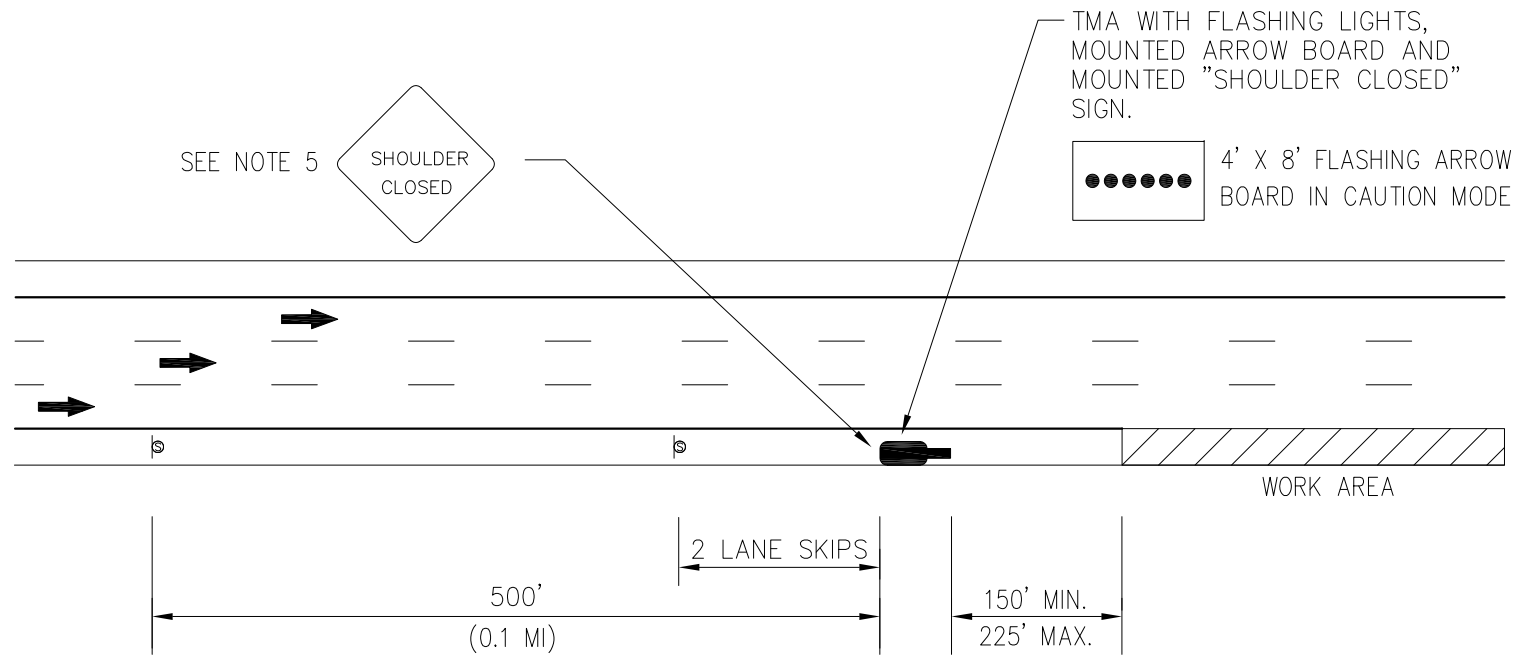
NEW JERSEY TURNPIKE AUTHORITY
TRAFFIC PROTECTION STANDARD DRAWING

LEFT SHOULDER CLOSING

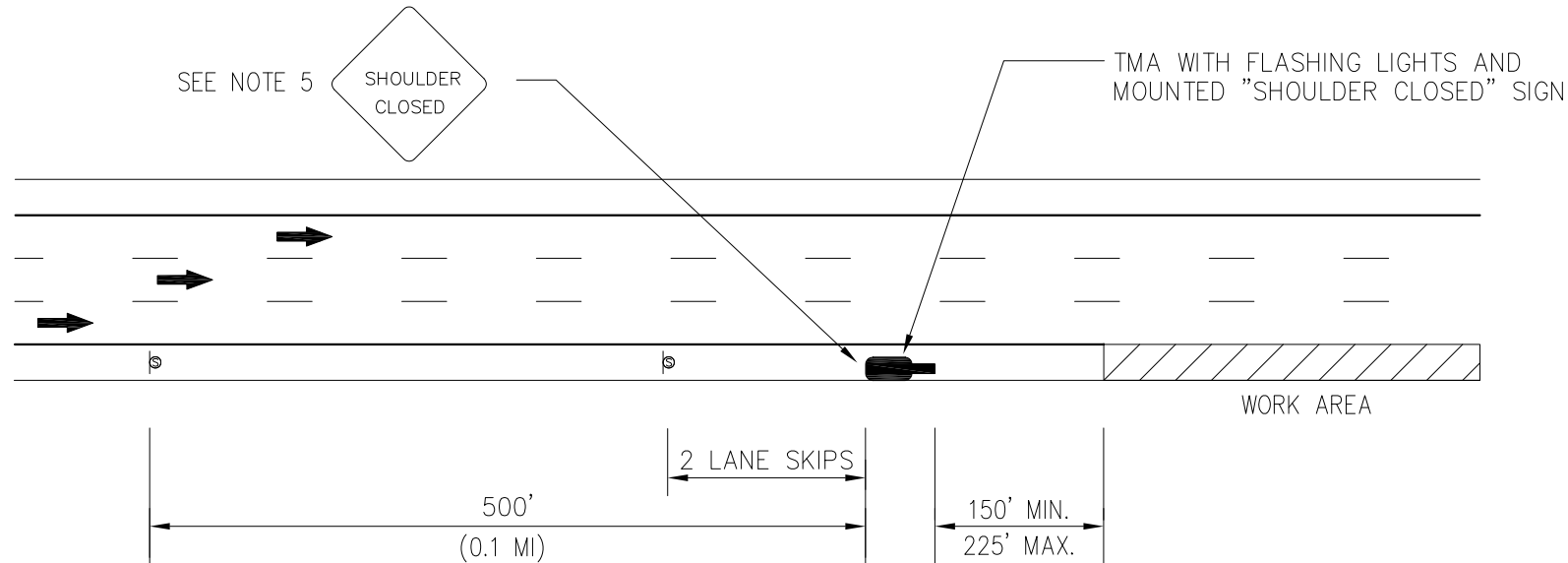
OPERATIONS DEPARTMENT
 WOODBRIDGE, NEW JERSEY
 Drawing By: KDD
 Checked By: KJM

SCALE: NONE
 DATE: 10/2009

TP
7



SHORT DURATION SHOULDER CLOSING "A"



SHORT DURATION SHOULDER CLOSING "B"

NOTES:

- SHORT DURATION SHOULDER CLOSINGS ARE APPLICABLE WHERE ESTIMATED WORK IS 30 MINUTES IN DURATION OR LESS. THIS INCLUDES, BUT IS NOT LIMITED TO:
 - TOP OF BRIDGE DECK INSPECTION WITHOUT ANY EQUIPMENT OCCUPYING THE SHOULDER,
 - VISUAL SUBSTRUCTURE INSPECTION FROM GROUND WITHOUT ANY EQUIPMENT OCCUPYING THE SHOULDER, INCLUDING LADDERS,
 - CONTRACTOR LAYOUTS WITHOUT EQUIPMENT OCCUPYING THE SHOULDER,
 - RELAMPING AREA LIGHTING,
 - SIGNING ACTIVITIES,
 - TREE TRIMMING,
 - GUIDE RAIL TREATMENTS,
 - DRAIN CLEANING AND/OR POTHOLE REPAIR,
 - CRASH AND OR INCIDENT INVESTIGATION,
 - WEATHER STATION REPAIR,
 - COMMUNICATION AND OR CONTROL CABLE SURVEYING,
 - WIRELESS COMMUNICATION REPAIR,
 - TRAFFIC SURVEILLANCE AND/OR ITS REPAIRS.
 ESTIMATED DURATIONS OF WORK GREATER THAN 30 MINUTES SHALL REFER TO THE GUIDANCE ON THE STANDARD DETAIL ENTITLED "RIGHT (LEFT) SHOULDER CLOSING" OR OTHER APPLICABLE STANDARD DETAIL.
- SHORT DURATION LEFT SHOULDER CLOSING SIMILAR TO THAT SHOWN.
- COMPLIANCE WITH VERSION "A" OF THE SHORT DURATION SHOULDER CLOSING IS REQUIRED. VERSION "B" OF THE SHORT TERM SHOULDER CLOSING SHALL BE ONLY AT THE DIRECTION OF THE ENGINEER, AS APPROVED BY THE OPERATIONS DEPARTMENT OR THE STATE POLICE.
- THE TRUCK WITH MOUNTED ATTENUATOR AND "WORK AREA 500 FT" SIGN SHALL BE MOVED DOWNSTREAM AS WORK PROGRESSES IN THAT DIRECTION.
- A 48" x 48" "SHOULDER CLOSED" SIGN SHALL BE CONSPICUOUSLY MOUNTED TO THE BACK OF THE TRUCK MOUNTED ATTENUATOR WITHOUT OBSTRUCTING ANY FLASHING WARNING LIGHTS, DEVICES OR THE ARROW BOARD. IF THIS IS NOT POSSIBLE, THE SIGN SHALL INSTEAD BE PLACED ON THE SHOULDER APPROXIMATELY 2 LANE SKIPS FROM THE TRUCK MOUNTED ATTENUATOR. IF THIS BECOMES THE CASE, IT TOO SHALL BE MOVED DOWNSTREAM WITH THE TRUCK MOUNTED ATTENUATOR AND "WORK AREA 500 FT" SIGN AS WORK PROGRESSES IN THAT DIRECTION.
- A LANE CLOSING WILL BE REQUIRED WHEN THE SHOULDER IS LESS THAN 10 FEET WIDE OR WHEN EQUIPMENT IS OPERATED LESS THAN 3 FEET FROM THE TRAVEL LANE. HOWEVER, STABILIZING ATTACHMENTS SUCH AS OUTRIGGERS MAY EXTEND TO THE SHOULDER LINE WITHOUT NECESSITATING THE CLOSING OF THE ADJACENT LANE.

NEW JERSEY TURNPIKE AUTHORITY
 TRAFFIC PROTECTION STANDARD DRAWING

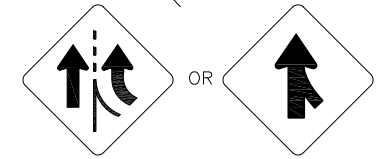
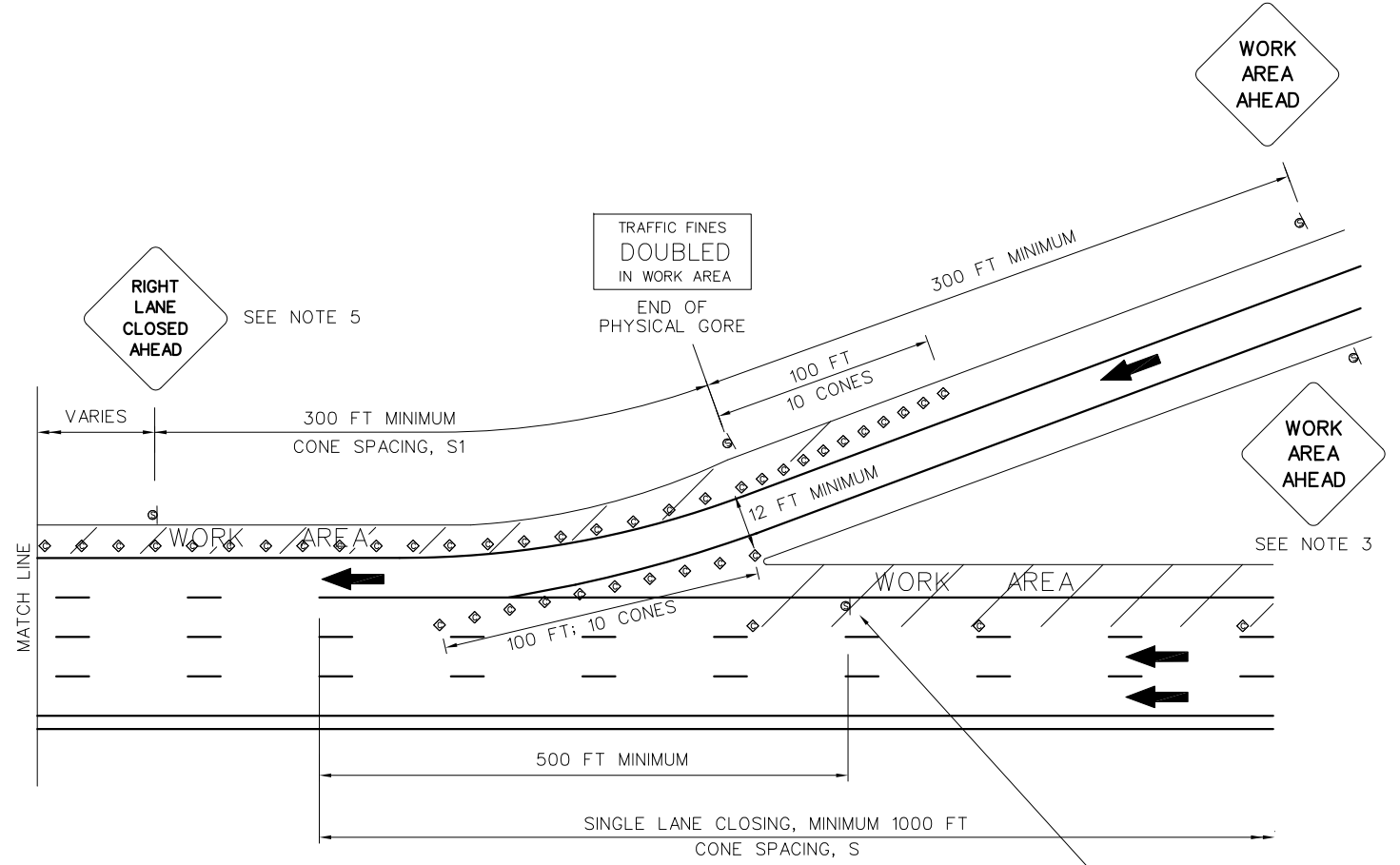
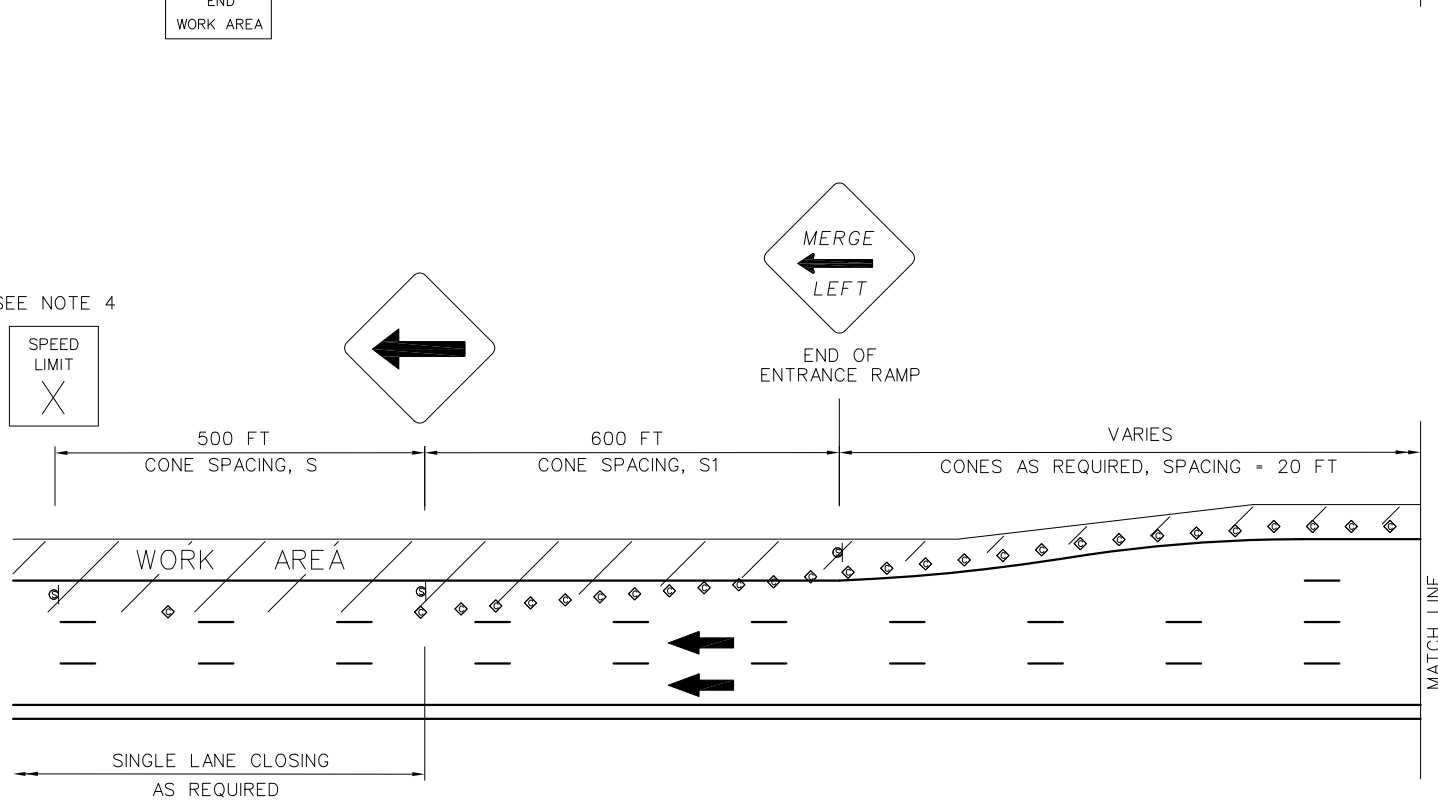
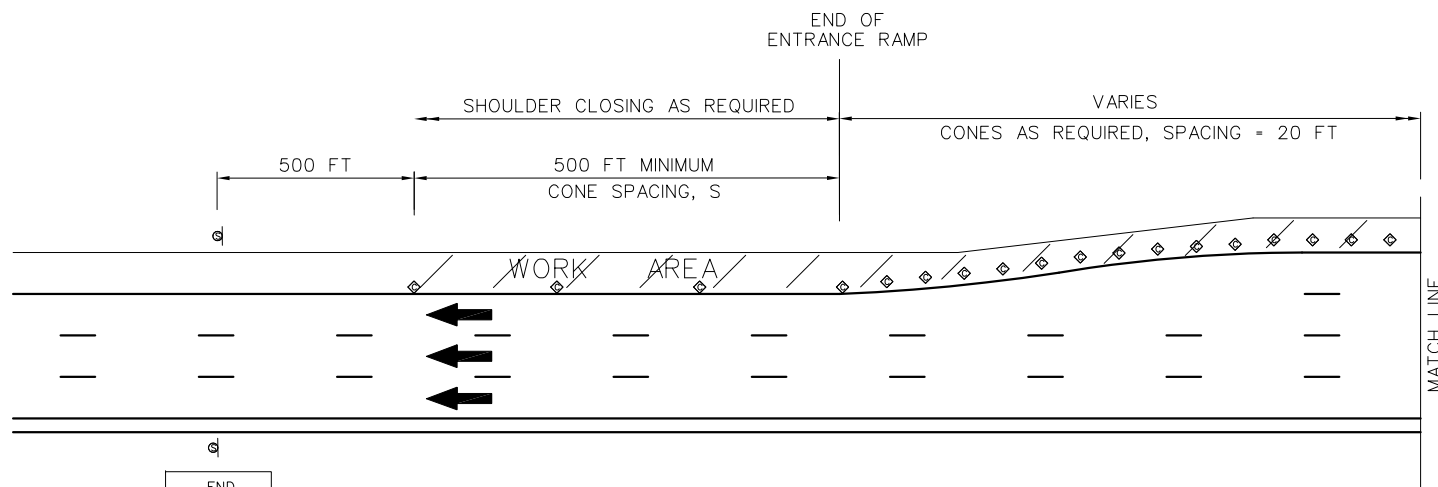
SHORT DURATION SHOULDER CLOSING

OPERATIONS DEPARTMENT
 WOODBRIDGE, NEW JERSEY
 Drawing By: KDD
 Checked By: KJM

SCALE: NONE
 DATE: 10/2009

TP
8

No.	DATE	REVISION



CONE SPACING, S, S1 (FT)

ROADWAY	S	S1
PARKWAY	80	20
TURNPIKE	75	50

LEGEND:

⊙ TEMPORARY TRAFFIC CONTROL SIGN

◇ CONE

➔ DIRECTION OF TRAVEL

NOTES:

- SIGN LOCATIONS MAY BE ADJUSTED IN THE FIELD A MAXIMUM OF 50 FEET IN EITHER DIRECTION.
- LEFT SIDE PARALLEL ENTRANCE RAMPs SIMILAR. SIGNING WITH ARROWS SHALL BE MIRRORRED. "MERGE LEFT" SHALL BECOME "MERGE RIGHT".
- MULTI-LANE RAMPs SHOULD RECEIVE A SECOND "WORK AREA AHEAD" SIGN ON THE OPPOSITE SIDE OF THE RAMP OR STREET.
- SPEED LIMIT SIGN SHALL DISPLAY AN IDENTICAL SPEED LIMIT AS THE ADJACENT SPEED LIMIT SIGN UPSTREAM AS ESTABLISHED THROUGH THE SINGLE LANE CLOSING.
- "RIGHT LANE CLOSED AHEAD" SIGN SHOWN FOR ILLUSTRATION. OTHER SIGNS THAT MAY BE REQUIRED HERE DEPEND ON CONDITIONS DOWNSTREAM SUCH AS "RIGHT 2 LANES CLOSED AHEAD", "LEFT LANE CLOSED AHEAD" OR "LEFT 2 LANES CLOSED AHEAD". NO SIGN IS PLACED AT THIS LOCATION IF ONLY THE DOWNSTREAM SHOULDER IS CLOSED.

No.	DATE	REVISION

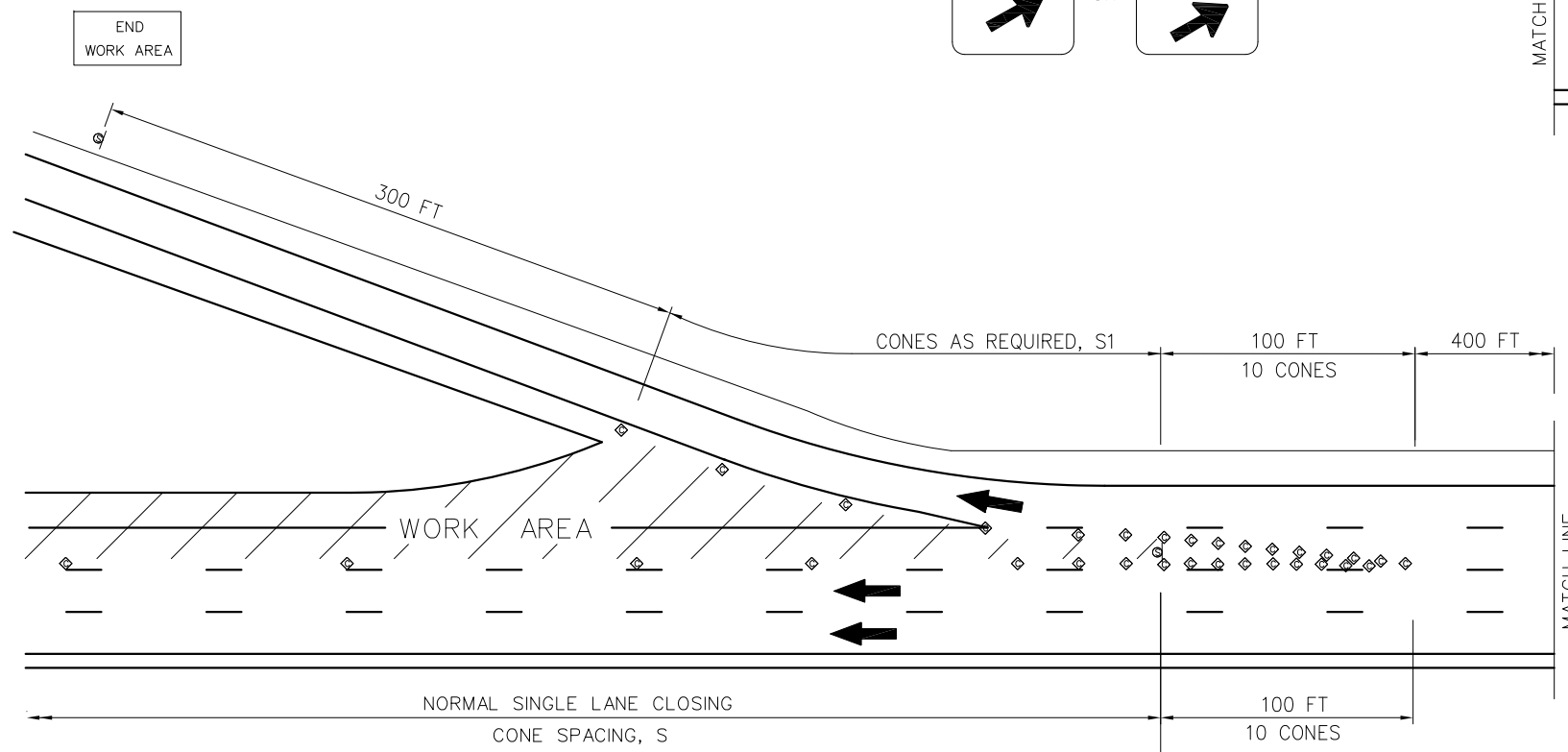
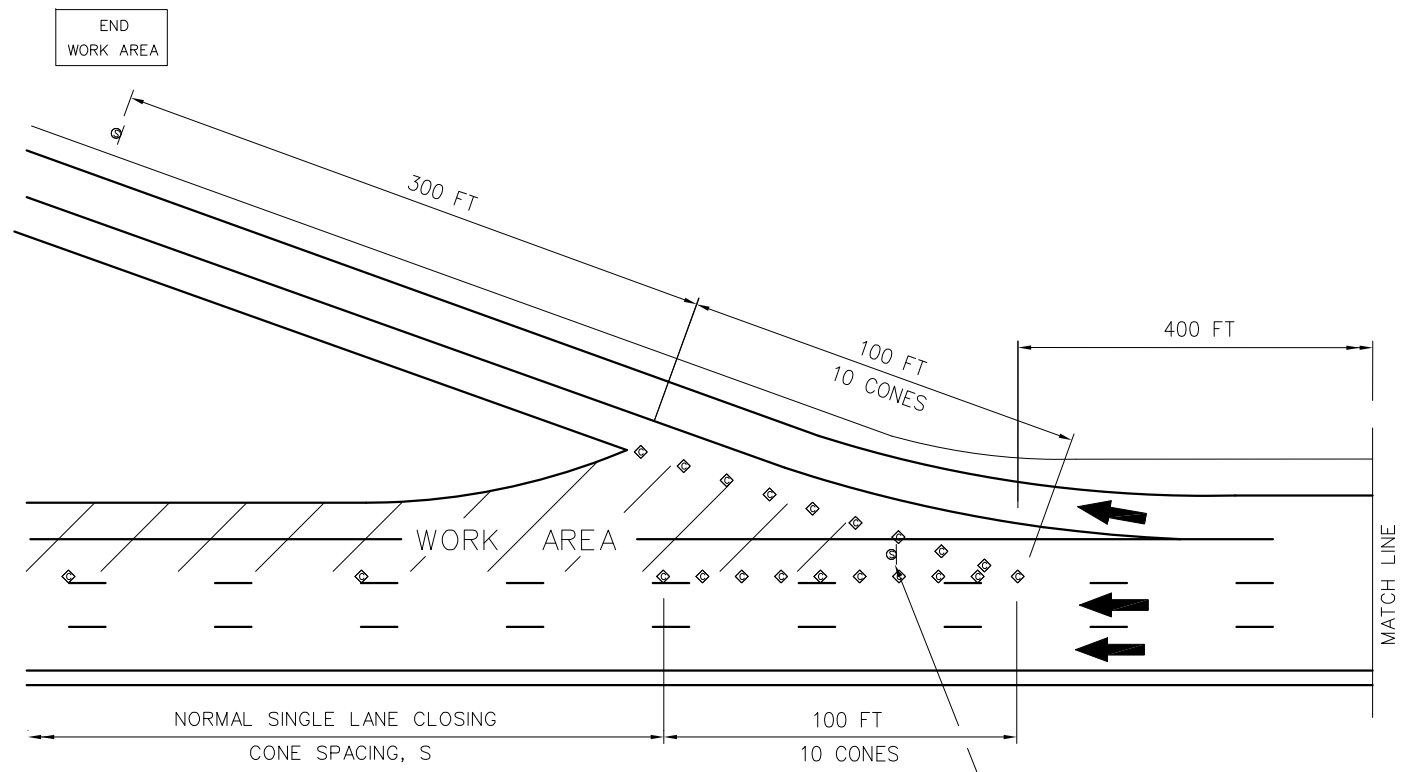
NEW JERSEY TURNPIKE AUTHORITY
TRAFFIC PROTECTION STANDARD DRAWING

LANE CLOSING THROUGH PARALLEL ENTRANCE RAMP

OPERATIONS DEPARTMENT
WOODBRIDGE, NEW JERSEY
Drawing By: KDD
Checked By: KJM

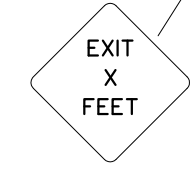
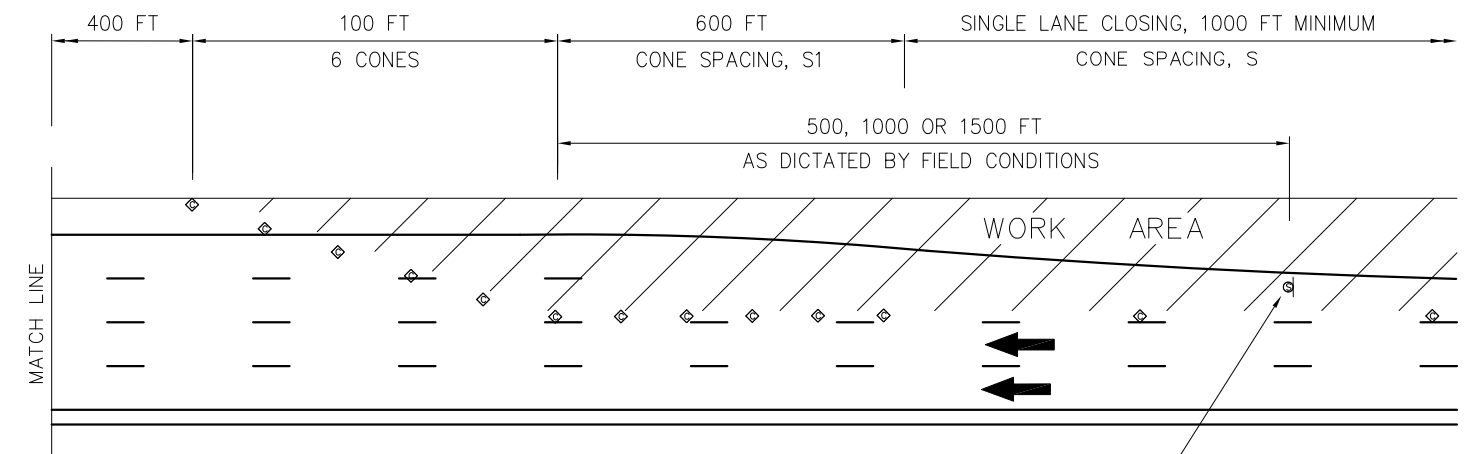
SCALE: NONE
DATE: 10/2009

TP
9



NOTES:

1. SIGN LOCATIONS MAY BE ADJUSTED IN THE FIELD A MAXIMUM OF 50 FEET IN EITHER DIRECTION.
2. LEFT SIDE PARALLEL EXIT RAMP SIMILAR. SIGNING SHALL MIRROR THE ARROW.



CONE SPACING, S, S1 (FT)

ROADWAY	S	S1
PARKWAY	80	20
TURNPIKE	75	50

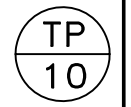
- LEGEND:**
- ⊙ TEMPORARY TRAFFIC CONTROL SIGN
 - ◇ CONE
 - ➔ DIRECTION OF TRAVEL

**NEW JERSEY TURNPIKE AUTHORITY
TRAFFIC PROTECTION STANDARD DRAWING**

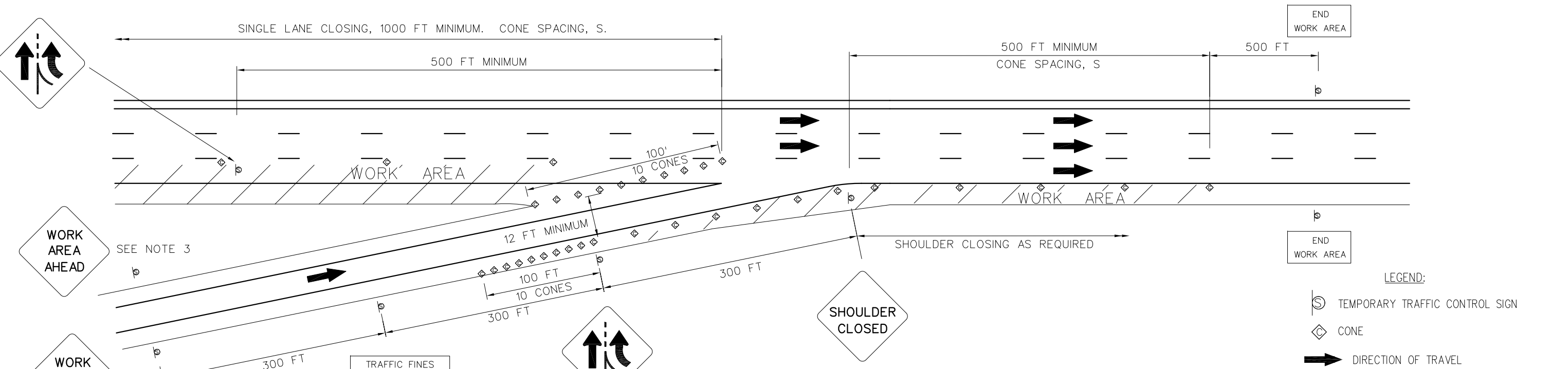
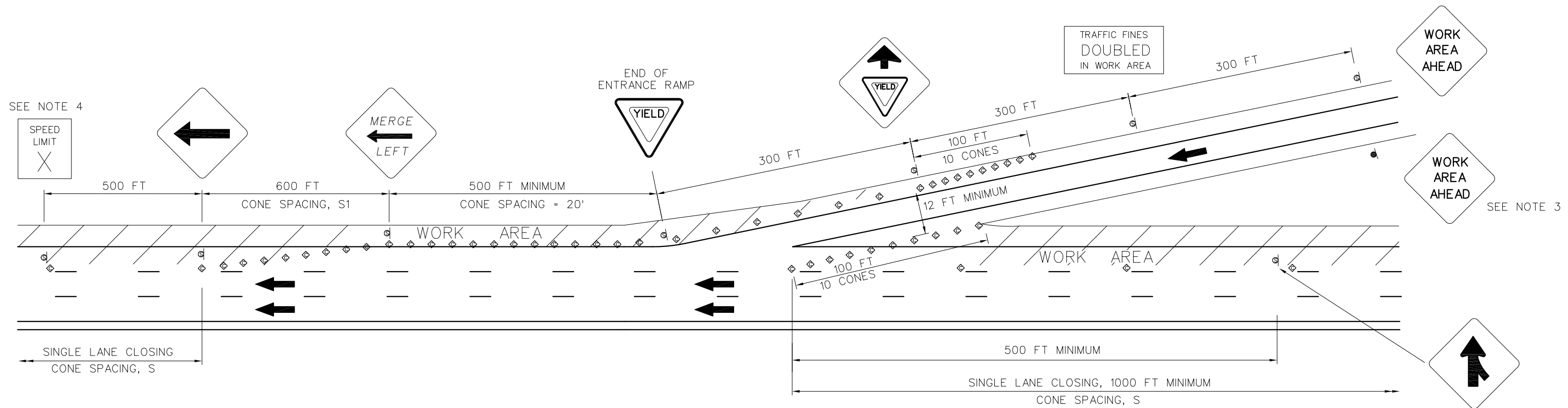
**LANE CLOSING THROUGH
PARALLEL EXIT RAMP**

OPERATIONS DEPARTMENT
WOODBRIDGE, NEW JERSEY
Drawing By: KDD
Checked By: KJM

SCALE: NONE
DATE: 10/2009



No.	DATE	REVISION



LEGEND:
 (S) TEMPORARY TRAFFIC CONTROL SIGN
 (C) CONE
 → DIRECTION OF TRAVEL

ROADWAY	S	S1
PARKWAY	80	20
TURNPIKE	75	50

- SIGN LOCATIONS MAY BE ADJUSTED IN THE FIELD A MAXIMUM OF 50 FEET IN EITHER DIRECTION.
- LEFT SIDE TAPER ENTRANCE RAMPs SIMILAR. EXCEPT "YIELD AHEAD", SIGNING WITH ARROWS SHALL BE MIRRORRED. "MERGE LEFT" SHALL BECOME "MERGE RIGHT".
- MULTI-LANE RAMPs SHOULD RECEIVE A SECOND "WORK AREA AHEAD" SIGN ON THE OPPOSITE SIDE OF THE RAMP OR STREET.
- SPEED LIMIT SIGN SHALL DISPLAY AN IDENTICAL SPEED LIMIT AS THE ADJACENT SPEED LIMIT SIGN UPSTREAM AS ESTABLISHED THROUGH THE SINGLE LANE CLOSING.

NEW JERSEY TURNPIKE AUTHORITY
TRAFFIC PROTECTION STANDARD DRAWING

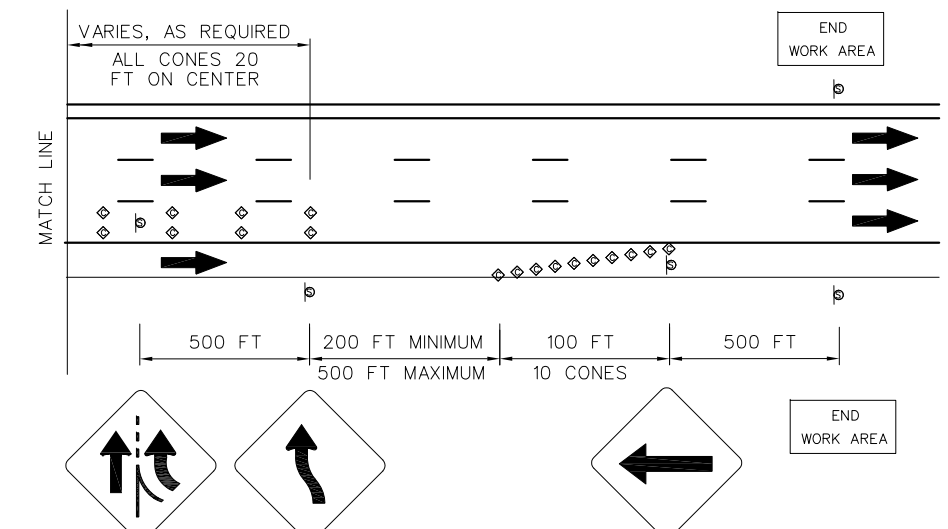
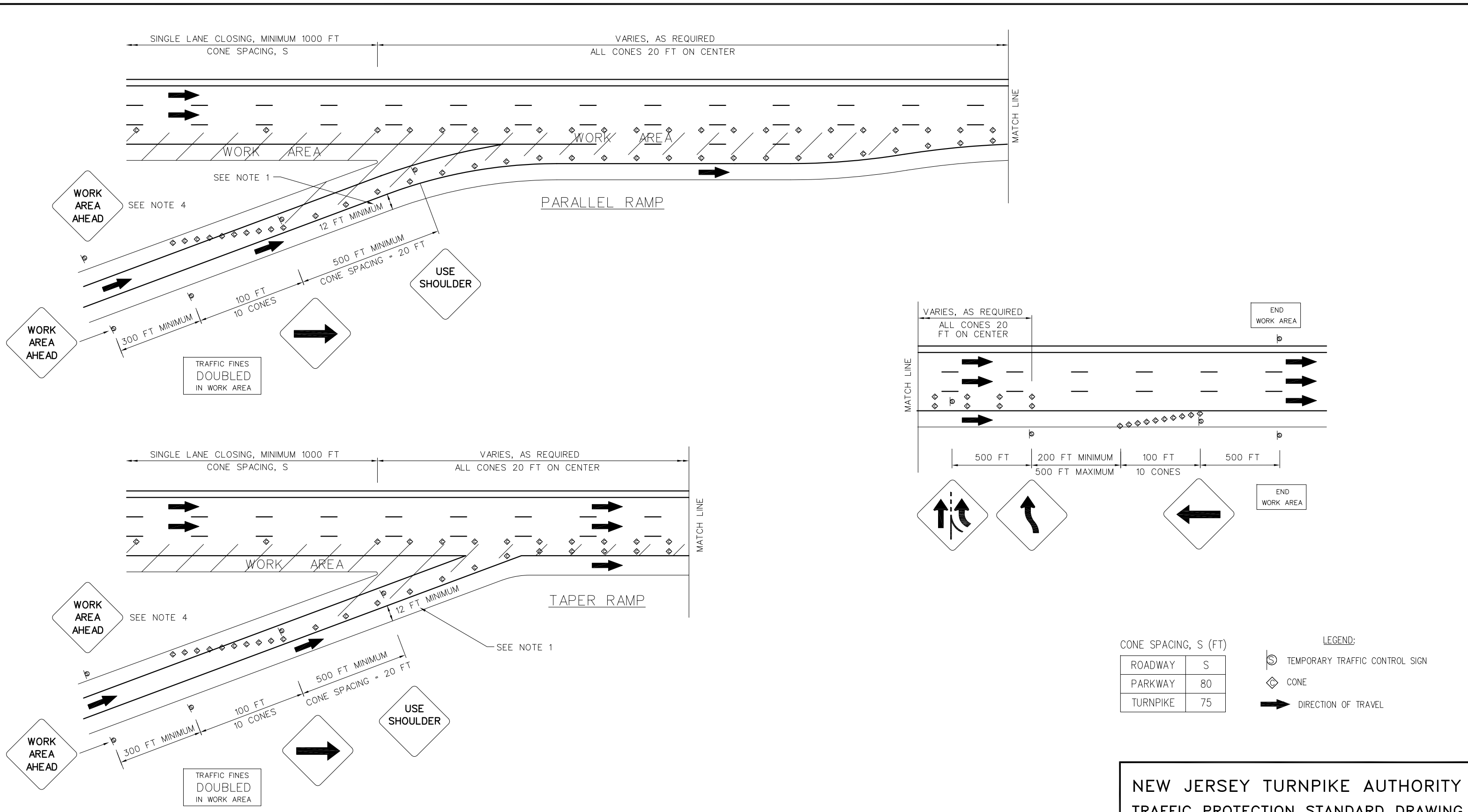
LANE CLOSING THROUGH TAPER ENTRANCE RAMP

OPERATIONS DEPARTMENT
 WOODBRIDGE, NEW JERSEY
 Drawing By: KDD
 Checked By: KJM

SCALE: NONE
 DATE: 10/2009

TP
11

No.	DATE	REVISION



CONE SPACING, S (FT)

ROADWAY	S
PARKWAY	80
TURNPIKE	75

LEGEND:

- TEMPORARY TRAFFIC CONTROL SIGN
- CONE
- DIRECTION OF TRAVEL

- NOTES:
1. MINIMUM SHOULDER WIDTH IS 12 FEET OR OTHERWISE APPROVED BY THE OPERATIONS DEPARTMENT.
 2. SIGN LOCATIONS MAY BE ADJUSTED IN THE FIELD A MAXIMUM OF 50 FEET IN EITHER DIRECTION.
 3. LEFT SIDE PARALLEL ENTRANCE RAMPS SIMILAR. SIGNING WITH ARROWS SHALL BE MIRRORED.
 4. MULTI-LANE RAMPS SHOULD RECEIVE A SECOND "WORK AREA AHEAD" SIGN ON THE OPPOSITE SIDE OF THE RAMP OR STREET.

No.	DATE	REVISION

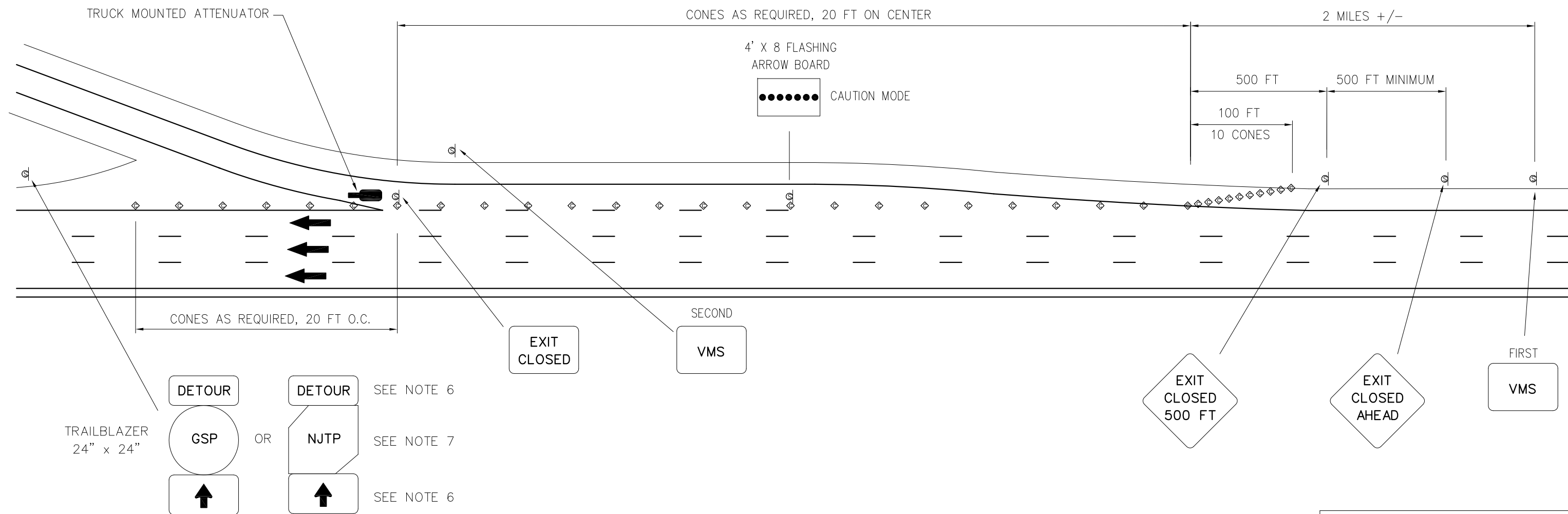
NEW JERSEY TURNPIKE AUTHORITY
TRAFFIC PROTECTION STANDARD DRAWING

ENTRANCE RAMP SHOULDER DIVERSION

OPERATIONS DEPARTMENT
WOODBRIDGE, NEW JERSEY
Drawing By: KDD
Checked By: KJM

SCALE: NONE
DATE: 10/2009

TP
12



NOTES:

- SIGN LOCATIONS MAY BE ADJUSTED IN THE FIELD A MAXIMUM OF 50 FEET IN EITHER DIRECTION.
- LEFT EXIT CLOSINGS SIMILAR.
- SEE STANDARD DETAIL TP-21 FOR ADDITIONAL GUIDANCE ON ING.
- IN ADDITION TO THE PORTABLE VARIABLE MESSAGE SIGN UNIT LOCATED APPROXIMATELY 2 MILES UPSTREAM FROM THE RAMP CLOSING, A SECOND PORTABLE VARIABLE MESSAGE SIGN UNIT SHALL BE PLACED AT THE EXIT RAMP FOR USE 6 DAYS PRIOR TO THE SCHEDULED WORK. BOTH SIGN UNITS DISSEMINATE THE SAME MESSAGES 6 DAYS IN ADVANCE. UPON COMMENCEMENT OF THE RAMP CLOSING THE SECOND PORTABLE VARIABLE MESSAGE SIGN UNIT IS TO BE REMOVED.
- GROUND MOUNTED DETOUR SIGNING SHALL BE PROVIDED AND MAINTAINED THROUGHOUT THE EXTENT AND DURATION OF THE DETOUR AND SHALL CONFORM TO THE STANDARDS AND DESIGNS PRESENTED IN THE MOST RECENT EDITIONS OF THE MANUAL ON UNIFORM TRAFFIC CONTROL DEVICES AND STANDARD HIGHWAY SIGNS BOOK AUTHORED BY THE FEDERAL HIGHWAY ADMINISTRATION.
- AUXILIARY SIGNING SHALL BE BLACK LEGEND ON AN ORANGE BACKGROUND AND SHALL CONFORM TO THE M5 AND M6 SERIES SIGNING AS SPECIFIED IN CHAPTER 2D OF THE MOST RECENT EDITION OF THE MANUAL ON UNIFORM TRAFFIC CONTROL DEVICES AUTHORED BY THE FEDERAL HIGHWAY ADMINISTRATION.
- IF NECESSARY, THE INTERSTATE SHIELD FOR INTERSTATE 95 OR INTERSTATE 78 MAY BE ADDED TO THE ASSEMBLY BUT SHALL BE INSTALLED ABOVE THE TURNPIKE TRAILBLAZER. WHEN THIS BECOMES THE CASE, THE CARDINAL DIRECTIONS AND THE AUXILIARY ARROWS SHALL MATCH THE COLOR SCHEMES OF THE INTERSTATE SHIELD.

PORTABLE VARIABLE MESSAGE SIGN LEGEND PLAN		
	FIRST MESSAGE	SECOND MESSAGE
SIX DAYS IN ADVANCE	EXIT XXX	STARTING
	TO	**DAY**
	CLOSE	**TIME**
DURING SCHEDULED WORK	FIRST MESSAGE	SECOND MESSAGE
	EXIT XXX	FOLLOW
	CLOSED	DETOUR
	2 MI	

LEGEND:

- TEMPORARY TRAFFIC CONTROL SIGN
- CONE
- DIRECTION OF TRAVEL

No.	DATE	REVISION

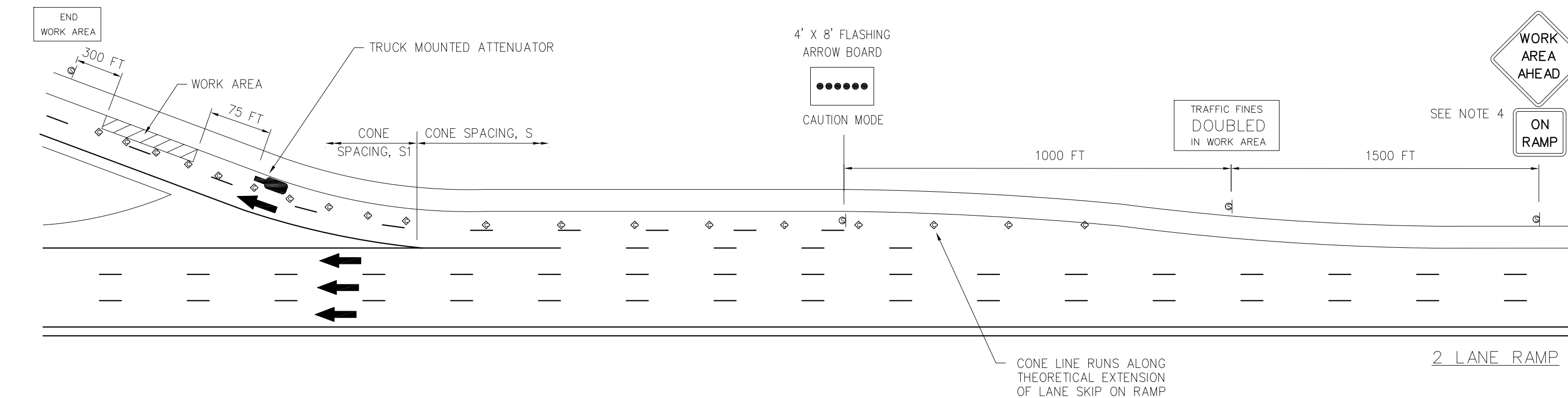
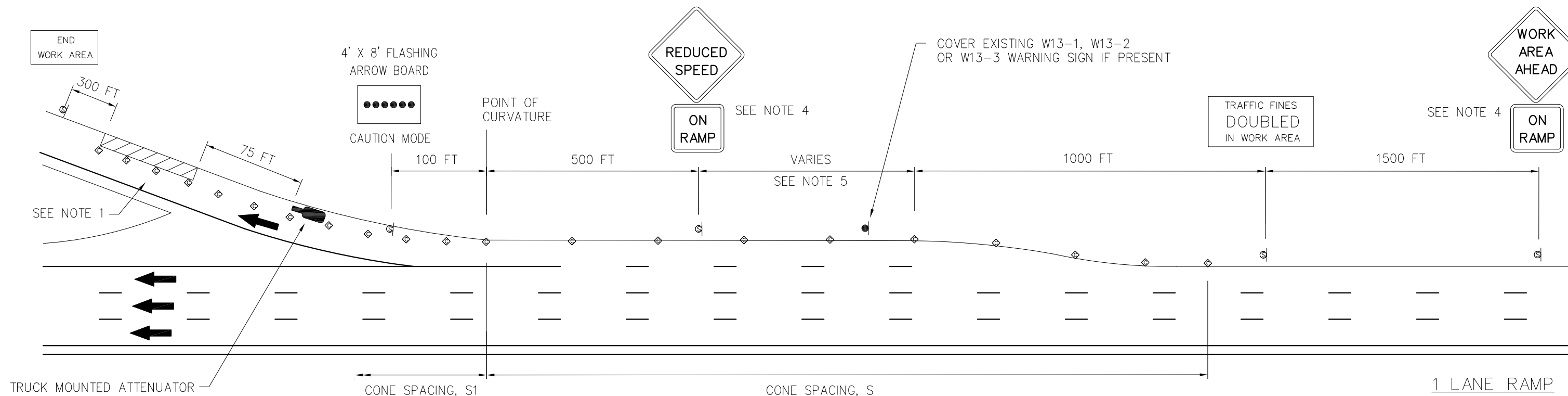
NEW JERSEY TURNPIKE AUTHORITY
TRAFFIC PROTECTION STANDARD DRAWING

RAMP CLOSING WITH DETOUR

OPERATIONS DEPARTMENT
WOODBRIDGE, NEW JERSEY
Drawing By: KDD
Checked By: KJM

SCALE: NONE
DATE: 10/2009

TP
13



NOTES:

1. MINIMUM TRAVEL LANE WIDTH IS TO BE 12 FEET, AS SHOWN ON THE CONTRACT PLANS, OR OTHERWISE APPROVED BY THE OPERATIONS DEPARTMENT.
2. SIGN LOCATIONS MAY BE ADJUSTED IN THE FIELD A MAXIMUM OF 50 FEET IN EITHER DIRECTION.
3. LEFT EXIT CLOSINGS SIMILAR.
4. ONLY INSTALLATIONS ON PORTABLE SIGN STANDS MAY OMIT THE SUPPLEMENTAL SIGN "ON RAMP".
5. THIS IS ZERO IF THE ADJACENT 500 FEET CAN NOT BE OBTAINED.

LEGEND:

- Ⓢ TEMPORARY TRAFFIC CONTROL SIGN
- ◇ CONE
- ➔ DIRECTION OF TRAVEL

CONE SPACING, S, S1 (FT)

ROADWAY	S	S1
PARKWAY	80	20
TURNPIKE	75	50

No.	DATE	REVISION

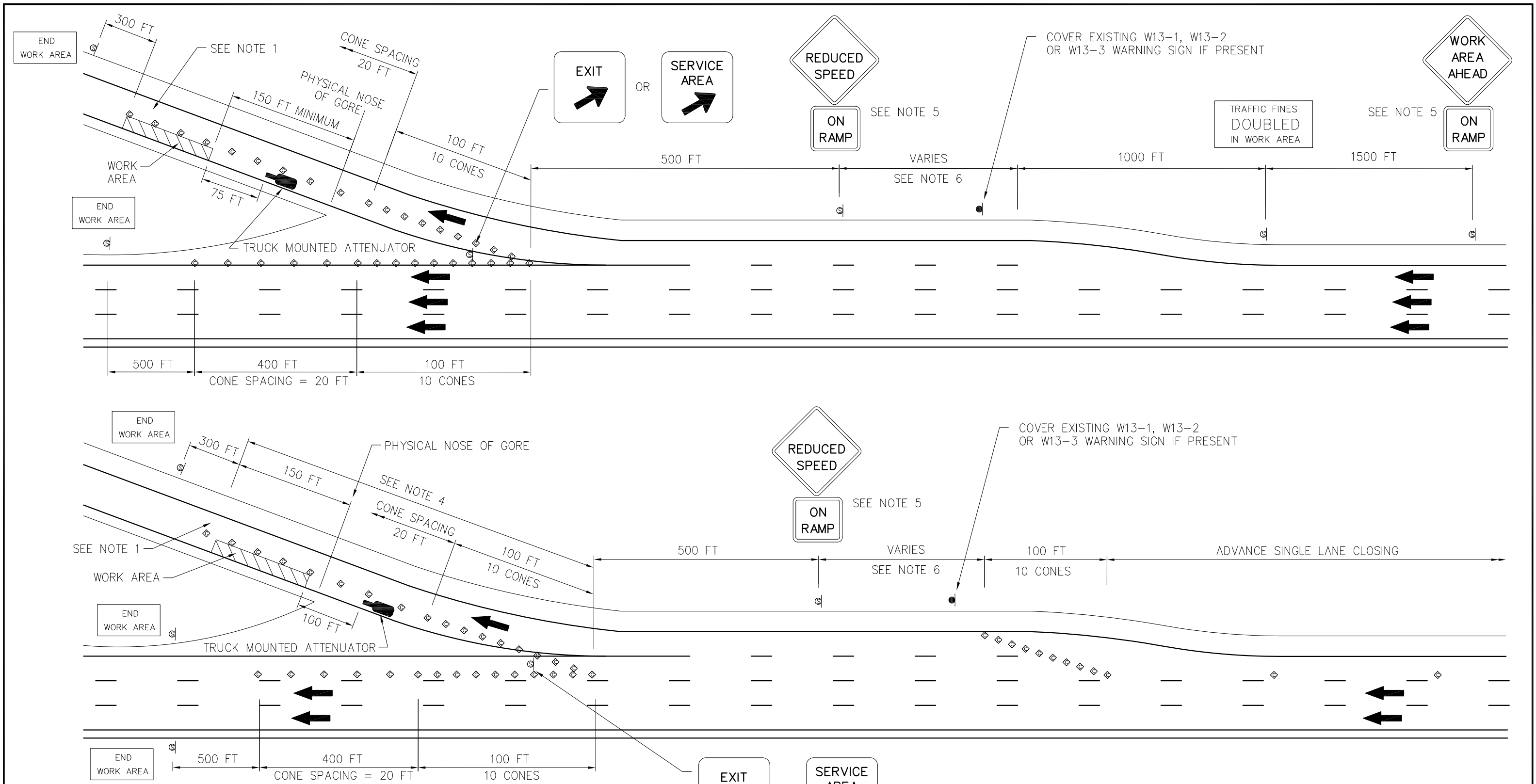
**NEW JERSEY TURNPIKE AUTHORITY
TRAFFIC PROTECTION STANDARD DRAWING**

RIGHT HALF RAMP CLOSING

OPERATIONS DEPARTMENT
WOODBRIDGE, NEW JERSEY
Drawing By: KDD
Checked By: KJM

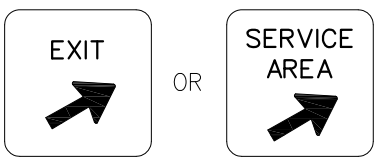
SCALE: NONE
DATE: 10/2009

TP
14



NOTES:

1. MINIMUM LANE WIDTH IS TO BE 12 FEET OR OTHERWISE APPROVED BY THE OPERATIONS DEPARTMENT.
2. LEFT EXIT CLOSINGS SIMILAR.
3. SIGN LOCATIONS MAY BE ADJUSTED IN THE FIELD A MAXIMUM OF 50 FEET IN EITHER DIRECTION.
4. WHEN ANY PORTION OF THE WORK AREA FALLS WITHIN THIS AREA, AN ADVANCE SINGLE LANE CLOSING WILL BE REQUIRED AS SHOWN.
5. ONLY INSTALLATIONS ON PORTABLE SIGN STANDS MAY OMIT THE SUPPLEMENTAL SIGN "ON RAMP".
6. THIS IS ZERO IF THE ADJACENT 500 FEET CAN NOT BE OBTAINED.



- LEGEND:**
- Ⓢ TEMPORARY TRAFFIC CONTROL SIGN
 - ◇ CONE
 - ➔ DIRECTION OF TRAVEL

No.	DATE	REVISION

NEW JERSEY TURNPIKE AUTHORITY
TRAFFIC PROTECTION STANDARD DRAWING

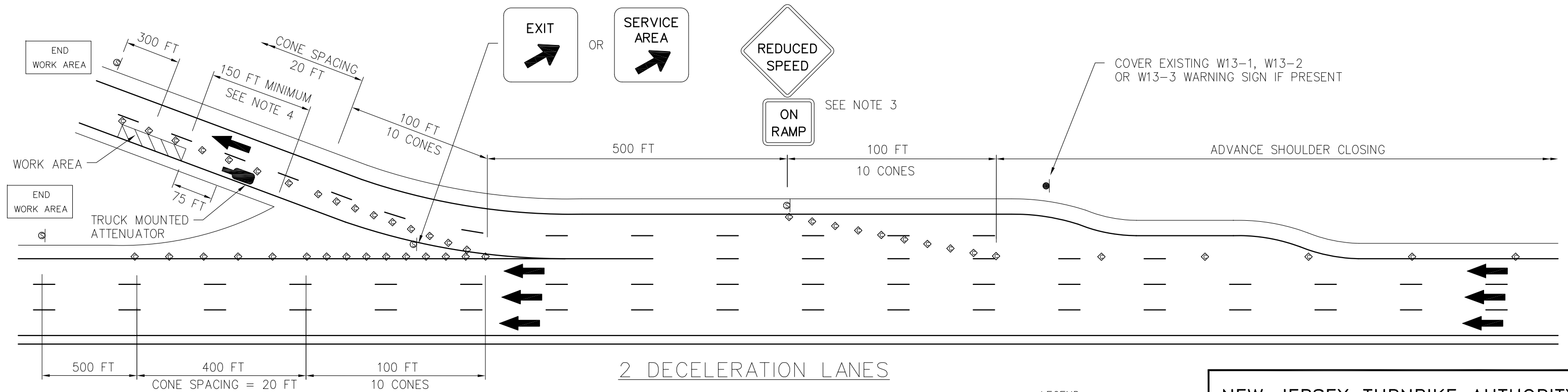
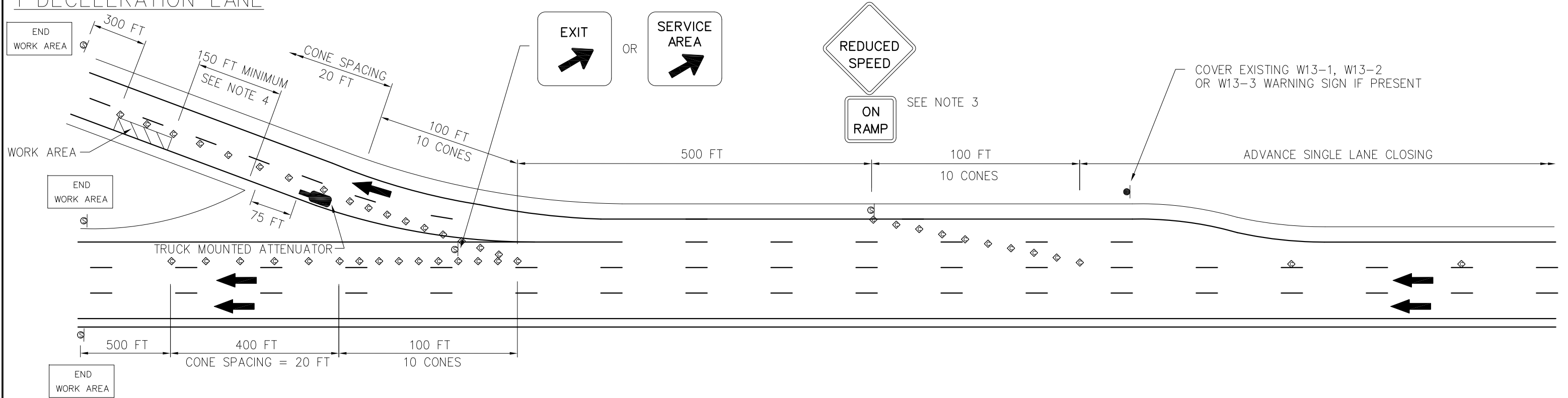
LEFT HALF RAMP CLOSING
1 LANE RAMP

OPERATIONS DEPARTMENT
 WOODBRIDGE, NEW JERSEY
 Drawing By: KDD
 Checked By: KJM

SCALE: NONE
 DATE: 10/2009

TP 15

1 DECELERATION LANE



NOTES:

1. LEFT EXIT CLOSINGS SIMILAR.
2. SIGN LOCATIONS MAY BE ADJUSTED IN THE FIELD A MAXIMUM OF 50 FEET IN EITHER DIRECTION.
3. ONLY INSTALLATIONS ON PORTABLE SIGN STANDS MAY OMIT THE SUPPLEMENTAL SIGN "ON RAMP".
4. WHEN THE WORK AREA IS LESS THAN THE 150 FEET MINIMUM FROM THE NOSE OF THE PHYSICAL GORE, THE SAME CRITERIA APPLIES EXCEPT THAT THE SPACING BETWEEN THE TRUCK MOUNTED ATTENUATOR AND THE WORK AREA INCREASES TO 100 FEET.

LEGEND:

- TEMPORARY TRAFFIC CONTROL SIGN
- CONE
- DIRECTION OF TRAVEL

No.	DATE	REVISION

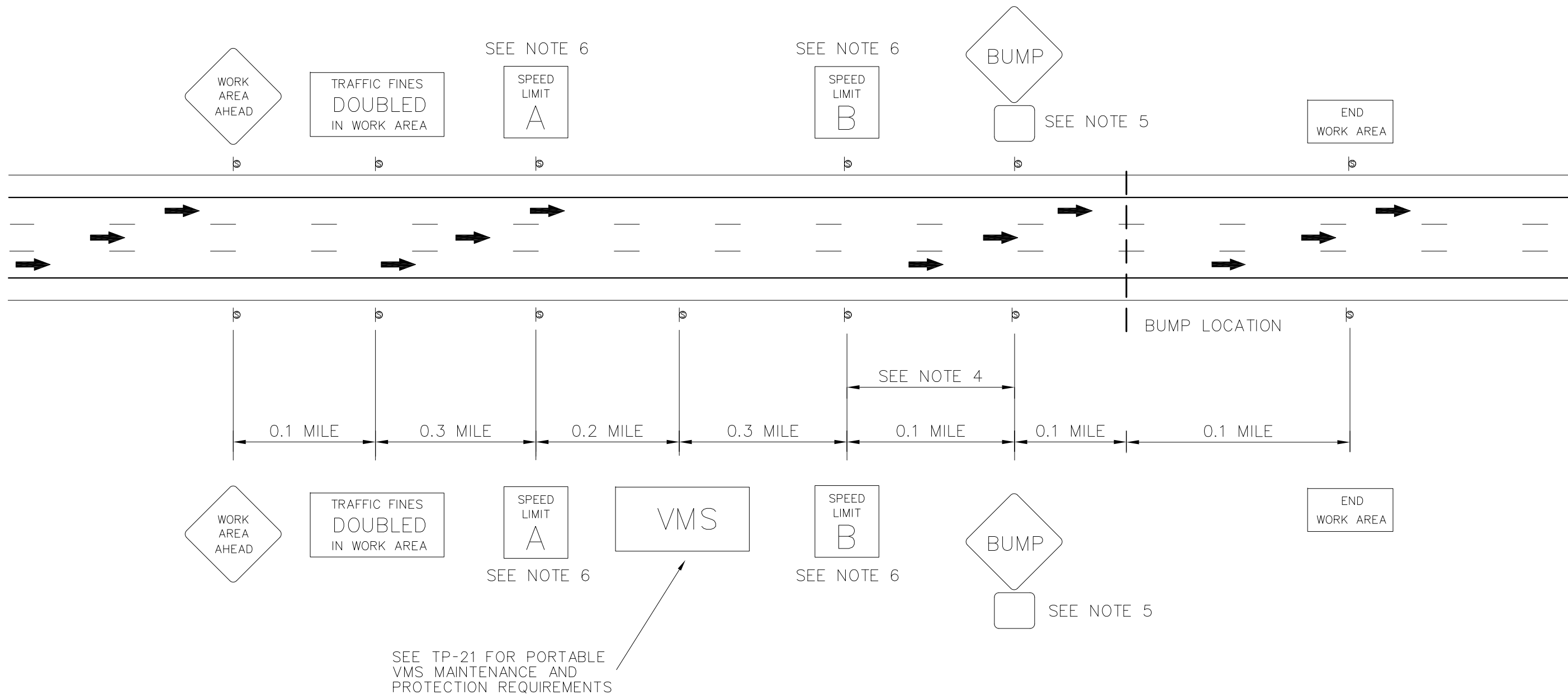
NEW JERSEY TURNPIKE AUTHORITY
TRAFFIC PROTECTION STANDARD DRAWING

LEFT HALF RAMP CLOSING
2 LANE RAMP

OPERATIONS DEPARTMENT
WOODBRIDGE, NEW JERSEY
Drawing By: KDD
Checked By: KJM

SCALE: NONE
DATE: 10/2009

TP
16



SEE TP-21 FOR PORTABLE VMS MAINTENANCE AND PROTECTION REQUIREMENTS

NOTES:

1. THIS DETAIL APPLICABLE ON THE GARDEN STATE PARKWAY ONLY.
2. A BUMP IS AN INSTANTANEOUS RISE OR DEPRESSION IN THE PROFILE OF THE ROADWAY. THIS APPLICATION ONLY TO BE IMPLEMENTED AS CALLED FOR IN THE CONTRACT PLANS OR WITH PRIOR APPROVAL BY THE OPERATIONS DEPARTMENT.
3. WHEN A BUMP AFFECTS ONLY ONE LANE IN A TWO LANE ROADWAY SECTION, ONLY SIGNING ADJACENT TO THAT AFFECTED LANE IS REQUIRED. SIGNING ON THE OPPOSITE SIDE OF THE ROADWAY IS TO BE OMITTED.
4. THESE SIGNS TO REPEAT AT EACH BUMP OCCURRENCE SHOULD THE LENGTH OF THE WORK AREA DICTATE. THE 2-LINE SUPPLEMENTAL SIGN "500 FEET" MAY BE OMITTED WHEN THE PROXIMITY OF THE BUMPS TO EACH OTHER IS LESS THAN 1,200 FEET.
5. THIS 2-LINE SUPPLEMENTAL SIGN TO DISPLAY "500 FEET", "LEFT LANE", "CENTER LANE" OR "RIGHT LANE" DEPENDING ON CONDITIONS. EITHER "500 FEET" OR NO SIGN AT ALL IS PERMITTED IF THE BUMP TRAVERSES THE ENTIRE ROADWAY. SUPPLEMENTAL SIGNING MAY BE OMITTED IF INSTALLED ON PORTABLE SIGN STANDS.
6. IF REQUIRED, SPEED LIMIT SIGNS SHALL STEP DOWN THE TRAFFIC STREAM IN 10 MILE PER HOUR INCREMENTS UNTIL THE DESIRED SPEED TO TRANSVERSE THE BUMP IS REACHED AS DETERMINED THE ENGINEER, THE OPERATIONS DEPARTMENT OR THE STATE POLICE. IF SPEED LIMIT B IS DETERMINED TO BE EQUAL TO SPEED LIMIT A, THEN THE PLACEMENT OF SPEED LIMIT A AT THE PROPOSED LOCATION IS TO BE OMITTED. MINIMUM POSTED SPEED LIMIT IS 45 MILES PER HOUR.

PORTABLE VARIABLE MESSAGE SIGN LEGEND PLAN		
	FIRST MESSAGE	SECOND MESSAGE
DURING SCHEDULED WORK	ROAD	BUMP
	WORK	ALL, CENTER, RIGHT, LEFT
	1/2 MI	(X) LANE(S)

**NEW JERSEY TURNPIKE AUTHORITY
TRAFFIC PROTECTION STANDARD DRAWING**

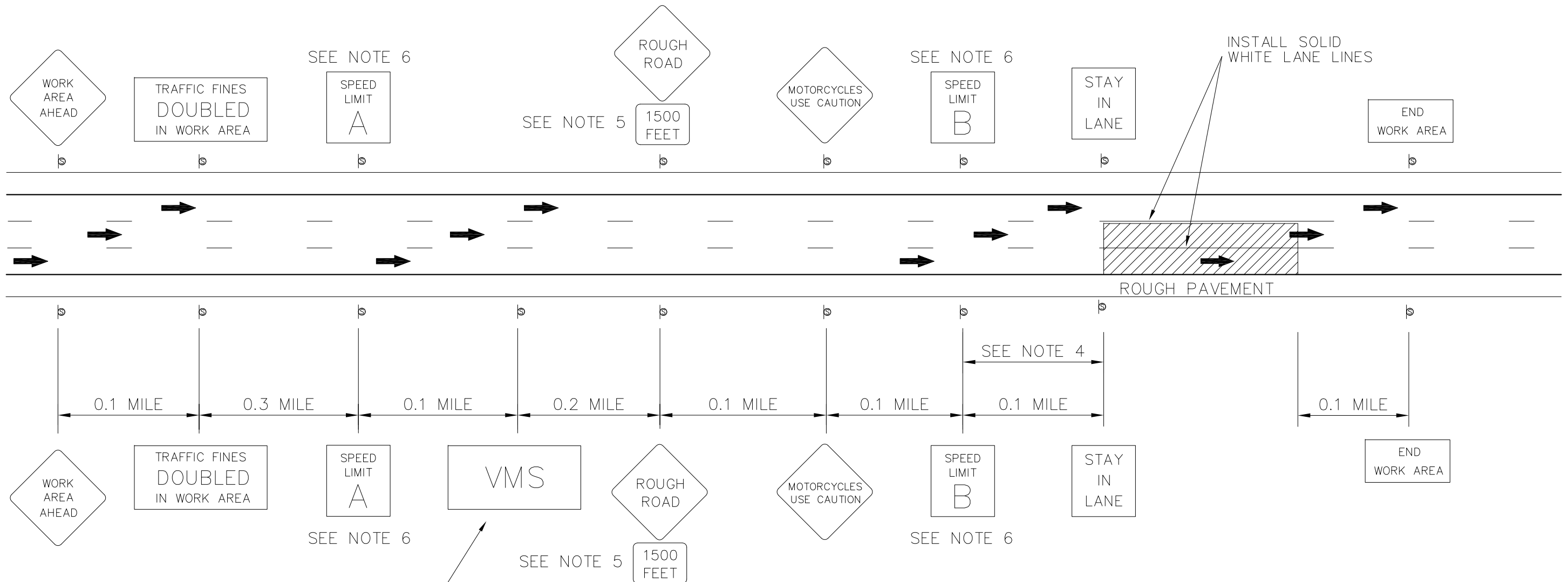
BUMP (INSTANTANEOUS HAZARD)

OPERATIONS DEPARTMENT
WOODBRIDGE, NEW JERSEY
Drawing By: KDD
Checked By: KJM

SCALE: NONE
DATE: 10/2009

TP
17

No.	DATE	REVISION



SEE TP-21 FOR PORTABLE VMS MAINTENANCE AND PROTECTION REQUIREMENTS

NOTES:

1. THIS DETAIL APPLICABLE ON THE GARDEN STATE PARKWAY ONLY.
2. THIS DETAIL APPLICABLE TO ROUGH SURFACES IN ANY AND ALL LANES. THIS APPLICATION ONLY TO BE IMPLEMENTED AS SHOWN ON THE CONTRACT PLANS OR WITH PRIOR APPROVAL BY THE OPERATIONS DEPARTMENT.
3. WHEN A ROUGH SURFACE AFFECTS ONLY ONE LANE IN A TWO LANE ROADWAY SECTION, ONLY SIGNING ADJACENT TO THAT AFFECTED LANE IS REQUIRED. SIGNING ON THE OPPOSITE SIDE OF THE ROADWAY MAY BE OMITTED.
4. THESE SIGNS TO REPEAT AT EVERY 1 MILE SHOULD THE LENGTH OF THE WORK AREA DICTATE.
5. SUPPLEMENTAL SIGNING MAY BE OMITTED IF INSTALLED ON PORTABLE SIGN STANDS.
6. IF REQUIRED, SPEED LIMIT SIGNS SHALL STEP DOWN THE TRAFFIC STREAM IN 10 MILE PER HOUR INCREMENTS UNTIL THE DESIRED SPEED TO TRANSVERSE THE ROUGH PAVEMENT IS REACHED AS DIRECTED BY THE ENGINEER, THE OPERATIONS DEPARTMENT OR THE STATE POLICE. IF SPEED LIMIT B IS DETERMINED TO BE EQUAL TO SPEED LIMIT A, THEN THE PLACEMENT OF SPEED LIMIT A AT THE PROPOSED LOCATION IS TO BE OMITTED. MINIMUM POSTED SPEED LIMIT IS 45 MILES PER HOUR.

PORTABLE VARIABLE MESSAGE SIGN LEGEND PLAN		
SIX DAYS IN ADVANCE	FIRST MESSAGE	SECOND MESSAGE
	ROAD	STARTING
	WORK	**DAY**
		TIME
DURING SCHEDULED WORK	FIRST MESSAGE	SECOND MESSAGE
	ROUGH	RIGHT (LEFT) (CENTER) (ALL)
	SURFACE	(X) LANE(S)
	1/2 MI	

**NEW JERSEY TURNPIKE AUTHORITY
TRAFFIC PROTECTION STANDARD DRAWING**

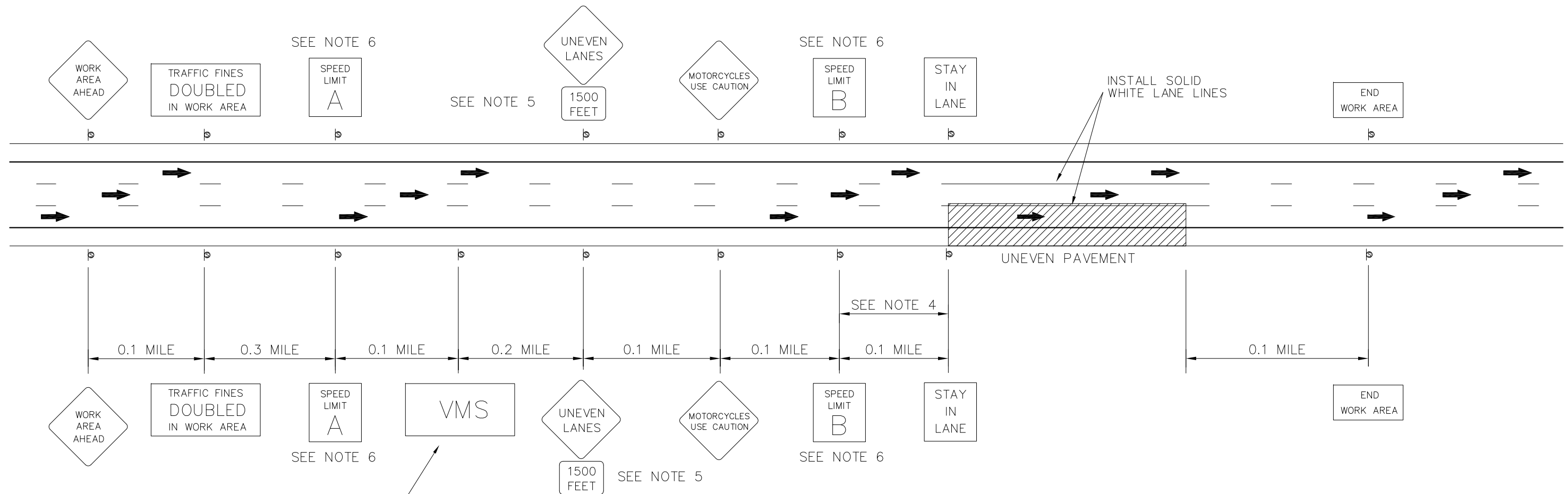
ROUGH ROAD

OPERATIONS DEPARTMENT
WOODBRIDGE, NEW JERSEY
Drawing By: KDD
Checked By: KJM

SCALE: NONE
DATE: 10/2009

TP
18

No.	DATE	REVISION



SEE TP-21 FOR PORTABLE VMS MAINTENANCE AND PROTECTION REQUIREMENTS

NOTES:

1. THIS DETAIL APPLICABLE ON THE GARDEN STATE PARKWAY ONLY.
2. THIS APPLICATION ONLY TO BE IMPLEMENTED WITH PRIOR APPROVAL BY THE OPERATIONS DEPARTMENT OR AS CALLED FOR ON THE CONTRACT PLANS.
3. WHEN UNEVEN PAVEMENT AFFECTS ONLY ONE LANE IN A TWO LANE ROADWAY SECTION, ONLY SIGNING ADJACENT TO THAT AFFECTED LANE IS REQUIRED. SIGNING ON THE OPPOSITE SIDE OF THE ROADWAY MAY BE OMITTED.
4. THESE SIGNS TO REPEAT AT EVERY 1 MILE SHOULD THE LENGTH OF THE WORK ZONE PERMIT.
5. SUPPLEMENTAL SIGNING MAY BE OMITTED IF INSTALLED ON PORTABLE SIGN STANDS.
6. IF REQUIRED, SPEED LIMIT SIGNS SHALL STEP DOWN THE TRAFFIC STREAM IN 10 MILE PER HOUR INCREMENTS UNTIL THE DESIRED SPEED TO TRAVEL THE UNEVEN PAVEMENT IS REACHED AS DIRECTED BY THE ENGINEER, THE OPERATIONS DEPARTMENT OR THE STATE POLICE. IF SPEED LIMIT B IS DETERMINED TO BE EQUAL TO SPEED LIMIT A, THEN THE PLACEMENT OF SPEED LIMIT A AT THE PROPOSED LOCATION IS TO BE OMITTED. MINIMUM SPEED LIMIT IS 45 MILES PER HOUR.

PORTABLE VARIABLE MESSAGE SIGN LEGEND PLAN		
	FIRST MESSAGE	SECOND MESSAGE
SIX DAYS IN ADVANCE	ROAD WORK	STARTING **DAY** **TIME**
DURING SCHEDULED WORK	UNEVEN PAVEMENT 1/2 MI	RIGHT (LEFT) (CENTER) (X) LANE(S)

No.	DATE	REVISION

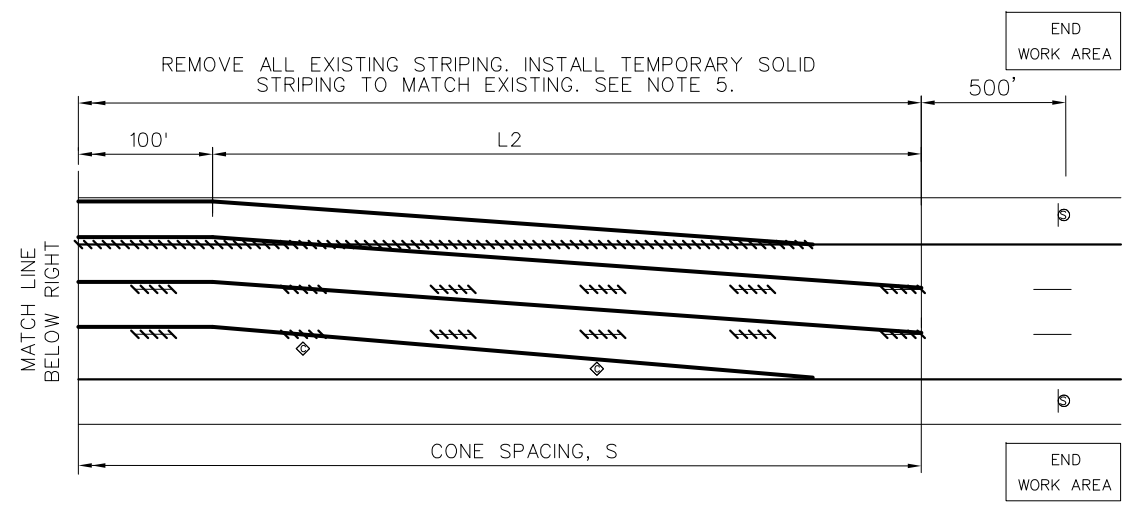
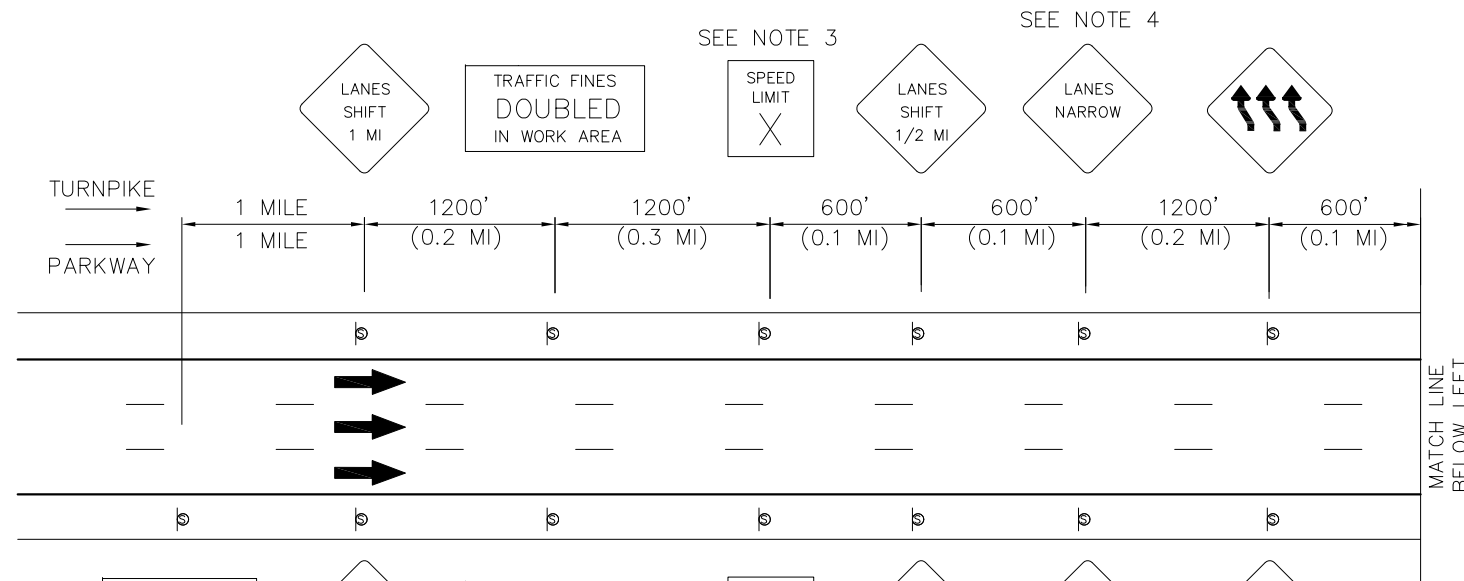
**NEW JERSEY TURNPIKE AUTHORITY
TRAFFIC PROTECTION STANDARD DRAWING**

UNEVEN PAVEMENT

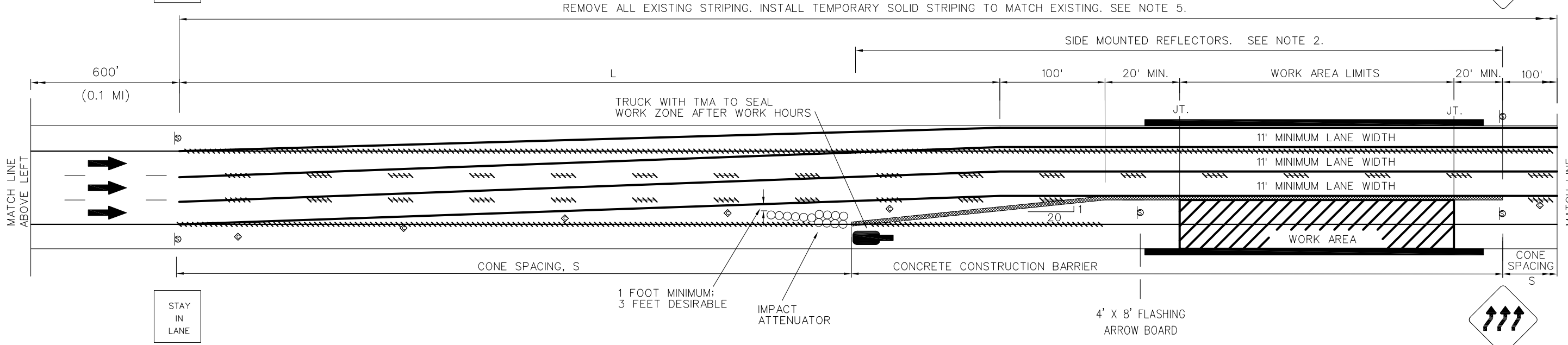
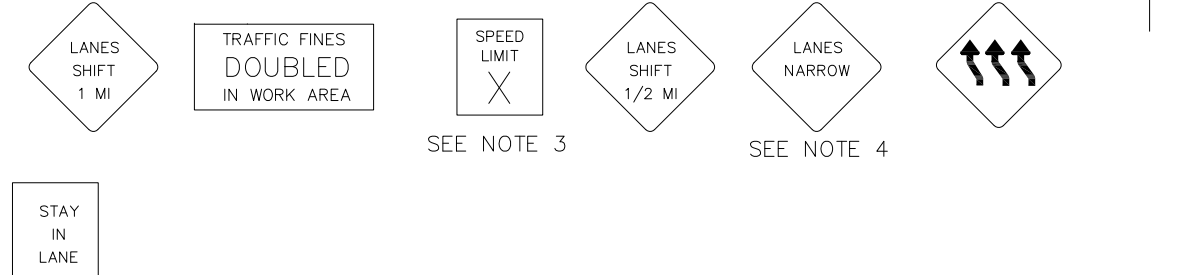
OPERATIONS DEPARTMENT
WOODBRIDGE, NEW JERSEY
Drawing By: KDD
Checked By:

SCALE: NONE
DATE: 10/2009

TP
19



VMS
SEE TP-21 FOR PORTABLE VMS MAINTENANCE AND PROTECTION REQUIREMENTS



NOTES:

- LEFT LANE SHIFT SIMILAR.
- HIGH INTENSITY FLASHING WARNING LIGHTS, SIDE MOUNTED REFLECTORS AND OR DELINEATION FOR THE CONCRETE BARRIER SHALL BE PER THE SUPPLEMENTARY SPECIFICATIONS.
- IF THE LANE WIDTHS ARE REDUCED, THE SPEED LIMIT SIGN SHALL DISPLAY A SPEED LIMIT 10 MILES PER HOUR LESS THAN THE NEXT POSTED SPEED LIMIT IMMEDIATELY UPSTREAM PRIOR TO ENTERING THE WORK ZONE. THE SPEED LIMIT SHALL NOT BE REDUCED IF THE LANE WIDTHS ARE MAINTAINED AND THUS THIS SIGN WOULD BE OMITTED. MINIMUM POSTED SPEED LIMIT SHALL BE 45 MILES PER HOUR.
- THIS SIGN IS TO BE OMITTED IF THE LANE WIDTHS THROUGH THE WORK AREA ARE NOT REDUCED.
- IT IS NOT REQUIRED TO REMOVE THE SOLID WHITE EDGE LINE PAST THE FLARED SECTION OF CONCRETE CONSTRUCTION BARRIER THROUGH THE WORK AREA.

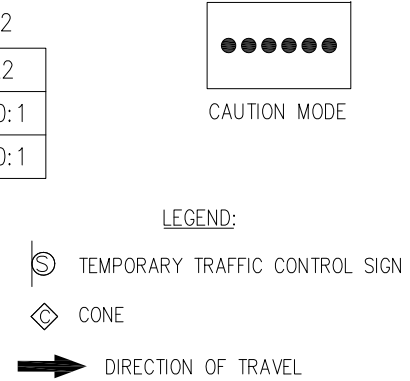
PORTABLE VARIABLE MESSAGE SIGN LEGEND PLAN	
FIRST MESSAGE	SECOND MESSAGE
SIX DAYS IN ADVANCE	LANES SHIFT
	STARTING **DAY**
	TIME
DURING SCHEDULED WORK	ROAD WORK
	STAY IN LANE
	2 MI AHEAD

TAPER LENGTHS, L, L2

ROADWAY	L	L2
PARKWAY	100:1	70:1
TURNPIKE	100:1	70:1

CONE SPACING, S (FT)

ROADWAY	S
TURNPIKE	75
PARKWAY	80



No.	DATE	REVISION

NEW JERSEY TURNPIKE AUTHORITY
TRAFFIC PROTECTION STANDARD DRAWING
LANE SHIFT WITH BARRIER

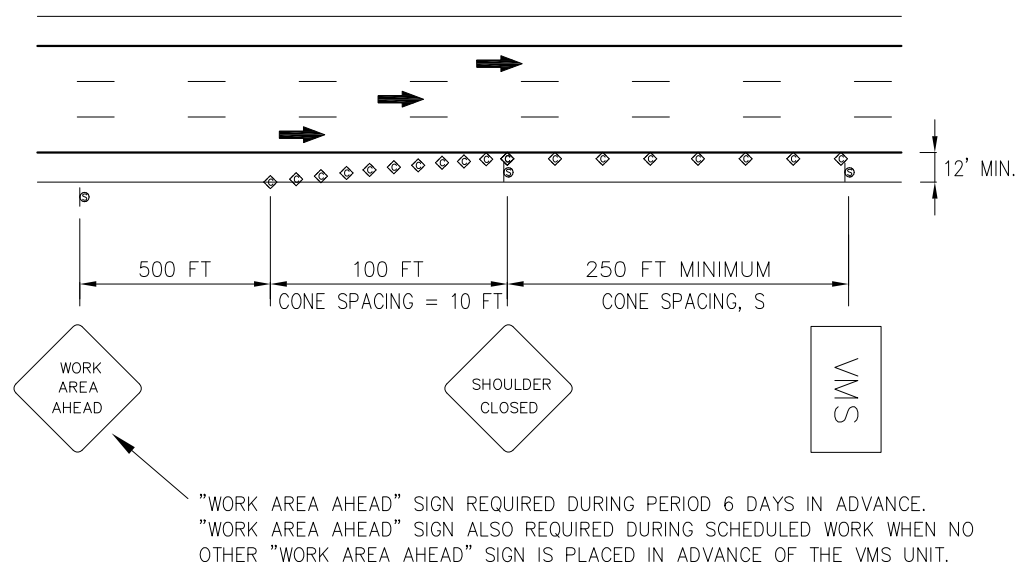
OPERATIONS DEPARTMENT
WOODBRIDGE, NEW JERSEY
Drawing By: KDD
Checked By: KJM

SCALE: NONE
DATE: 10/2009

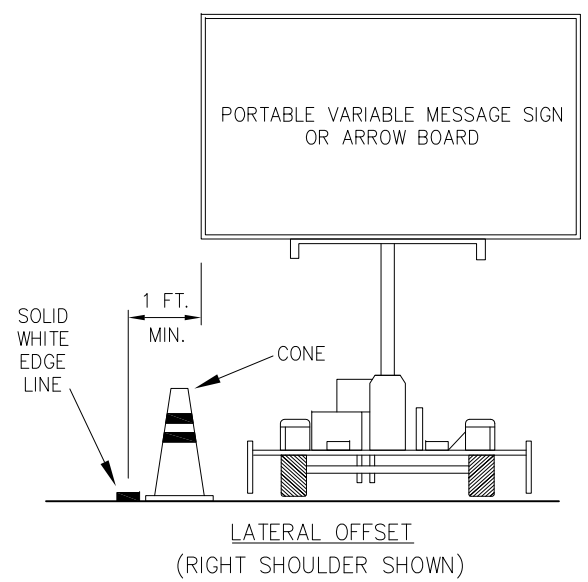
TP
20

	LANE SHIFTS		RAMP CLOSINGS – DETOURS		HIGH INTENSITY CONSTRUCTION		BUMP		ROUGH ROAD		UNEVEN LANES		LONG-TERM SHOULDER CLOSING	
	FIRST MESSAGE	SECOND MESSAGE	FIRST MESSAGE	SECOND MESSAGE	FIRST MESSAGE	SECOND MESSAGE	FIRST MESSAGE	SECOND MESSAGE	FIRST MESSAGE	SECOND MESSAGE	FIRST MESSAGE	SECOND MESSAGE	FIRST MESSAGE	SECOND MESSAGE
SIX DAYS IN ADVANCE	LANES	STARTING	EXIT XXX	STARTING	ROAD	STARTING			ROAD	STARTING	ROAD	STARTING	SHOULDER	STARTING
	SHIFT	**DAY**	TO	**DAY**	WORK	**DAY**	NONE	NONE	WORK	**DAY**	WORK	**DAY**	TO CLOSE	**DAY**
		TIME	CLOSE	**TIME**		**TIME**				**TIME**		**TIME**		**TIME**
DURING SCHEDULED WORK	LANES	STAY	EXIT XXX	FOLLOW	ROAD		ROAD	BUMP	ROUGH	RIGHT (LEFT) (CENTER) (ALL)	UNEVEN	RIGHT (LEFT) (CENTER)	LEFT(RIGHT)	
	SHIFT	IN LANE	CLOSED	DETOUR	WORK	SEE NOTE 5	WORK	ALL, CENTER, RIGHT, LEFT	SURFACE	(X) LANE(S)	PAVEMENT	(X) LANE(S)	SHOULDER	2 MILES
	X MI	AHEAD	2 MI		2 MI		1/2 MI	(X) LANE(S)	1/2 MI		1/2 MI		CLOSED	

PORTABLE VARIABLE MESSAGE SIGN LEGENDS

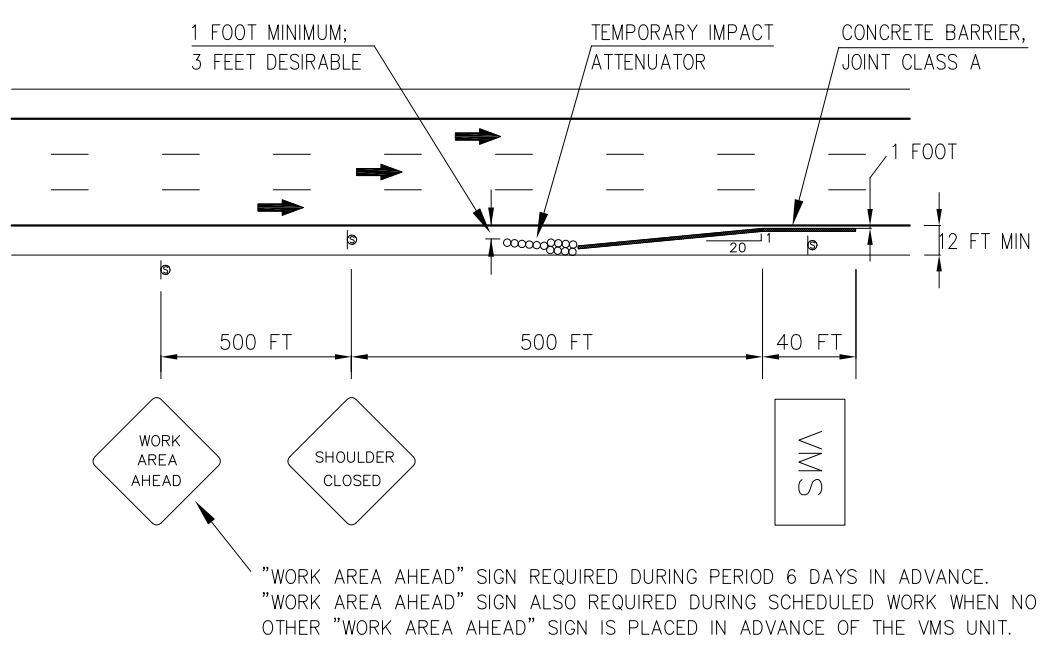


FOR SHOULDER PLACEMENT WITH CONE DELINEATION
SEE NOTE 2
(LEFT SHOULDER PLACEMENT SIMILAR)

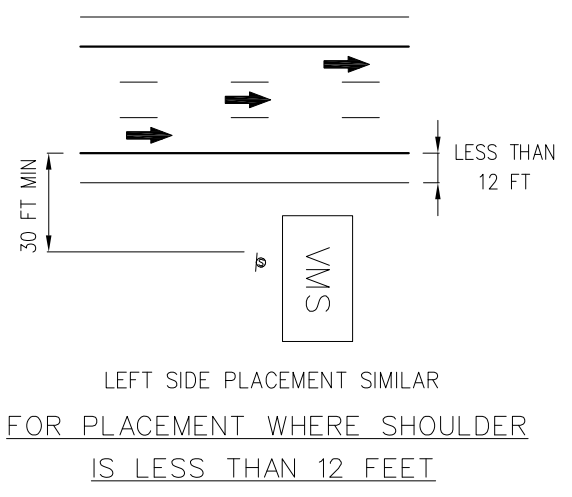


NOTES:

1. IN THE ABSENCE OF STANDARDIZATION, GUIDANCE OR DIRECTION, PRINCIPLES GOVERNING PORTABLE VARIABLE MESSAGE SIGNING SHALL ADHERE TO THE SECTION ENTITLED "PORTABLE CHANGEABLE MESSAGE SIGNS" IN PART 6 OF THE MOST RECENT EDITION OF THE MANUAL ON UNIFORM TRAFFIC CONTROL DEVICES AUTHORED BY THE FEDERAL HIGHWAY ADMINISTRATION.
2. PORTABLE VARIABLE MESSAGE SIGN UNITS SHOULD BE PLACED BEHIND A POSITIVE PROTECTION ROADSIDE DEVICE THAT MEETS THE CRASHWORTHINESS EVALUATION CRITERIA CONTAINED IN THE NATIONAL COOPERATIVE HIGHWAY RESEARCH PROJECT 350, RECOMMENDED PROCEDURES FOR THE SAFETY PERFORMANCE EVALUATION OF HIGHWAY DEVICES, 1993, AUTHORED BY THE TRANSPORTATION RESEARCH BOARD OF THE NATIONAL SAFETY COUNCIL. WHEN THIS CAN NOT BE DONE, THE SHOULDER PLACEMENT DETAILS ON THIS SHEET SHALL BE USED.
3. PORTABLE VARIABLE MESSAGE SIGN UNITS THAT ARE MALFUNCTIONING OR NOT IN USE SHALL BE REMOVED OR REPLACED PER THE STANDARD SPECIFICATIONS.
4. UNLESS OTHERWISE LOCATED ON A SEPARATE TRAFFIC PROTECTION STANDARD DRAWING, PORTABLE VARIABLE MESSAGE SIGNING SHALL BE PLACED APPROXIMATELY 2 MILES UPSTREAM OF THE ANTICIPATED WORK AREA. DEVIATION OF UP TO ONE-QUARTER MILE IN EITHER DIRECTION OF THIS LOCATION IS PERMITTED IN ORDER TO PLACE THE PORTABLE SIGN UNIT BEHIND A POSITIVE PROTECTION ROADSIDE DEVICE.
5. THIS MESSAGE TO BE DETERMINED AND APPROVED ON A CASE-BY-CASE BASIS BY THE OPERATIONS DEPARTMENT.
6. ACCEPTABLE ABBREVIATIONS FOR **DAY** ARE SUN, MON, TUE, WED, THU, FRI AND SAT. ACCEPTABLE ABBREVIATIONS FOR **TIME** ARE THE NUMERAL FOLLOWED BY AM OR PM WITHOUT A SPACE SUCH AS 6AM. PUNCTUATION IS NOT PERMITTED EXCEPT FOR THE SOLIDUS OF A FRACTION. ALL OTHER ACCEPTABLE ABBREVIATIONS ARE SHOWN IN THE SIGN LEGEND TABLE.
7. WHEN "ALL" IS USED IN THE BUMP OR ROUGH ROAD APPLICATION, THE NUMERAL IS TO BE OMITTED PRIOR TO "LANES".



FOR SHOULDER PLACEMENT BEHIND CONCRETE CONSTRUCTION BARRIER
SEE NOTE 2
(LEFT SHOULDER PLACEMENT SIMILAR)



- LEGEND:
- Ⓢ TEMPORARY TRAFFIC CONTROL SIGN
 - ◇ CONE
 - ➔ DIRECTION OF TRAVEL

CONE SPACING, S (FT)

ROADWAY	S
PARKWAY	80
TURNPIKE	50

NEW JERSEY TURNPIKE AUTHORITY
TRAFFIC PROTECTION STANDARD DRAWING

PORTABLE VARIABLE MESSAGE SIGNING

OPERATIONS DEPARTMENT
WOODBRIDGE, NEW JERSEY
Drawing By: KDD
Checked By: KJM

SCALE: NONE
DATE: 10/2009

TP
21

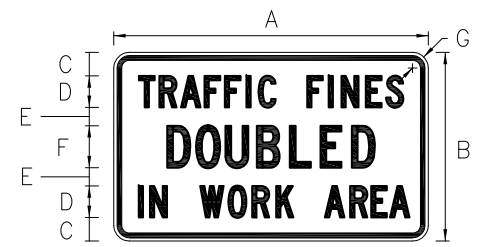
No.	DATE	REVISION

STANDARD SIGNS PER THE FHWA STANDARD HIGHWAY SIGNS (SHS) BOOK

LEGEND	SHS	NOTES	LEGEND	SHS	NOTES
YIELD	R1-2		BUMP	W8-1	
SPEED LIMIT	R2-1	5	ROUGH ROAD	W8-8	
STAY IN LANE	R4-9	5	UNEVEN LANES	W8-11	
REVERSE CURVE	W1-4(L or R)		LANE CLOSED AHEAD	W9-3(L or R)	6
2 LANE REVERSE CURVE	W1-4b(L or R)		CENTER LANE CLOSED	W9-3a	
3 LANE REVERSE CURVE	W1-4c(L or R)		500 FEET	W16-2-500	7
YIELD AHEAD	W3-2		1500 FEET	W16-2-1500	7
MERGE	W4-1(L or R)		LANE CLOSED _____	W20-5/W20-5a	8
LANE ENDS (GRAPHIC)	W4-2(L or R)		_____ SHOULDER CLOSED	W21-5a(L or R)	
ADDED LANE	W4-3(L or R)		EXIT CLOSED	E5-2a	
RAMP NARROWS	W5-4				

NOTES:

- ALL SIGNS ARE BLACK LEGEND ON ORANGE BACKGROUND EXCEPT REGULATORY SIGNING AND WHERE OTHERWISE NOTED ON THIS DRAWING. ALL SIGNS ARE 48" x 48" EXCEPT WHERE OTHERWISE NOTED.
- ALL SIGNS, LEGENDS, BORDERS AND BACKGROUNDS SHALL CONFORM TO STANDARD SPECIFICATION 912.02.
- ALL SIGNS HAVE AN INSET, A BORDER AND A 3-INCH PANEL RADIUS UNLESS OTHERWISE SPECIFIED.
- REFER TO THE APPENDIX IN THE FHWA STANDARD HIGHWAY SIGNS BOOK FOR ARROW DESIGNS.
- THIS SIGN SHALL BE MINIMUM 36" x 48". THE 24" x 30" SIZE MAY ONLY BE USED ON MEDIAN BARRIER WHERE SHOULDERS ARE LESS THAN 1 FOOT IN WIDTH.
- INSERT THE APPLICABLE NUMERAL BEFORE "LANES" TO DISSEMINATE MORE THAN ONE CLOSED LANE AHEAD.
- THIS SIGN SHALL BE 30" x 24".
- THE NUMERAL SHALL BE SUBSTITUTED FOR THE SPELLING OF THE NUMBER OF LANES ON W20-5a SIGNS.

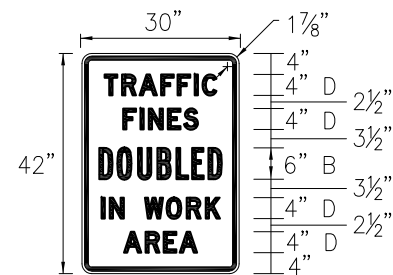


BORDER H; INSET J
BLACK LEGEND; WHITE BACKGROUND

A	B	C	D	E	F	G	H	J
48	30	3½	5	C	3	7	D	2¼
60	36	4½	6	C	3½	8	C	¾

ALL DIMENSIONS IN INCHES

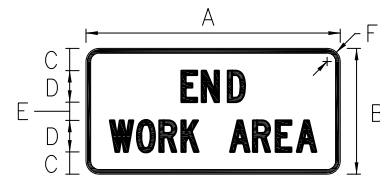
R(NJ)5-17



¾" BORDER; ½" INSET
BLACK LEGEND; WHITE BACKGROUND
MEDIAN BARRIER ONLY

R(NJ)5-17 MOD

MISCELLANEOUS SIGNS

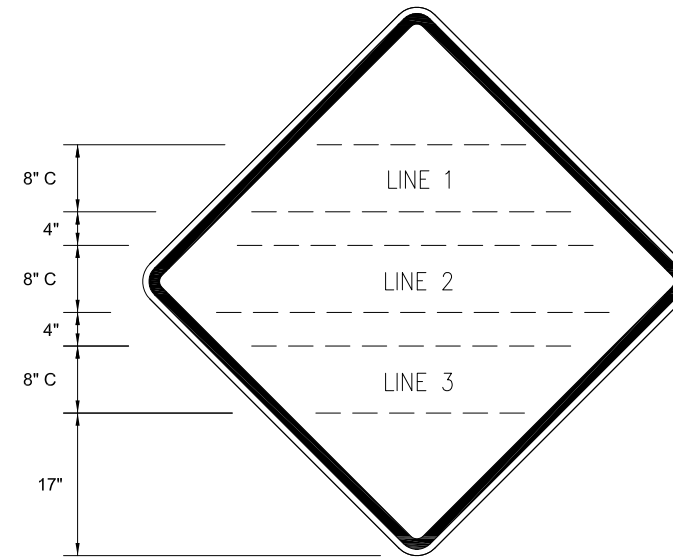


BORDER G; INSET H
BLACK LEGEND; ORANGE BACKGROUND

A	B	C	D	E	F	G	H
48	24	4¼	6	C	3½	2¼	¾
60	30	4¾	8	C	4½	3	¾

ALL DIMENSIONS IN INCHES

G(NJTA)20-2

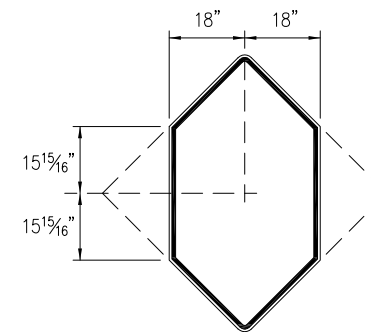


1	LINE 2	3	SIGN CODE
(blank)	REDUCED	SPEED	W(NJTA)3-5a
WORK	AREA	X FT	W(NJTA)20-1
EXIT	CLOSED	X FT	W(NJTA)20-3
EXIT	X	FEET	E(NJTA)5-2
(blank)	SHOULDER	CLOSED	W(NJTA)21-5a
LANES	SHIFT	X MI	W(NJTA)24-1
ALL	LANES	THRU	W(NJTA)99-1

X = KNOWN DISTANCE TO CONDITION IN MULTIPLES OF 500 FEET OR THE WORD "AHEAD" AS SHOWN ON THE APPLICABLE TP DRAWING

3 LINE WARNING SIGN

3" RADIUS; ¾" INSET; ¼" BORDER



NOTES:

- MAXIMIZING THE LETTER HEIGHT WITH SERIES B LETTERING IS DESIRED OVER MINIMIZING LETTER HEIGHTS WITH AN UPGRADED ALPHABET SERIES.
- THE MIXING OF ALPHABETS ON THE SAME SIGN IS PERMITTED. FOR INSTANCE, "RIGHT" AND "CLOSED" MAY BE SERIES C AND "SHOULDER" MAY BE SERIES B.
- REDUCING THE INTER-CHARACTER LETTER SPACING IS NOT RECOMMENDED. WHEN ABSOLUTELY NECESSARY, A MAXIMUM OF 75 PERCENT IS TO BE USED.

CHAMFERED WARNING SIGNS

2¼" TOP AND BOTTOM RADII, ⅞" BORDER, ⅝" INSET

NOTE:

SEE STANDARD DRAWING TP-22B FOR ADDITIONAL TEMPORARY TRAFFIC CONTROL SIGNING.

NEW JERSEY TURNPIKE AUTHORITY
TRAFFIC PROTECTION STANDARD DRAWING

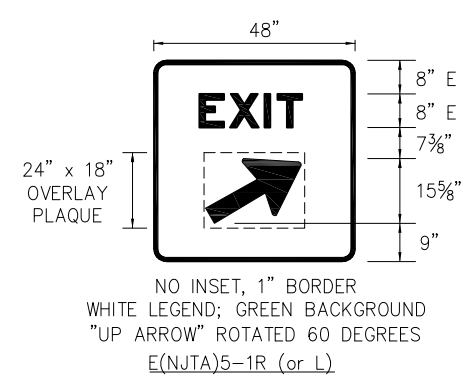
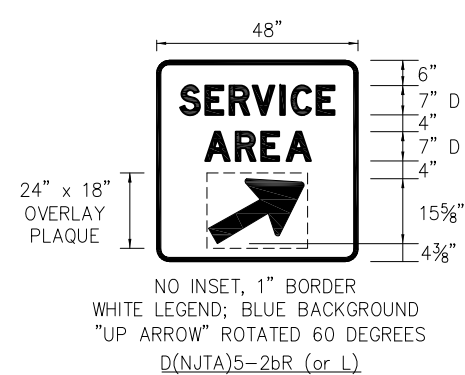
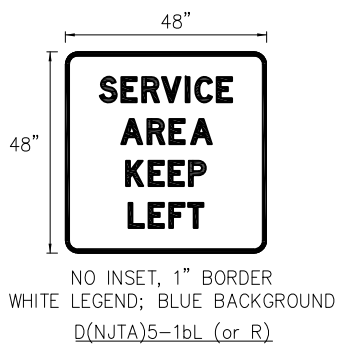
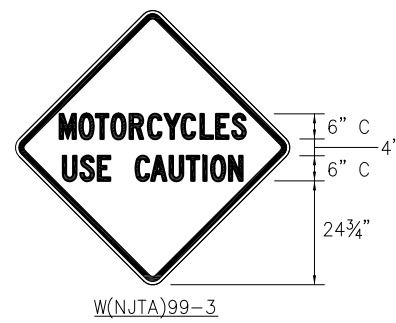
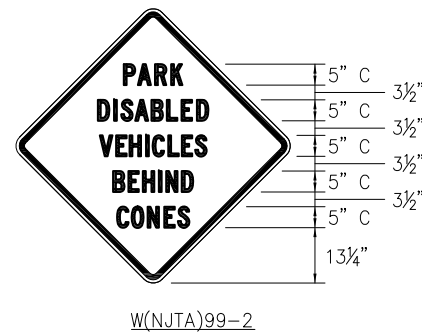
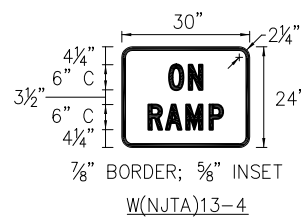
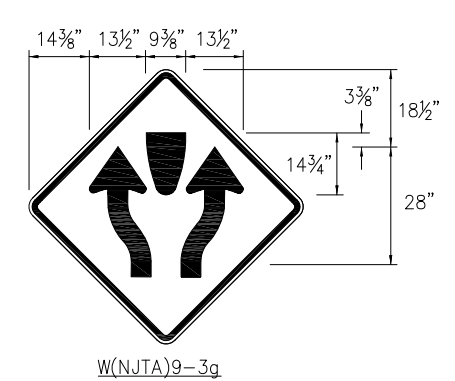
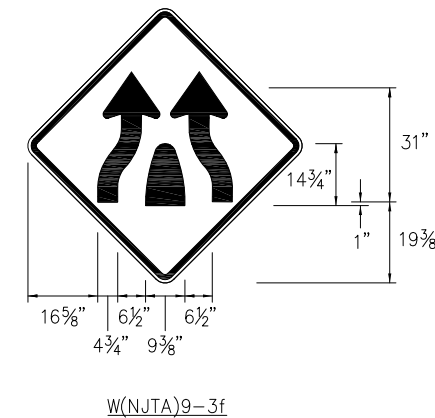
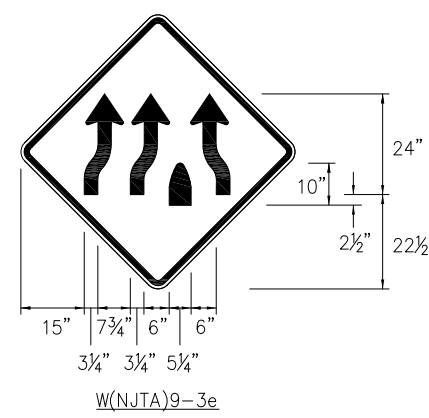
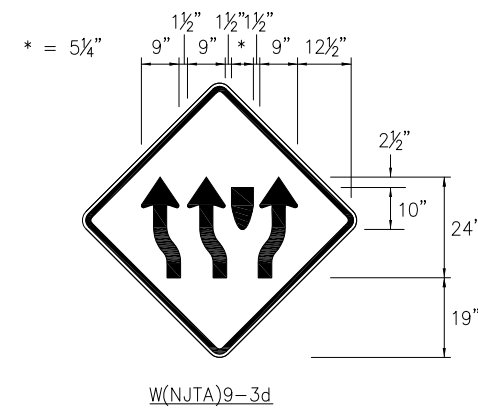
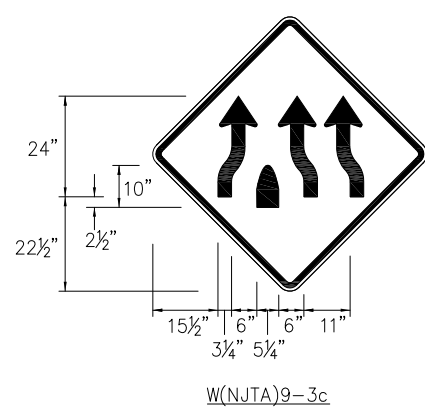
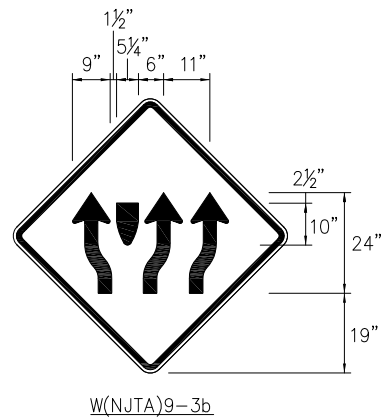
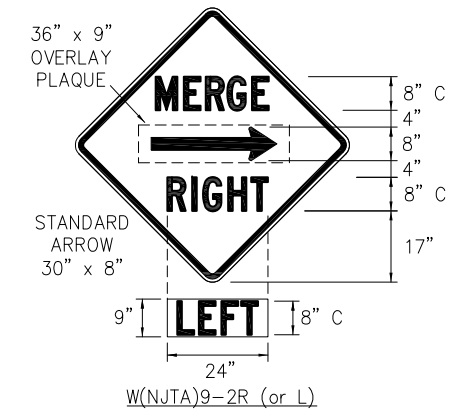
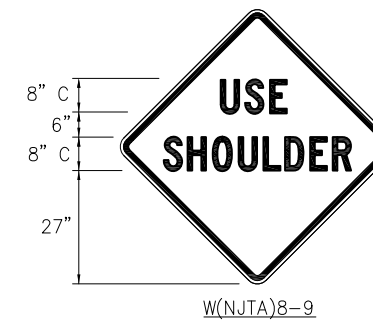
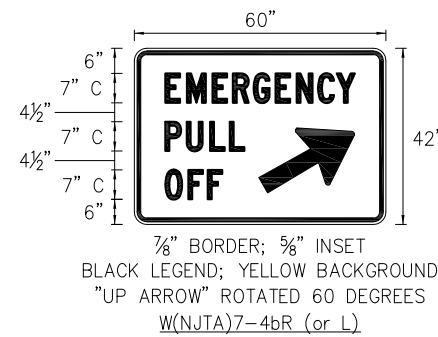
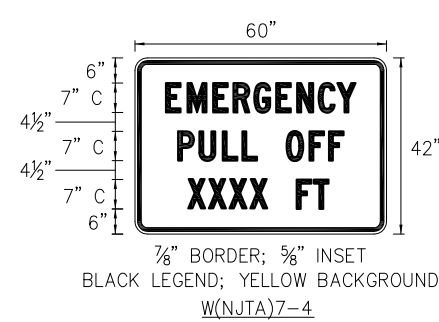
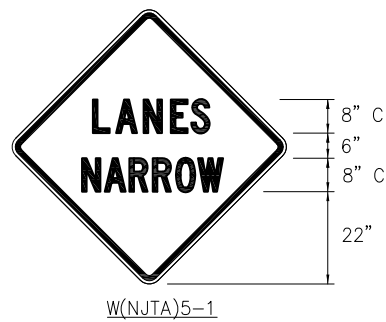
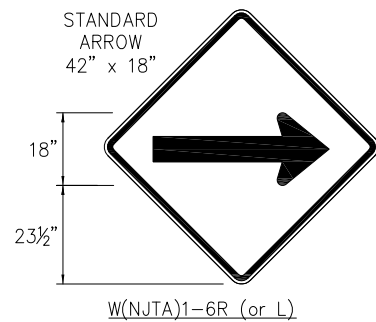
TEMPORARY TRAFFIC CONTROL SIGNING - 1

OPERATIONS DEPARTMENT
WOODBRIDGE, NEW JERSEY
Drawing By: KDD
Checked By: KJM

SCALE: NONE
DATE: 10/2009

TP
22A

No.	DATE	REVISION



NOTES:

- SEE STANDARD DRAWING TP-22A FOR ADDITIONAL TEMPORARY TRAFFIC CONTROL SIGNING.
- LANE SHIFTS IN ROADWAY SECTIONS WITH MORE THAN THREE LANES SHALL DISSEMINATE THE SHIFT GRAPHICALLY ON A RECTANGULAR PANEL.

NEW JERSEY TURNPIKE AUTHORITY
TRAFFIC PROTECTION STANDARD DRAWING

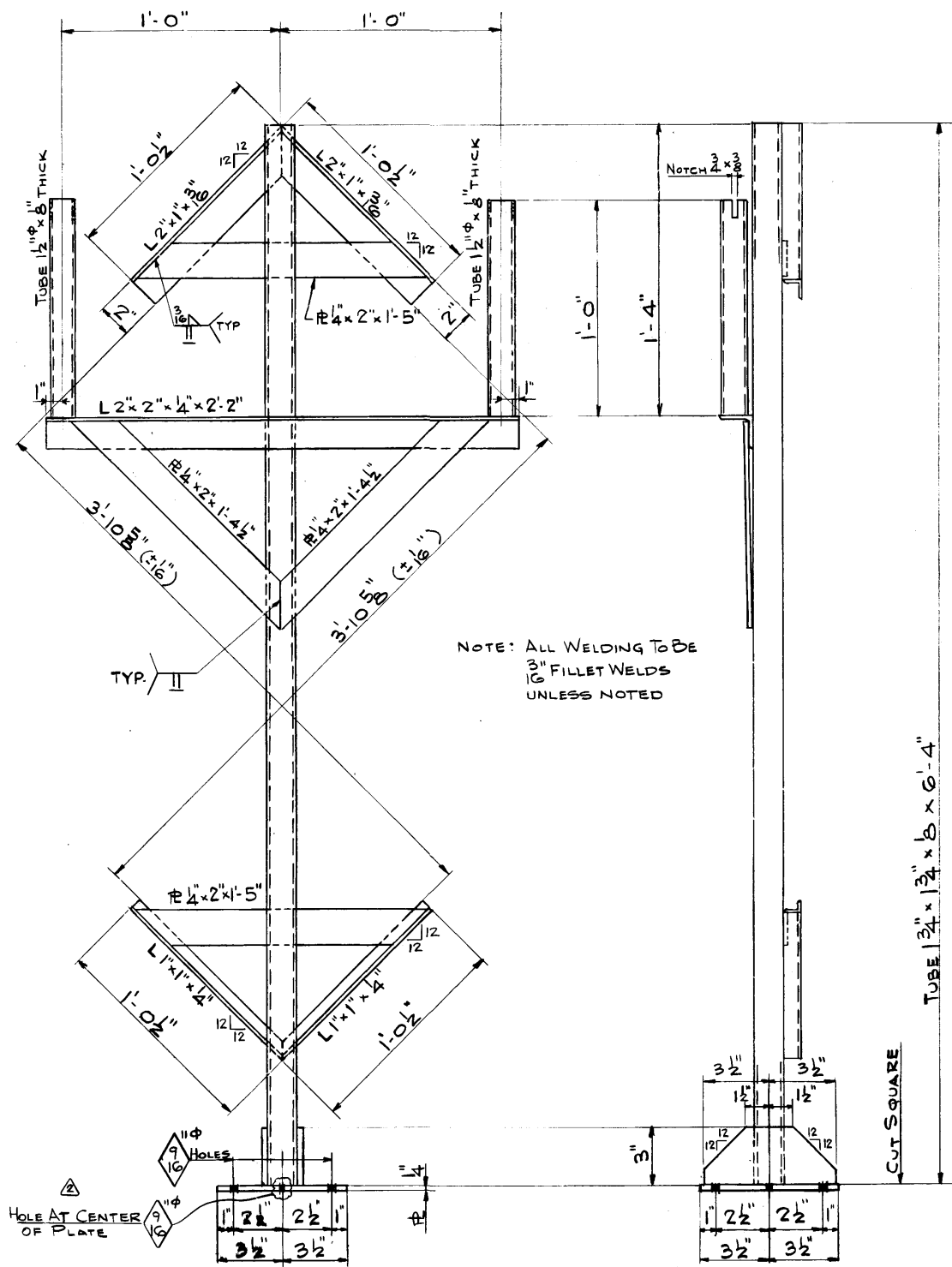
TEMPORARY TRAFFIC CONTROL SIGNING - 2

OPERATIONS DEPARTMENT
WOODBRIDGE, NEW JERSEY
Drawing By: KDD
Checked By: KJM

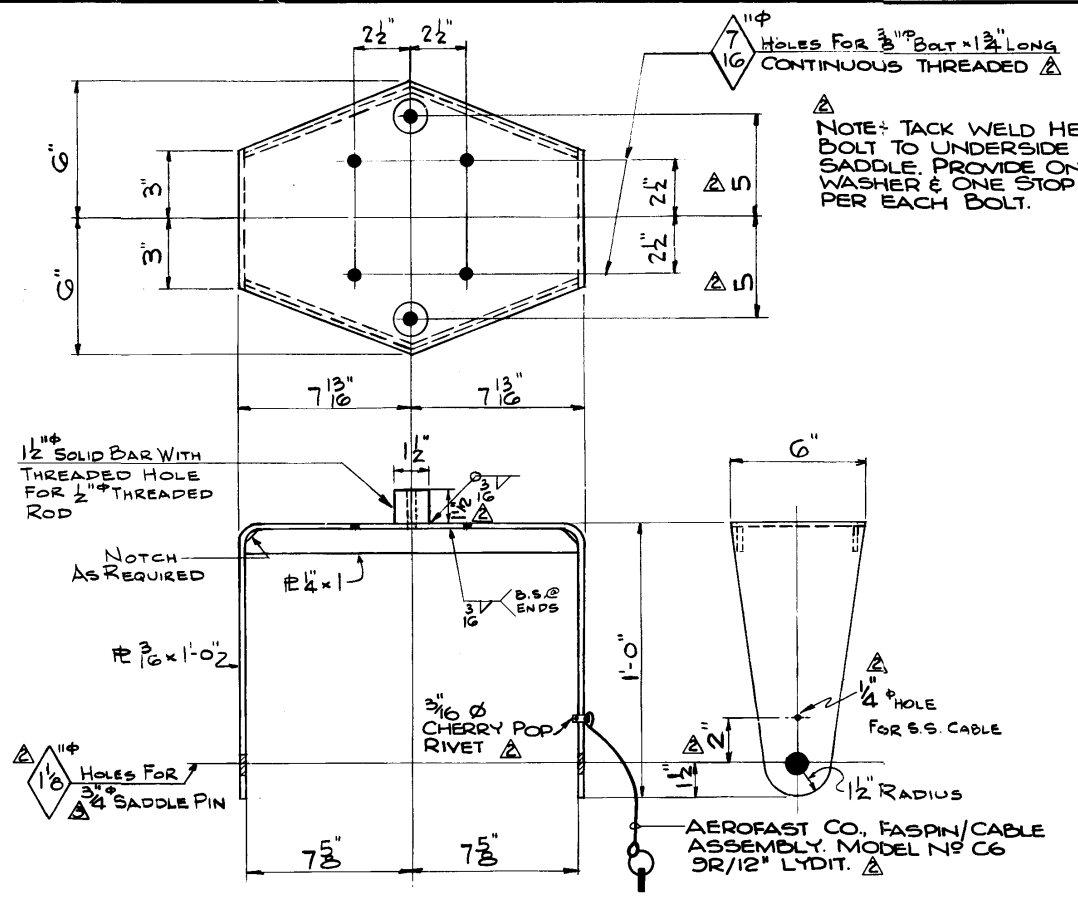
SCALE: NONE
DATE: 10/2009

TP
22B

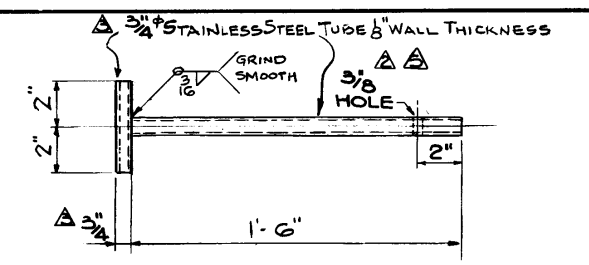
No.	DATE	REVISION



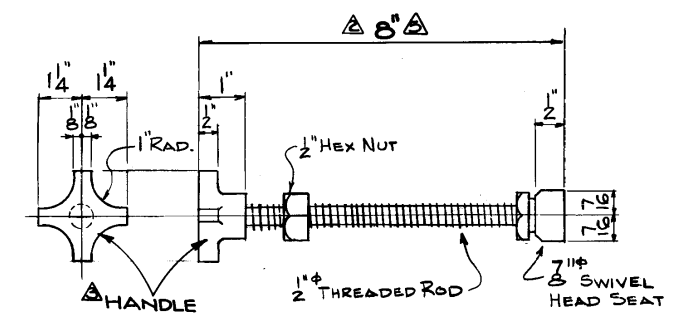
FRONT VIEW
SIDE VIEW
ALUMINUM SIGN STAND DETAIL
SCALE: NONE



CONCRETE MEDIAN BARRIER SADDLE
SCALE: 3" = 1'-0"

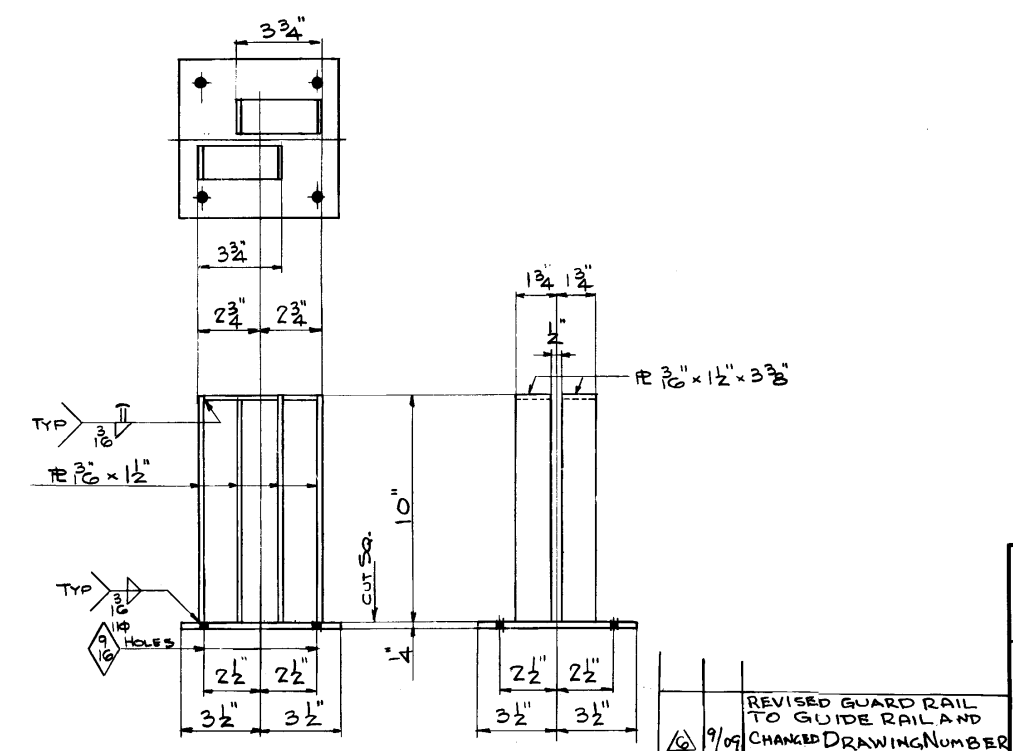
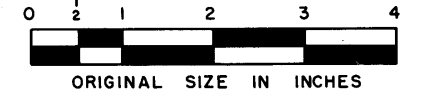


SADDLE PIN DETAIL
SCALE: NONE



SADDLE LEVELING BOLT
SCALE: NONE

- NOTES:**
1. THE SIGN STAND AND CONCRETE MEDIAN BARRIER SADDLE SHALL BE ASTM ALUMINUM ALLOY 6061-T6 UNPAINTED.
 2. GUIDE RAIL SUPPORT SHALL BE ASTM A709 GRADE 36 STEEL, HOT DIPPED GALVANIZED ASTM A123 AFTER FABRICATION.
 3. SADDLE PIN SHALL BE STAINLESS STEEL.
 4. THE SADDLE LEVELING BOLT SHALL BE FABRICATED FROM THE FOLLOWING MATERIALS:
HANDLE - CAST ALUMINUM
SWIVEL HEAD SEAT - STAINLESS STEEL
THREADED ROD AND HEX NUT - STAINLESS STEEL
 5. ALL OTHER MATERIALS - BOLTS, NUTS, WASHERS SHALL BE FABRICATED FROM STAINLESS STEEL.
 6. FASPIN/CABLE ASSY. SHALL BE MANUFACTURED BY THE AEROFAST CO., INC. P.O. BOX 324, 360 GUNDERSON DRIVE, WHEATON, IL. 60189 OR EQUAL.
 7. MINOR VARIATIONS IN THE SHAPE &/OR DIMENSIONS OF THE LEVELING BOLT HANDLE MAY BE ALLOWED UPON PRIOR APPROVAL BY THE AUTHORITY.



GUIDE RAIL SUPPORT
SCALE: 3" = 1'-0"

NO.	DATE	REVISION
4/98		REVISED SADDLE PIN & LEVELING BOLT
12/96		REVISED ASTM DESIGNATION
8/89		REVISED AS PER MAINT. DEPT.
2/89		REVISED AS PER MAINT. DEPT.
6/88		REVISED AS PER MAINT. DEPT.

NEW JERSEY TURNPIKE AUTHORITY
NEW JERSEY TURNPIKE

SIGN STAND TYPE III
FOR MOUNTING ON GUIDE RAIL
OR CONCRETE MEDIAN BARRIER

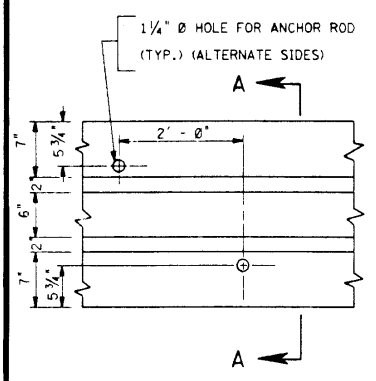
ENGINEERING DEPARTMENT
NEW BRUNSWICK, NEW JERSEY

SCALE: AS NOTED DATE: 10/87

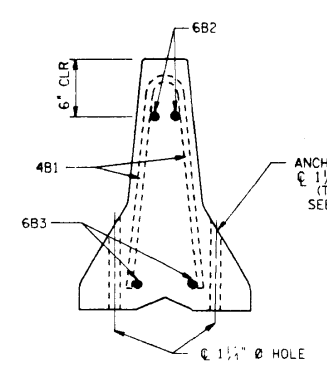
STANDARD DRAWING **TP-23**

GENERAL NOTES:

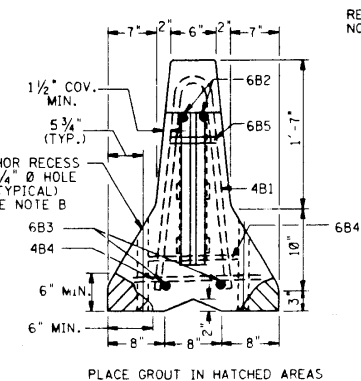
- STEEL PLATE SHALL BE ASTM A709, GRADE 36, GRADE 50 OR GRADE 50W.
- REINFORCING BARS SHALL BE ASTM A615, GRADE 60.
- CONCRETE SHALL BE WHITE OR GREY CLASS A (4500 PSI MIN. COMP. STRENGTH AT 28 DAYS).
- CONCRETE CLEAR COVER FOR REINFORCING BARS SHALL BE 1 1/2" (MIN.).
- A MINIMUM OF (2) TWO RECESSED LIFTING DEVICES SHALL BE USED ON EACH SECTION. EACH LIFTING DEVICE SHALL HAVE A MINIMUM CAPACITY OF 6 TONS.
- TUBE STEEL SHALL BE ASTM A588, GRADE B OR C.
- ANCHOR RODS SHALL BE 1" Ø ASTM A36.
- ANCHOR RODS ARE NOT REQUIRED IN EVERY UNIT. SEE TABLE OF JOINT TREATMENTS.
- ALL END SECTIONS SHALL BE PINNED UNLESS OTHERWISE NOTED.
- 2 1/2" x 5 1/2" DRAINAGE POCKETS - TWO REQUIRED IN SECTIONS 12' & GREATER, 1 REQUIRED IN 8' & 10' SECTIONS.
- AFTER A BARRIER UNIT HAS BEEN PLACED AND THE CONNECTION KEY INSERTED, REMOVE ANY SLACK IN THE JOINT BY PULLING THE UNIT IN A DIRECTION PARALLEL TO ITS LONGITUDINAL AXIS.
- THE PRECAST CONCRETE CURB, CONSTRUCTION BARRIER SHALL BE CAST IN STEEL FORMS.
- THE PRECAST CONCRETE CURB SHALL BE UNITS OF 20', HOWEVER, OTHER LENGTHS MAY BE USED TO MEET FIELD CONDITIONS. THE NUMBER AND PLACEMENT OF THE 4B4 AND 4B5 BARS WILL VARY WITH THE LENGTH OF THE BARRIER UNIT AS SHOWN ON THE TABLE OF VARIABLE BARS. THE 6B2 AND 6B3 BARS SHALL BE 10' SHORTER THAN THE NOMINAL LENGTH OF THE BARRIER UNITS.
- THE REINFORCING SHOWN IS THE MINIMUM REQUIRED. ADDITIONAL REINFORCING NECESSARY FOR HANDLING SHALL BE THE OPTION AND RESPONSIBILITY OF THE CONTRACTOR.
- SHOP DRAWINGS SHALL BE SUBMITTED TO THE ENGINEER FOR APPROVAL.



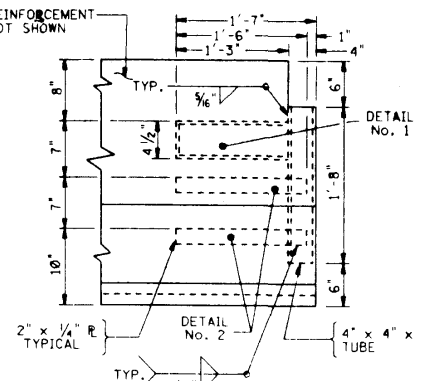
PLAN-ANCHOR RECESS
N.T.S.



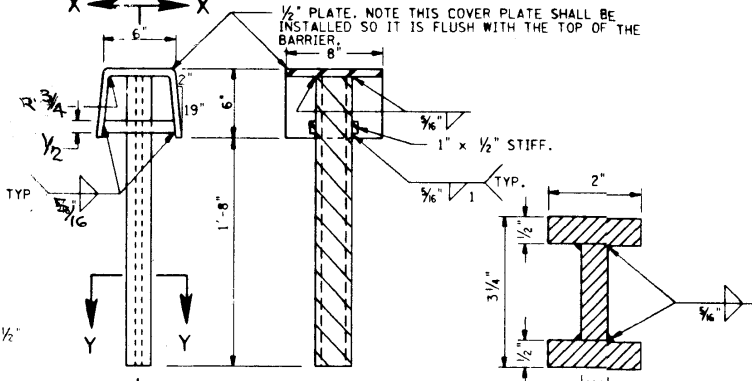
SECTION A-A
N.T.S.



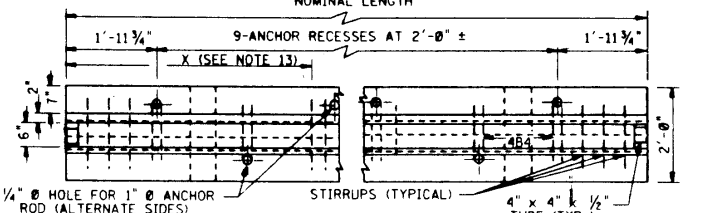
SECTION D-D
N.T.S.



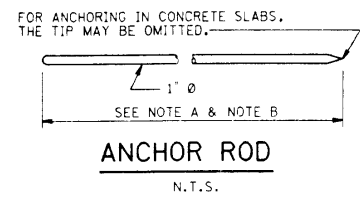
ELEVATION
N.T.S.



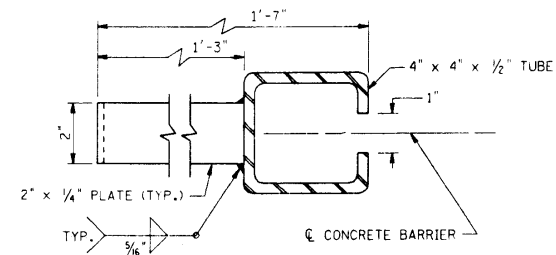
SECTION X-X
N.T.S.



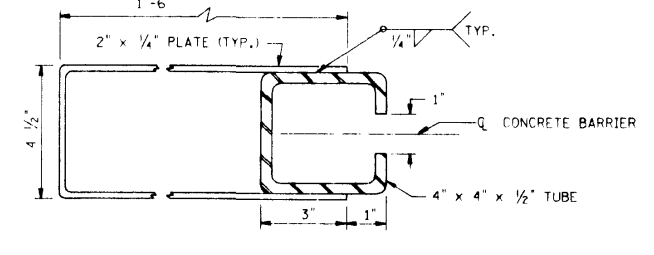
SECTION Y-Y
N.T.S.



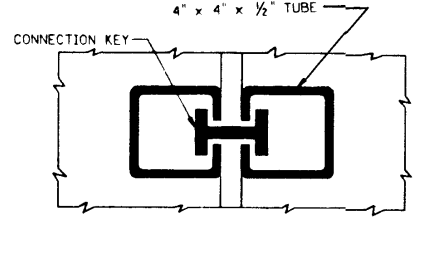
ANCHOR ROD
N.T.S.



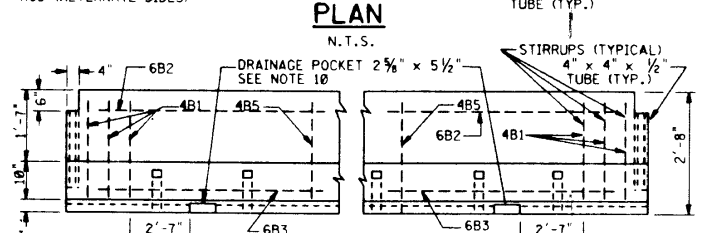
PLAN VIEW DETAIL No. 1



PLAN VIEW DETAIL No. 2



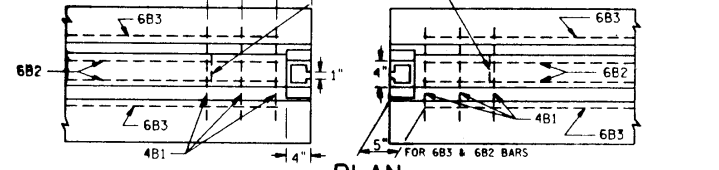
KEY IN PLACE



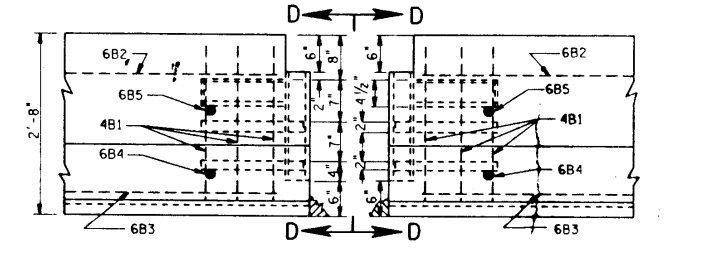
PLAN
N.T.S.



ELEVATION CONCRETE BARRIER
N.T.S.



PLAN
N.T.S.



ELEVATION BARRIER AT JOINT
N.T.S.

NOTE A:
THE LENGTH OF THE ANCHOR RODS SHALL BE SUCH THAT THE FOLLOWING MINIMUM EMBEDMENT LENGTHS ARE OBTAINED:
(a) INTO PORTLAND CEMENT CONCRETE PAVEMENTS AND BRIDGE DECK 5 INCHES
(b) INTO FLEXIBLE PAVEMENT 1'-6"
(c) INTO UNPAVED AREA 2'-6"
WHEN ANCHOR RODS ARE IN PLACE, THEY SHALL NOT PROJECT ABOVE THE PLANE OF THE CONCRETE SURFACE OF THE BARRIER.

NOTE B:
HOLES IN BRIDGE DECK SHALL BE 1 1/4" Ø MAXIMUM AND MADE WITH A CORE DRILL OR ANY OTHER APPROVED ROTARY DRILLING DEVICE THAT DOES NOT IMPART AN IMPACT FORCE. HOLES SHALL BE BLOWN CLEAN PRIOR TO PLACEMENT OF THE RODS.

NOTE C:
IN UNITS THAT ARE TO BE ANCHORED, PINS SHALL BE REQUIRED IN EVERY ANCHOR RECESS.

NOTE:
WELDING AND FABRICATION OF STEEL STRUCTURES SHALL BE IN ACCORDANCE WITH SECTIONS 1 THRU 6 OF THE ANSI/AASHTO/AWS D1.5 BRIDGE WELDING CODE AND SECTION 10 OF THE ANSI/AWS D1.1 STRUCTURAL WELDING CODE. SURFACES TO BE WELDED SHALL BE FREE OF SCALE, SLAG, RUST, MOISTURE, GREASE, OR ANY OTHER MATERIAL THAT WILL PREVENT PROPER WELDING OR PRODUCE OBJECTIONAL FUMES. WELDING SHALL BE SHIELDED METAL ARC WELDING USING PROPERLY DRIED 1/8" Ø E7018 ELECTRODES.

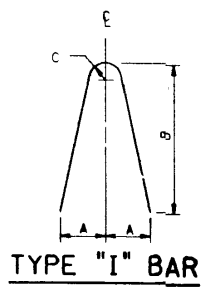
NOTES:
AFTER REMOVAL OF THE BARRIER, THE HOLES IN THE SURFACE ON WHICH THE BARRIER SAT WHICH WERE USED TO ANCHOR THE SYSTEM, SHALL BE FILLED. THE ONLY EXCEPTION IS WHEN THE HOLES ARE IN AN AREA WHICH IS TO BE REMOVED. HOLES IN FLEXIBLE PAVEMENT, OR UNPAVED AREAS SHALL BE FILLED AS DIRECTED. HOLES IN PORTLAND CEMENT CONCRETE PAVEMENTS OR STRUCTURAL DECK SHALL BE FILLED WITH NONSHRINK GROUT MATERIAL MEETING THE REQUIREMENTS OF SECTION 905.12

GENERAL NOTES (CONT.):
16. ALTERNATE DESIGN A (TP-24) OR B (TP-25) MAY BE USED INTERCHANGEABLY IN ANY LOCATION WHERE TYPE 4 HAS BEEN SPECIFIED, EXCEPT THAT ALTERNATE DESIGN B (TP-25) JOINT CLASS D, MUST BE USED WHERE NO DEFLECTION OF THE BARRIER CAN BE TOLERATED.

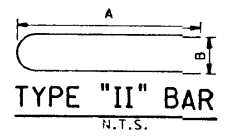
PRECAST CONCRETE CURB, CONSTRUCTION BARRIER TYPE 4

BARS LIST (EACH BARRIER SECTION)								
MARK	SIZE	NUMBER IN EACH SECTION	LENGTH	TYPE	A	B	C	LOCATION
4B1	4	6	4'-11"	I	5"	26"	2"	STIRRUPS
4B4	4	SEE NOTE 13	3'-1"	II	15 1/2"	4"		STIRRUPS
4B5	4	SEE NOTE 13	4'-11"	I	5"	26"	2"	STIRRUPS
6B2	6	2	SEE NOTE 13	STR.				LONGITUDINAL (TOP) NORMAL SECTION
6B3	6	2	SEE NOTE 13	STR.				LONGITUDINAL (BOTTOM) NORMAL SECTION
6B4	6	2	1'-2"	STR.				TRANSVERSE (BOTTOM) NORMAL SECTION
6B5	6	2	0'-6"	STR.				TRANSVERSE (TOP) NORMAL SECTION

JOINT CLASS	TABLE OF JOINT AND ANCHORAGE TREATMENTS	
	JOINT TREATMENT	MAXIMUM BARRIER DEFLECTION
A	CONNECTION KEY ONLY	42"
B	CONNECTION KEY & GROUT IN EVERY JOINT	16"
C	CONNECTION KEY & GROUT, IN EVERY JOINT & PIN EVERY OTHER UNIT. IN UNITS THAT ARE TO BE ANCHORED, PINS SHALL BE REQUIRED IN EVERY ANCHOR RECESS	11"



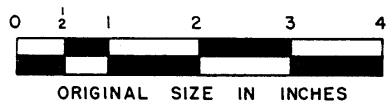
TYPE "I" BAR



TYPE "II" BAR
N.T.S.

TABLE OF VARIABLE BARS			
NOMINAL LENGTH OF BARRIER UNIT	MARK	"X"	NO. EACH SECTION
20'	4B4	N.A.	9
20'	4B5	6'-11"	2
18'	4B4	N.A.	8
18'	4B5	6'-5"	2
16'	4B4	N.A.	7
16'	4B5	5'-11"	2
14'	4B4	N.A.	6
14'	4B5	7'-0"	1
12'	4B4	N.A.	5
12'	4B5	6'-0"	1
10'	4B4	N.A.	4
10'	4B5	5'-0"	1
8'	4B4	N.A.	3
8'	4B5	-	0

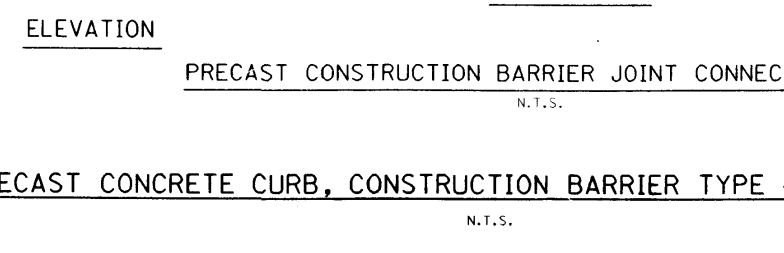
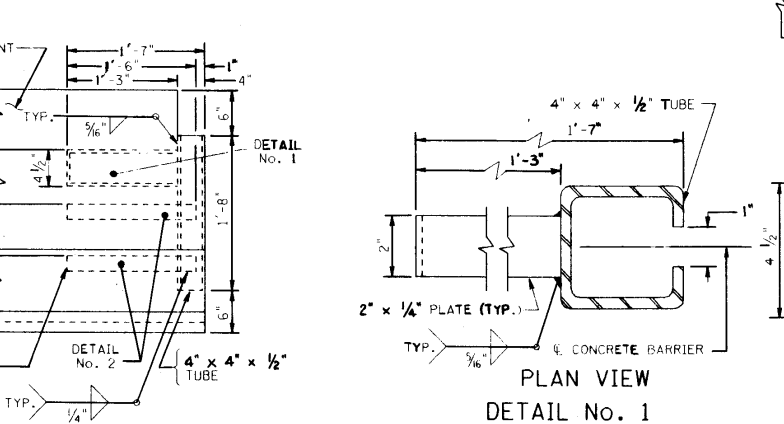
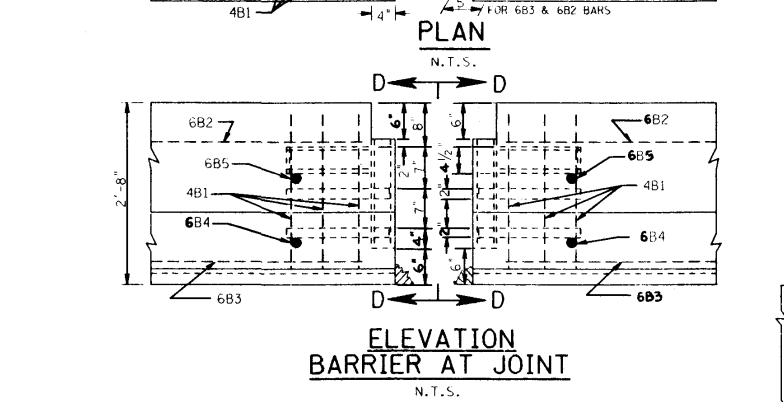
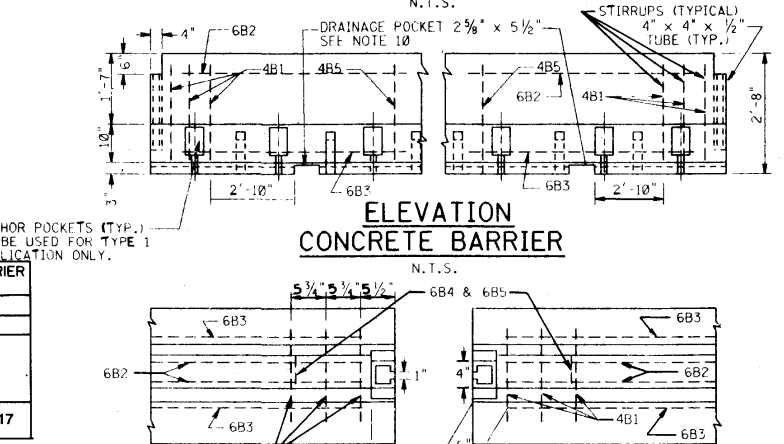
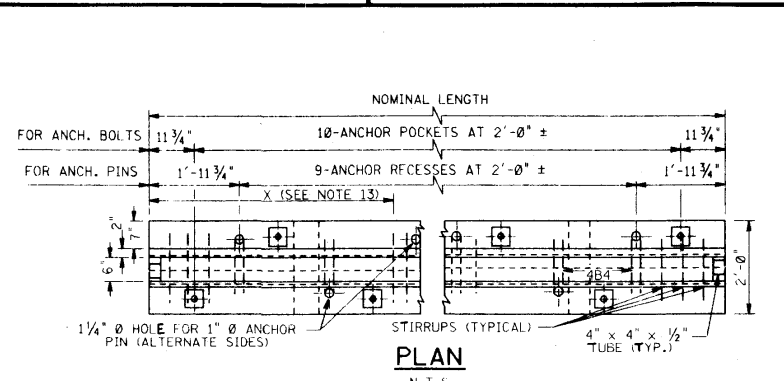
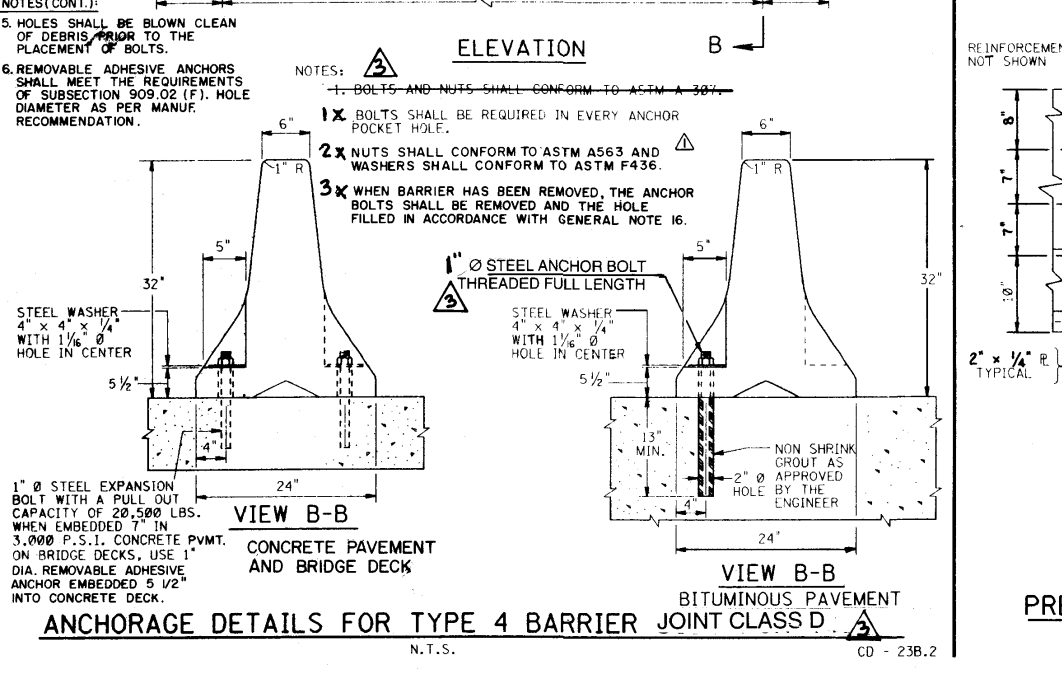
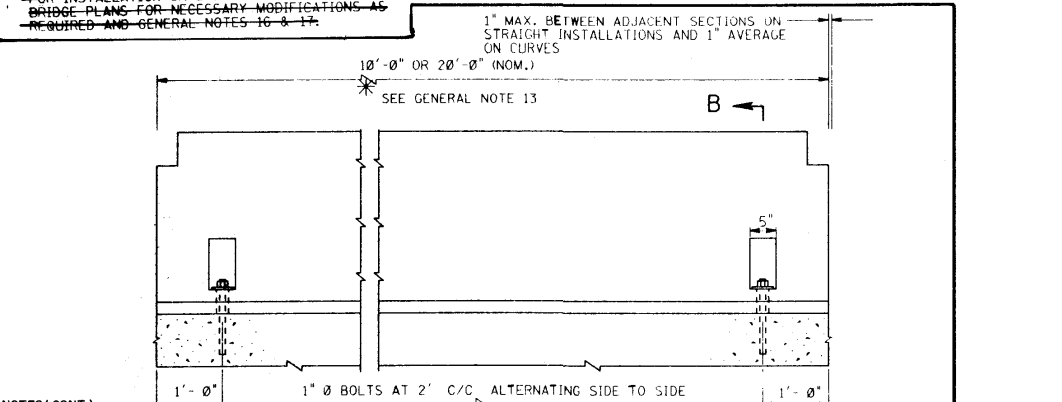
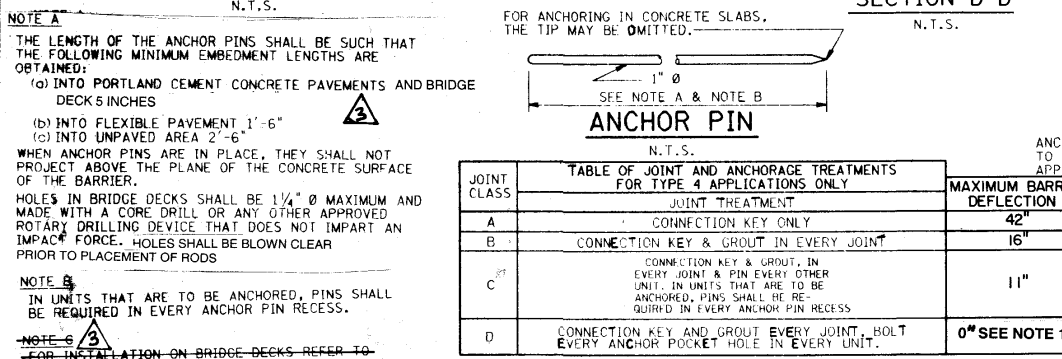
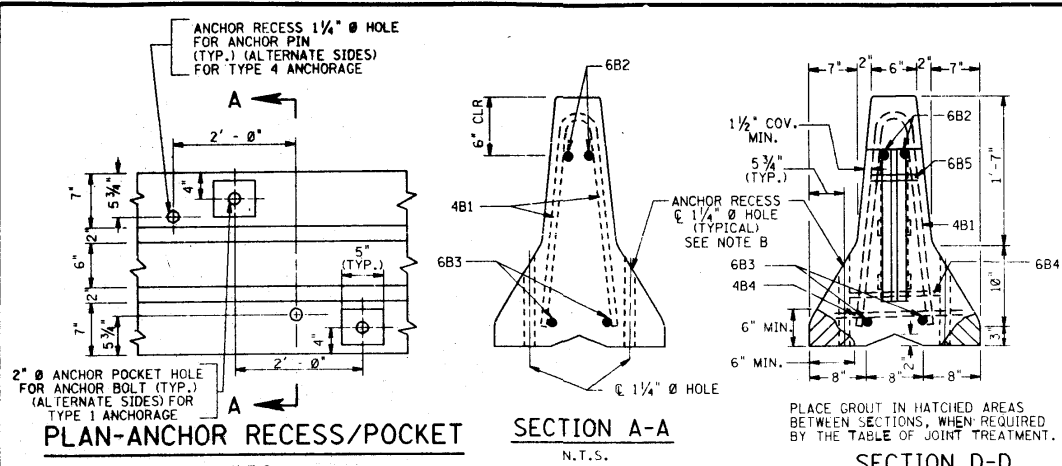
"X" DISTANCE FROM END OF BARRIER TO 4B5 BAR



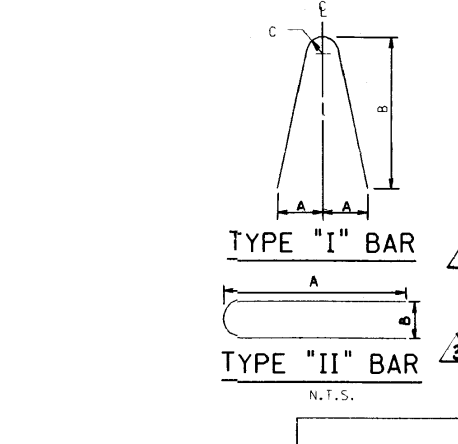
ORIGINAL SIZE IN INCHES

APP.	NO.	DATE	REVISION
△	9/09		REVISED DRAWING NUMBER
△	6/07		REVISED NOTE A, DELETED NOTE C
△	8/05		REVISED NOTE B
△	12/96		REVISED ASTM DESIGNATION
			ORIGINAL DRAWING

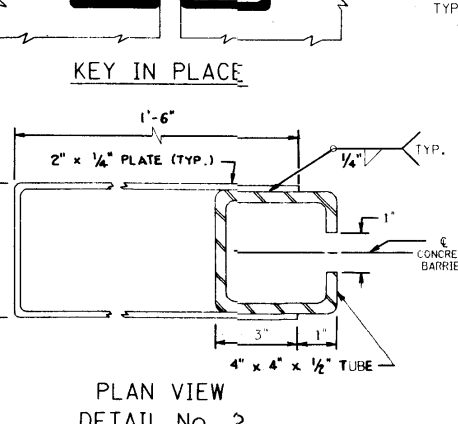
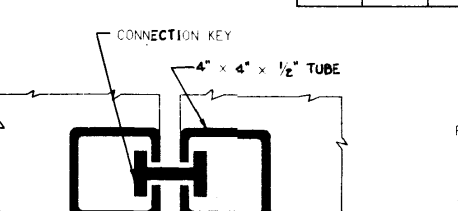
NEW JERSEY TURNPIKE AUTHORITY
NEW JERSEY TURNPIKE
PRECAST CONCRETE CONSTRUCTION BARRIER
TYPE 4 - ALT. A
OFFICE OF THE CHIEF ENGINEER
NEW BRUNSWICK NEW JERSEY
1994 STANDARD DRAWING TP-24



NOMINAL LENGTH OF BARRIER UNIT	MARK	"X"	NO. EACH SECTION
20'	4B4	N.A.	9
20'	4B5	6'-11"	2
18'	4B4	N.A.	8
18'	4B5	6'-5"	2
16'	4B4	N.A.	7
16'	4B5	5'-11"	2
14'	4B4	N.A.	6
14'	4B5	7'-0"	1
12'	4B4	N.A.	5
12'	4B5	6'-0"	1
10'	4B4	N.A.	4
10'	4B5	5'-0"	1
8'	4B4	N.A.	3
8'	4B5	-	0



MARK	SIZE	NUMBER IN EACH SECTION	LENGTH	TYPE	A	B	C	LOCATION
4B1	4	6	4'-11"	I	5"	26"	2"	STIRRUPS
4B4	4	SEE NOTE 13	3'-1"	II	15 1/2"	4"		STIRRUPS
4B5	4	SEE NOTE 13	4'-11"	I	5"	26"	2"	STIRRUPS
6B2	6	2	SEE NOTE 13	STR.				LONGITUDINAL (TOP) NORMAL SECTION
6B3	6	2	SEE NOTE 13	STR.				LONGITUDINAL (BOTTOM) NORMAL SECTION
6B4	6	2	1'-2"	STR.				TRANSVERSE (BOTTOM) NORMAL SECTION
6B5	6	2	0'-6"	STR.				TRANSVERSE (TOP) NORMAL SECTION



NO.	DATE	REVISION
1	9/09	REVISED DRAWING NUMBER
2	6/07	VARIOUS REVISIONS
3	8/06	REVISED NOTE NO. 3
4	12/96	REVISED ASTM DESIGNATION & MINOR REVISIONS
5	1/94	ORIGINAL DRAWING

- GENERAL NOTES:
- STEEL PLATE SHALL BE ASTM A709, GRADE 50 OR GRADE 50W.
 - REINFORCING BARS SHALL BE ASTM A615, GRADE 60.
 - CONCRETE SHALL BE WHITE OR GREY CLASS A (4,500 P.S.I. MIN. COMP STR. AT 28 DAYS)
 - CONCRETE CLEAR COVER FOR REINFORCING BARS SHALL BE 1 1/2" (MIN.).
 - A MINIMUM OF (2) TWO RECESSED LIFTING DEVICES SHALL BE USED ON EACH SECTION. EACH LIFTING DEVICE SHALL HAVE A MINIMUM CAPACITY OF 4 TONS.
 - TUBE STEEL SHALL BE ASTM A500, GRADE B OR C.
 - ANCHOR PINS SHALL BE 1" Ø ASTM A36.
 - ANCHOR PINS ARE NOT REQUIRED IN EVERY UNIT. SEE TABLE OF JOINT TREATMENTS.
 - ALL END SECTIONS SHALL BE PINNED UNLESS OTHERWISE NOTED.
 - 2 3/4" x 5 1/2" DRAINAGE POCKETS - TWO REQUIRED IN SECTIONS 12' & GREATER, 1 REQUIRED IN 8' & 10' SECTIONS.
 - AFTER A BARRIER UNIT HAS BEEN PLACED AND THE CONNECTION KEY INSERTED, REMOVE ANY SLACK IN THE JOINT BY PULLING THE UNIT IN A DIRECTION PARALLEL TO ITS LONGITUDINAL AXIS.
 - THE PRECAST CONCRETE CURB, CONSTRUCTION BARRIER SHALL BE CAST IN STEEL FORMS.
 - THE PRECAST CONCRETE CURB SHALL BE UNITS OF 10' OR 20', HOWEVER, OTHER LENGTHS MAY BE USED TO MEET FIELD CONDITIONS. THE NUMBER AND PLACEMENT OF THE 4B4 AND 4B5 BARS WILL VARY WITH THE LENGTH OF THE BARRIER UNIT AS SHOWN ON THE TABLE OF VARIABLE BARS. THE 6B2 AND 6B3 BARS SHALL BE 10' SHORTER THAN THE NOMINAL LENGTH OF THE BARRIER UNITS.
 - REINFORCING SHOWN IS THE MINIMUM REQUIRED. ADDITIONAL REINFORCING NECESSARY FOR HANDLING SHALL BE THE OPTION AND RESPONSIBILITY OF THE CONTRACTOR.
 - WELDING AND FABRICATION OF STEEL STRUCTURES SHALL BE IN ACCORDANCE WITH SECTIONS 1 THRU 6 OF THE ANSI/AASHTO/AWS D1.5 BRIDGE WELDING CODE AND SECTION 10 OF THE ANSI/AWS D1.1 STRUCTURAL WELDING CODE. SURFACES TO BE WELDED SHALL BE FREE OF SCALE, RUST, MOISTURE, GREASE, OR ANY OTHER MATERIAL THAT WILL PREVENT PROPER WELDING OR PRODUCE OBJECTIONAL FUMES. WELDING SHALL BE SHIELDED METAL ARC WELDING USING PROPERLY DRIED 1/2" Ø E7018 ELECTRODES.
 - AFTER REMOVAL OF THE BARRIER, THE HOLES IN THE SURFACE ON WHICH THE BARRIER WAS USED TO ANCHOR THE SYSTEM, SHALL BE FILLED. THE ONLY EXCEPTION IS WHEN THE HOLES ARE IN AN AREA WHICH IS TO BE REMOVED. HOLES IN FLEXIBLE PAVEMENT, OR UNPAVED AREAS SHALL BE FILLED AS DIRECTED. HOLES IN PORTLAND CEMENT CONCRETE PAVEMENTS, OR STRUCTURAL DECKS, SHALL BE FILLED WITH NON-SHRINK GROUT MEETING THE REQUIREMENTS OF SECTION 905.12, EXCEPT THAT IN LATEX MODIFIED CONCRETE BRIDGE DECK, A COMPATIBLE NON-SHRINK GROUT MATERIAL SHALL BE USED. FOR HOLES WHERE ADHESIVE ANCHORS WERE PLACED, THE HOLE SHALL BE FILLED WITH THE APPROVED ADHESIVE.
 - ALTERNATE DESIGN A (TP-24) OR B (TP-25) MAY BE USED INTERCHANGEABLY IN ANY LOCATION WHERE TYPE 4 HAS BEEN SPECIFIED, EXCEPT THAT ALTERNATE DESIGN B (TP-24), JOINT CLASS D, MUST BE USED WHERE NO DEFLECTION OF THE BARRIER CAN BE TOLERATED.
 - CONSTRUCTION BARRIER TYPE 4 - ALT. B - JOINT CLASS D - MAY BE USED IN ANY LOCATION WHERE TYPE 4 HAS BEEN SPECIFIED, EXCEPT THAT NO INTERMINGING OF TYPE 4 - ALT. B IN ANY ONE CONSTRUCTION RUN.
 - SHOP DRAWINGS SHALL BE SUBMITTED TO THE ENGINEER FOR APPROVAL.

NEW JERSEY TURNPIKE AUTHORITY
NEW JERSEY TURNPIKE
PRECAST CONCRETE CONSTRUCTION BARRIER
TYPE 4 - ALT. B
OFFICE OF THE CHIEF ENGINEER
NEW BRUNSWICK NEW JERSEY
1994 STANDARD DRAWING TP-25

APPENDIX B

LANE CLOSURE AND SHOULDER CLOSURE TABLES

NEW JERSEY TURNPIKE AUTHORITY

LANE CLOSURE AND SHOULDER CLOSURE TABLES OCTOBER 2009

NEW JERSEY TURNPIKE AND GARDEN STATE PARKWAY

The Lane Closure and Shoulder Closure Tables indicate when lane and shoulder closures may be scheduled in non-emergency short-term work zones to maintain the flow of traffic. Short-term work zones typically involve the use of cones for traffic control and also include:

- Supplemental closures to long-term work zones or High-Intensity Construction Cycles (HICCs) for access or traffic control changes;
- Closures used to establish traffic control for long-term work zones.

The Lane Closure and Shoulder Closure Tables do not apply to all conditions. Examples of exceptions are:

- Short-term work zones extending within 1,000 feet of ramp termini;
- Near an off-ramp that may periodically queue;
- In the vicinity of a toll plaza;
- Any mileposts between two tables or not covered under any table.

The NJTA Operations Department will determine in what situations the Lane Closure and Shoulder Closure Tables apply, and will provide the appropriate lane and shoulder closure hours for other conditions. The most restrictive table shall be applied to the entire work zone unless the NJTA Operations Department approves a work zone configuration conforming to all applicable Lane Closure and Shoulder Closure Tables. Follow the Authority's Traffic Closure Request Procedure when requesting a lane closure or shoulder closure.

Only the NJTA Operations Department may approve the scheduling of a lane, shoulder, ramp or roadway closure. If a conflict arises between two or more applications for a lane or shoulder closure, the Departments of the Authority will determine the priority of each application. The Applicant or other work personnel should coordinate work to minimize conflicts as described in the Standard Specifications.

A list of pre-approved taper points will be provided by the NJTA Operations Department for most projects. The list may be included on the plans or within the project-specific Supplementary Specifications. On some projects, allowable taper points will be provided by the NJTA Operations Department or the State Police during construction. Any taper point that has not been issued by the NJTA Operations Department or the State Police must be submitted by the Engineer for approval by the Director of Operations before it is used unless an alternative approval method is specified by contract documents.

The Authority's Toll Lane Closing Request (Parkway only), Lane Closing Request and Roadway Closing Forms shall be submitted according to the Authority's Traffic Closure Request Procedure.

The NJTA Operations Department must approve any exceptions to the lane and shoulder closure restrictions shown in the Lane Closure and Shoulder Closure Tables, described in the Manual for Traffic Control for Work Zones and included in the plans or Supplementary Specifications. Restrictions requiring coordination with other agencies will be provided by the NJTA Operations Department on a case-by-case basis. As described in the Manual for Traffic Control in Work Zones, both the Authority and the Applicant or other work personnel are responsible for coordination.

When a proposed closure extends within 1,000 feet of an interchange or service area ramp, measured from the physical nose of the ramp in either direction to any part of the closure (cone or barrier segment, including tapers), the NJTA Operations Department will advise of any additional restrictions to be imposed on allowable lane and shoulder closure hours or any required traffic mitigation. The NJTA Operations Department may modify allowable closure hours from what is shown in the Lane Closure and Shoulder Closure Tables based on specific roadway conditions and work zone characteristics.

There are gaps in mileposts between certain tables due to transitional conditions different from traffic flows on the rest of the New Jersey Turnpike and Garden State Parkway facilities. The NJTA Operations Department will advise the Applicant of allowable lane and shoulder closure hours in these gap areas. The locations of these gaps are listed in Table 1.

Interchanges are numbered by milepost on the Garden State Parkway but are sequentially numbered on the New Jersey Turnpike. See Table 2 to relate mileposts and interchanges on the Turnpike. The Lane and Shoulder Closure Tables are shown only by milepost for consistency and because not every break between tables is at an interchange.

The number of lanes in the roadway section shown in the Lane and Shoulder Closure Tables may vary due to auxiliary lanes between ramps and interchanges or other speed-change lanes. The minimum number of lanes listed in the Lane Closure Tables must remain open regardless of the total number of lanes. Contract documents and other NJTA documents may list restrictions on lane and shoulder closures that govern over these Tables. The Director of Operations or designated representative may impose additional restrictions depending on the particular location of the work area.

Special conditions are noted at the bottom of some tables. Different roadway segments may have different seasonal definitions as described in each Lane Closure and Shoulder Closure Table. These seasonal definitions are summarized in Table 3.

Updates to the Lane and Shoulder Closure Tables will not affect contracts containing previous versions of the tables unless otherwise stated in contract documents.

Table 1. Gaps in Mileposts within Lane and Shoulder Closure Tables
 See page 2 of this Introduction.

Roadway(s)	Mileposts	Location	Table Page Numbers (SC and LC)
<u>Turnpike</u> Mainline	51.5 to 52.0	Pearl Harbor Extension junction	T-5 and T-6
<u>Turnpike</u> Mainline, Inner/Outer	72.4 to 74.0	Split of Inner/Outer Roadways, Interchange 8A	T-9, T-12, T-20
<u>Turnpike</u> Inner/Outer, Easterly/Westerly	105.7/105.9 to E/W 106.6/106.8	Southern Mixing Bowl, Interchange 15E	T-19, T-27, T-28, T-32, T-37
<u>Turnpike</u> Easterly	E112.0 to E112.5	Interchange 16E/18E	T-34, T-35
<u>Parkway</u> Mainline, Express/Local	103.9 to 104.2	Split of Express/Local Roadways, Asbury Park Toll Plaza (NB)	P-9, P-10, P-11
<u>Parkway</u> Mainline, Express/Local	124.7 (Local), 125.3/125.0 (Express) to 125.6/126.0	Split of Express/Local Roadways, Raritan Toll Plaza (SB)	P-10, P-12, P-13
<u>Parkway</u> Mainline	129.2 to 129.9	Interchange 129 ramps	P-14, P-15

Table 2. Relating Mileposts and Interchanges on the New Jersey Turnpike

Mileposts**	Interchanges	Section
0.0 - 13.0	1-2	MAINLINE
13.0 - 26.1	2-3	
26.1 - 34.8	3-4	
34.8 - 44.2	4-5	
44.2 - 51.5*	5-J (Junction with PHMTE)	
52.0* - 53.9	J-7	
53.9 - 60.5	7-7A	
60.5 - 67.6	7A-8	
67.6 - 72.4*	8-8A (Dual-Dual split)	
(PE) 2.6 (EB) / 2.3 (WB) - 6.1	J-6A	PHMTE
(PE) 0.0 - 2.6 (EB) / 2.3 (WB)	6A-Pennsylvania	
74.0* - 83.4 (NB) / 83.8 (SB)	8A-9	DUAL-DUAL (INNER AND OUTER)
83.4 (NB) / 83.8 (SB) - 88.0	9-10	
88.0 - 91.6	10-11	
91.6 - 96.1	11-12	
96.1 - 99.9	12-13	
99.9 - 101.4	13-13A	
101.4 - 104.4	13A-14	
104.4 - 105.7 (105.0 - 105.9 on Int. 14 ramps)	14-M (Southern Mixing Bowl)	NBHCE
N0.0 - N3.3	14-14A	
N3.3 - N5.4	14A-14B	
N5.4 - N8.1	14B-end (NJ Route 139)	WESTERLY
W106.6 (NB) / W106.8 (SB)* - W108.9	M (Interchange 15E)-15W	
W108.9 - W112.6	15W-16W	
W112.6 - W116.7	16W-68 (US 46, Northern Mixing Bowl)	EASTERLY
E106.8 (NB) / E106.6 (SB)* - E108.8	M (Interchange 15E)-JE (Interchange 15W)	
E108.8 - E110.9	JE-15X	
E110.9 - E112.0*	15X-16E/18E	
E112.5* - E113.1 (NB) / E113.3 (SB)	16E/18E-17	
E113.1 (NB) / E113.3 (SB) - E116.6 (NB) / E116.8 (SB)	17-68 (US 46, Northern Mixing Bowl)	

* Gaps between mileposts 51.5-52.0 (PHMTE junction), 72.4-74.0 (Inner/Outer Roadway split), 105.7/105.9-106.6/106.8 (Southern Mixing Bowl) and E112.0-E112.5 (Interchange 16E/18E) are due to major roadway merges/diverges. See Table 1.

** Note that mileposts shown here correspond to the actual points where ramps merge and diverge from the Turnpike roadway and/or where lanes are added or dropped. These are different than the official Interchange mileposts.

Table 3. Seasonal Definitions in Lane and Shoulder Closure Tables

SECTION	“SUMMER”	“SPRING/FALL”	“OFF-SEASON”
New Jersey Turnpike south of Int. 11	May 15-September 14	N.A.	September 15-May 14
New Jersey Turnpike north of Int. 11	May 15-September 14	March 1-May 14 September 15-December 14	“WINTER” : December 15-February 28/29
Garden State Parkway south of Int. 129	May 15-September 14	N.A.	September 15-May 14
Garden State Parkway north of Int. 129	May 1-October 14	N.A.	October 15-April 30

NEW JERSEY TURNPIKE AUTHORITY

LANE CLOSURE TABLES

OCTOBER 2009

NEW JERSEY TURNPIKE AUTHORITY

Lane Closure Tables **October 2009**

I. NEW JERSEY TURNPIKE

NEW JERSEY TURNPIKE MAINLINE
LANE CLOSURES: MP 0.0 TO 13.0

of lanes: Northbound Southbound (Number of lanes may vary within section)
 2 2

Maintain minimum number of lanes throughout work zone as shown below regardless of total number of lanes, excluding previously approved long-term work efforts.

Hour	Number of Lanes that Must Remain Open, SUMMER (May 15 through September 14)									
	Monday - Wednesday		Thursday		Friday		Saturday		Sunday	
	Northbound	Southbound	Northbound	Southbound	Northbound	Southbound	Northbound	Southbound	Northbound	Southbound
12 am-1 am	1	1	1	1	1	1	1	1	1	1
1 am-2 am	1	1	1	1	1	1	1	1	1	1
2 am-3 am	1	1	1	1	1	1	1	1	1	1
3 am-4 am	1	1	1	1	1	1	1	1	1	1
4 am-5 am	1	1	1	1	1	1	1	1	1	1
5 am-6 am	1	1	1	1	1	1	1	1	1	1
6 am-7 am	1	1	1	1	1	1	1	1	1	1
7 am-8 am	1	1	1	1	1	1	1	1	1	1
8 am-9 am	1	1	1	1	1	1	1	2	1	1
9 am-10 am	1	1	1	1	1	1	2	2	1	1
10 am-11 am	1	1	1	1	2	2	2	2	2	2
11 am-12 pm	1	1	1	1	2	2	2	2	2	2
12 pm-1 pm	1	1	2	2	2	2	2	2	2	2
1 pm-2 pm	1	1	2	2	2	2	2	2	2	2
2 pm-3 pm	1	1	2	2	2	2	2	2	2	2
3 pm-4 pm	1	1	2	2	2	2	2	2	2	2
4 pm-5 pm	1	1	1	2	2	2	2	1	2	2
5 pm-6 pm	1	1	1	2	2	2	2	1	2	2
6 pm-7 pm	1	1	1	1	2	2	1	1	2	2
7 pm-8 pm	1	1	1	1	2	2	1	1	2	2
8 pm-9 pm	1	1	1	1	2	2	1	1	2	2
9 pm-10 pm	1	1	1	1	2	2	1	1	2	2
10 pm-11 pm	1	1	1	1	1	2	1	1	1	1
11 pm-12 am	1	1	1	1	1	1	1	1	1	1

Hour	Number of Lanes that Must Remain Open, OFF-SEASON (September 15 through May 14)									
	Monday - Wednesday		Thursday		Friday		Saturday		Sunday	
	Northbound	Southbound	Northbound	Southbound	Northbound	Southbound	Northbound	Southbound	Northbound	Southbound
12 am-1 am	1	1	1	1	1	1	1	1	1	1
1 am-2 am	1	1	1	1	1	1	1	1	1	1
2 am-3 am	1	1	1	1	1	1	1	1	1	1
3 am-4 am	1	1	1	1	1	1	1	1	1	1
4 am-5 am	1	1	1	1	1	1	1	1	1	1
5 am-6 am	1	1	1	1	1	1	1	1	1	1
6 am-7 am	1	1	1	1	1	1	1	1	1	1
7 am-8 am	1	1	1	1	1	1	1	1	1	1
8 am-9 am	1	1	1	1	1	1	1	1	1	1
9 am-10 am	1	1	1	1	1	1	1	2	1	1
10 am-11 am	1	1	1	1	1	1	2	2	1	1
11 am-12 pm	1	1	1	1	2	2	2	2	2	2
12 pm-1 pm	1	1	1	1	2	2	2	2	2	2
1 pm-2 pm	1	1	1	1	2	2	2	2	2	2
2 pm-3 pm	1	1	1	1	2	2	2	2	2	2
3 pm-4 pm	1	1	1	1	2	2	1	1	2	2
4 pm-5 pm	1	1	1	1	2	2	1	1	2	2
5 pm-6 pm	1	1	1	1	2	2	1	1	2	2
6 pm-7 pm	1	1	1	1	1	2	1	1	2	2
7 pm-8 pm	1	1	1	1	1	1	1	1	2	2
8 pm-9 pm	1	1	1	1	1	1	1	1	1	2
9 pm-10 pm	1	1	1	1	1	1	1	1	1	1
10 pm-11 pm	1	1	1	1	1	1	1	1	1	1
11 pm-12 am	1	1	1	1	1	1	1	1	1	1

NEW JERSEY TURNPIKE MAINLINE
LANE CLOSURES: MP 13.0 TO 26.1

of lanes: Northbound Southbound (Number of lanes may vary within section)
 2 2

Maintain minimum number of lanes throughout work zone as shown below regardless of total number of lanes, excluding previously approved long-term work efforts.

Hour	Number of Lanes that Must Remain Open, SUMMER (May 15 through September 14)									
	Monday - Wednesday		Thursday		Friday		Saturday		Sunday	
	Northbound	Southbound	Northbound	Southbound	Northbound	Southbound	Northbound	Southbound	Northbound	Southbound
12 am-1 am	1	1	1	1	1	1	1	1	1	1
1 am-2 am	1	1	1	1	1	1	1	1	1	1
2 am-3 am	1	1	1	1	1	1	1	1	1	1
3 am-4 am	1	1	1	1	1	1	1	1	1	1
4 am-5 am	1	1	1	1	1	1	1	1	1	1
5 am-6 am	1	1	1	1	1	1	1	1	1	1
6 am-7 am	1	1	1	1	1	1	1	1	1	1
7 am-8 am	1	1	1	1	1	1	1	1	1	1
8 am-9 am	1	1	1	1	1	2	1	2	1	1
9 am-10 am	1	1	1	1	1	2	2	2	1	1
10 am-11 am	1	1	1	1	2	2	2	2	2	2
11 am-12 pm	1	1	1	1	2	2	2	2	2	2
12 pm-1 pm	1	2	2	2	2	2	2	2	2	2
1 pm-2 pm	1	2	2	2	2	2	2	2	2	2
2 pm-3 pm	1	2	2	2	2	2	2	2	2	2
3 pm-4 pm	1	2	2	2	2	2	2	2	2	2
4 pm-5 pm	1	2	2	2	2	2	2	2	2	2
5 pm-6 pm	1	2	1	2	2	2	2	1	2	2
6 pm-7 pm	1	1	1	2	2	2	2	1	2	2
7 pm-8 pm	1	1	1	1	2	2	1	1	2	2
8 pm-9 pm	1	1	1	1	2	2	1	1	2	2
9 pm-10 pm	1	1	1	1	2	2	1	1	2	2
10 pm-11 pm	1	1	1	1	1	2	1	1	1	1
11 pm-12 am	1	1	1	1	1	1	1	1	1	1

Hour	Number of Lanes that Must Remain Open, OFF-SEASON (September 15 through May 14)									
	Monday - Wednesday		Thursday		Friday		Saturday		Sunday	
	Northbound	Southbound	Northbound	Southbound	Northbound	Southbound	Northbound	Southbound	Northbound	Southbound
12 am-1 am	1	1	1	1	1	1	1	1	1	1
1 am-2 am	1	1	1	1	1	1	1	1	1	1
2 am-3 am	1	1	1	1	1	1	1	1	1	1
3 am-4 am	1	1	1	1	1	1	1	1	1	1
4 am-5 am	1	1	1	1	1	1	1	1	1	1
5 am-6 am	1	1	1	1	1	1	1	1	1	1
6 am-7 am	1	1	1	1	1	1	1	1	1	1
7 am-8 am	1	1	1	1	1	1	1	1	1	1
8 am-9 am	1	1	1	1	1	1	1	1	1	1
9 am-10 am	1	1	1	1	1	1	1	2	1	1
10 am-11 am	1	1	1	1	1	1	2	2	1	1
11 am-12 pm	1	1	1	1	2	2	2	2	2	2
12 pm-1 pm	1	1	1	1	2	2	2	2	2	2
1 pm-2 pm	1	1	1	1	2	2	2	2	2	2
2 pm-3 pm	1	1	1	1	2	2	2	2	2	2
3 pm-4 pm	1	1	1	2	2	2	2	1	2	2
4 pm-5 pm	1	2	1	2	2	2	2	1	2	2
5 pm-6 pm	1	2	1	2	2	2	1	1	2	2
6 pm-7 pm	1	1	1	1	2	2	1	1	2	2
7 pm-8 pm	1	1	1	1	2	2	1	1	2	2
8 pm-9 pm	1	1	1	1	2	2	1	1	2	2
9 pm-10 pm	1	1	1	1	1	1	1	1	1	1
10 pm-11 pm	1	1	1	1	1	1	1	1	1	1
11 pm-12 am	1	1	1	1	1	1	1	1	1	1

**NEW JERSEY TURNPIKE MAINLINE
LANE CLOSURES: MP 26.1 TO 34.8**

# of lanes:	Northbound	Southbound	(Number of lanes may vary within section)
	2	2	

Maintain minimum number of lanes throughout work zone as shown below regardless of total number of lanes, excluding previously approved long-term work efforts.

Hour	Number of Lanes that Must Remain Open, SUMMER (May 15 through September 14)									
	Monday - Wednesday		Thursday		Friday		Saturday		Sunday	
	Northbound	Southbound	Northbound	Southbound	Northbound	Southbound	Northbound	Southbound	Northbound	Southbound
12 am-1 am	1	1	1	1	1	1	1	1	1	1
1 am-2 am	1	1	1	1	1	1	1	1	1	1
2 am-3 am	1	1	1	1	1	1	1	1	1	1
3 am-4 am	1	1	1	1	1	1	1	1	1	1
4 am-5 am	1	1	1	1	1	1	1	1	1	1
5 am-6 am	1	1	1	1	1	1	1	1	1	1
6 am-7 am	1	1	2	1	2	1	1	1	1	1
7 am-8 am	2	1	2	2	2	2	1	2	1	1
8 am-9 am	2	1	2	2	2	2	2	2	1	1
9 am-10 am	1	1	2	2	2	2	2	2	1	2
10 am-11 am	1	2	2	2	2	2	2	2	2	2
11 am-12 pm	1	2	2	2	2	2	2	2	2	2
12 pm-1 pm	2	2	2	2	2	2	2	2	2	2
1 pm-2 pm	2	2	2	2	2	2	2	2	2	2
2 pm-3 pm	2	2	2	2	2	2	2	2	2	2
3 pm-4 pm	2	2	2	2	2	2	2	2	2	2
4 pm-5 pm	2	2	2	2	2	2	2	2	2	2
5 pm-6 pm	1	2	2	2	2	2	2	2	2	2
6 pm-7 pm	1	2	1	2	2	2	2	2	2	2
7 pm-8 pm	1	1	1	1	2	2	1	1	2	2
8 pm-9 pm	1	1	1	1	2	2	1	1	2	2
9 pm-10 pm	1	1	1	1	2	2	1	1	2	2
10 pm-11 pm	1	1	1	1	2	2	1	1	1	1
11 pm-12 am	1	1	1	1	1	1	1	1	1	1

Hour	Number of Lanes that Must Remain Open, OFF-SEASON (September 15 through May 14)									
	Monday - Wednesday		Thursday		Friday		Saturday		Sunday	
	Northbound	Southbound	Northbound	Southbound	Northbound	Southbound	Northbound	Southbound	Northbound	Southbound
12 am-1 am	1	1	1	1	1	1	1	1	1	1
1 am-2 am	1	1	1	1	1	1	1	1	1	1
2 am-3 am	1	1	1	1	1	1	1	1	1	1
3 am-4 am	1	1	1	1	1	1	1	1	1	1
4 am-5 am	1	1	1	1	1	1	1	1	1	1
5 am-6 am	1	1	1	1	1	1	1	1	1	1
6 am-7 am	1	1	1	1	1	1	1	1	1	1
7 am-8 am	2	1	2	1	2	1	1	1	1	1
8 am-9 am	2	1	2	2	2	2	1	2	1	1
9 am-10 am	1	1	1	2	2	2	2	2	1	1
10 am-11 am	1	1	1	2	2	2	2	2	2	2
11 am-12 pm	1	2	1	2	2	2	2	2	2	2
12 pm-1 pm	1	2	1	2	2	2	2	2	2	2
1 pm-2 pm	1	2	2	2	2	2	2	2	2	2
2 pm-3 pm	2	2	2	2	2	2	2	2	2	2
3 pm-4 pm	2	2	2	2	2	2	2	2	2	2
4 pm-5 pm	1	2	2	2	2	2	2	2	2	2
5 pm-6 pm	1	2	1	2	2	2	2	1	2	2
6 pm-7 pm	1	2	1	2	2	2	1	1	2	2
7 pm-8 pm	1	1	1	1	2	2	1	1	2	2
8 pm-9 pm	1	1	1	1	2	2	1	1	2	2
9 pm-10 pm	1	1	1	1	1	2	1	1	1	1
10 pm-11 pm	1	1	1	1	1	1	1	1	1	1
11 pm-12 am	1	1	1	1	1	1	1	1	1	1

**NEW JERSEY TURNPIKE MAINLINE
LANE CLOSURES: MP 34.8 TO 44.2**

of lanes: Northbound Southbound (Number of lanes may vary within section)
 3 3

Maintain minimum number of lanes throughout work zone as shown below regardless of total number of lanes, excluding previously approved long-term work efforts.

Hour	Number of Lanes that Must Remain Open, SUMMER (May 15 through September 14)									
	Monday - Wednesday		Thursday		Friday		Saturday		Sunday	
	Northbound	Southbound	Northbound	Southbound	Northbound	Southbound	Northbound	Southbound	Northbound	Southbound
12 am-1 am	1	1	1	1	1	1	1	1	1	1
1 am-2 am	1	1	1	1	1	1	1	1	1	1
2 am-3 am	1	1	1	1	1	1	1	1	1	1
3 am-4 am	1	1	1	1	1	1	1	1	1	1
4 am-5 am	1	1	1	1	1	1	1	1	1	1
5 am-6 am	1	1	1	1	1	1	1	1	1	1
6 am-7 am	2	1	2	1	2	1	1	1	1	1
7 am-8 am	2	2	2	2	2	2	1	2	1	1
8 am-9 am	2	2	2	2	2	2	2	2	1	2
9 am-10 am	2	2	2	2	2	2	2	2	2	2
10 am-11 am	2	2	2	2	2	2	2	2	2	2
11 am-12 pm	2	2	2	2	2	2	2	2	2	2
12 pm-1 pm	2	2	2	2	2	3	2	2	2	2
1 pm-2 pm	2	2	2	2	2	3	2	2	2	2
2 pm-3 pm	2	2	2	2	3	3	2	2	2	2
3 pm-4 pm	2	2	2	2	3	3	2	2	3	2
4 pm-5 pm	2	2	2	2	2	3	2	2	3	2
5 pm-6 pm	2	2	2	2	2	3	2	2	3	2
6 pm-7 pm	2	2	2	2	2	2	2	2	2	2
7 pm-8 pm	1	2	2	2	2	2	2	2	2	2
8 pm-9 pm	1	1	1	2	2	2	2	2	2	2
9 pm-10 pm	1	1	1	2	2	2	1	2	2	2
10 pm-11 pm	1	1	1	1	2	2	1	1	2	2
11 pm-12 am	1	1	1	1	1	1	1	1	1	1

Hour	Number of Lanes that Must Remain Open, OFF-SEASON (September 15 through May 14)									
	Monday - Wednesday		Thursday		Friday		Saturday		Sunday	
	Northbound	Southbound	Northbound	Southbound	Northbound	Southbound	Northbound	Southbound	Northbound	Southbound
12 am-1 am	1	1	1	1	1	1	1	1	1	1
1 am-2 am	1	1	1	1	1	1	1	1	1	1
2 am-3 am	1	1	1	1	1	1	1	1	1	1
3 am-4 am	1	1	1	1	1	1	1	1	1	1
4 am-5 am	1	1	1	1	1	1	1	1	1	1
5 am-6 am	1	1	1	1	1	1	1	1	1	1
6 am-7 am	2	1	2	1	2	1	1	1	1	1
7 am-8 am	2	2	2	2	2	2	1	1	1	1
8 am-9 am	2	2	2	2	2	2	2	2	1	1
9 am-10 am	2	2	2	2	2	2	2	2	2	2
10 am-11 am	2	2	2	2	2	2	2	2	2	2
11 am-12 pm	2	2	2	2	2	2	2	2	2	2
12 pm-1 pm	2	2	2	2	2	2	2	2	2	2
1 pm-2 pm	2	2	2	2	2	2	2	2	2	2
2 pm-3 pm	2	2	2	2	2	2	2	2	2	2
3 pm-4 pm	2	2	2	2	2	3	2	2	2	2
4 pm-5 pm	2	2	2	2	2	3	2	2	2	2
5 pm-6 pm	2	2	2	2	2	3	2	2	2	2
6 pm-7 pm	1	2	2	2	2	2	2	2	2	2
7 pm-8 pm	1	1	1	2	2	2	2	2	2	2
8 pm-9 pm	1	1	1	2	2	2	1	2	2	2
9 pm-10 pm	1	1	1	1	2	2	1	1	2	2
10 pm-11 pm	1	1	1	1	1	2	1	1	1	1
11 pm-12 am	1	1	1	1	1	1	1	1	1	1

NEW JERSEY TURNPIKE MAINLINE
LANE CLOSURES: MP 44.2 TO 51.5*

of lanes: Northbound Southbound (Number of lanes may vary within section)
3 3

Maintain minimum number of lanes throughout work zone as shown below regardless of total number of lanes, excluding previously approved long-term work efforts.

Hour	Number of Lanes that Must Remain Open, SUMMER (May 15 through September 14)									
	Monday - Wednesday		Thursday		Friday		Saturday		Sunday	
	Northbound	Southbound	Northbound	Southbound	Northbound	Southbound	Northbound	Southbound	Northbound	Southbound
12 am-1 am	1	1	1	1	1	1	1	1	1	1
1 am-2 am	1	1	1	1	1	1	1	1	1	1
2 am-3 am	1	1	1	1	1	1	1	1	1	1
3 am-4 am	1	1	1	1	1	1	1	1	1	1
4 am-5 am	1	1	1	1	1	1	1	1	1	1
5 am-6 am	1	1	1	1	1	1	1	1	1	1
6 am-7 am	2	1	2	2	2	2	1	1	1	1
7 am-8 am	2	2	2	2	2	2	2	2	1	1
8 am-9 am	2	2	2	2	2	2	2	2	1	2
9 am-10 am	2	2	2	2	2	2	2	2	2	2
10 am-11 am	2	2	2	2	2	2	2	2	2	2
11 am-12 pm	2	2	2	2	2	3	2	2	2	2
12 pm-1 pm	2	2	2	2	2	3	2	2	3	3
1 pm-2 pm	2	2	2	2	2	3	2	2	3	3
2 pm-3 pm	2	2	2	2	3	3	2	2	3	3
3 pm-4 pm	2	2	2	2	3	3	2	2	3	3
4 pm-5 pm	2	2	2	3	3	3	2	2	3	3
5 pm-6 pm	2	2	2	3	2	3	2	2	3	3
6 pm-7 pm	2	2	2	2	2	3	2	2	3	2
7 pm-8 pm	1	2	2	2	2	2	2	2	2	2
8 pm-9 pm	1	1	2	2	2	2	2	2	2	2
9 pm-10 pm	1	1	1	2	2	2	2	2	2	2
10 pm-11 pm	1	1	1	1	2	2	2	1	2	2
11 pm-12 am	1	1	1	1	1	1	1	1	1	1

Hour	Number of Lanes that Must Remain Open, OFF-SEASON (September 15 through May 14)									
	Monday - Wednesday		Thursday		Friday		Saturday		Sunday	
	Northbound	Southbound	Northbound	Southbound	Northbound	Southbound	Northbound	Southbound	Northbound	Southbound
12 am-1 am	1	1	1	1	1	1	1	1	1	1
1 am-2 am	1	1	1	1	1	1	1	1	1	1
2 am-3 am	1	1	1	1	1	1	1	1	1	1
3 am-4 am	1	1	1	1	1	1	1	1	1	1
4 am-5 am	1	1	1	1	1	1	1	1	1	1
5 am-6 am	1	1	1	1	1	1	1	1	1	1
6 am-7 am	2	1	2	1	2	1	1	1	1	1
7 am-8 am	2	2	2	2	2	2	1	2	1	1
8 am-9 am	2	2	2	2	2	2	2	2	1	1
9 am-10 am	2	2	2	2	2	2	2	2	2	2
10 am-11 am	2	2	2	2	2	2	2	2	2	2
11 am-12 pm	2	2	2	2	2	2	2	2	2	2
12 pm-1 pm	2	2	2	2	2	2	2	2	2	2
1 pm-2 pm	2	2	2	2	2	2	2	2	2	2
2 pm-3 pm	2	2	2	2	2	3	2	2	2	2
3 pm-4 pm	2	2	2	2	2	3	2	2	3	2
4 pm-5 pm	2	2	2	2	2	3	2	2	3	2
5 pm-6 pm	2	2	2	2	2	3	2	2	2	2
6 pm-7 pm	2	2	2	2	2	2	2	2	2	2
7 pm-8 pm	1	2	1	2	2	2	2	2	2	2
8 pm-9 pm	1	1	1	2	2	2	2	2	2	2
9 pm-10 pm	1	1	1	1	2	2	1	1	2	2
10 pm-11 pm	1	1	1	1	2	2	1	1	2	1
11 pm-12 am	1	1	1	1	1	1	1	1	1	1

* Roadway between MP 51.5 to 52.0 not covered by Lane Closure Tables due to PHMTE merge/diverge. See Table 1 in the Introduction

**NEW JERSEY TURNPIKE MAINLINE
LANE CLOSURES: MP 52.0 TO 53.9***

# of lanes:	Northbound	Southbound	(Number of lanes may vary within section)
	3	3	

Maintain minimum number of lanes throughout work zone as shown below regardless of total number of lanes, excluding previously approved long-term work efforts.

Hour	Number of Lanes that Must Remain Open, SUMMER (May 15 through September 14)									
	Monday - Wednesday		Thursday		Friday		Saturday		Sunday	
	Northbound	Southbound	Northbound	Southbound	Northbound	Southbound	Northbound	Southbound	Northbound	Southbound
12 am-1 am	1	1	1	1	1	1	1	1	1	1
1 am-2 am	1	1	1	1	1	1	1	1	1	1
2 am-3 am	1	1	1	1	1	1	1	1	1	1
3 am-4 am	1	1	1	1	1	1	1	1	1	1
4 am-5 am	1	1	1	1	1	1	1	1	1	1
5 am-6 am	2	1	2	1	2	1	1	1	1	1
6 am-7 am	3	2	3	2	2	2	1	2	1	1
7 am-8 am	3	3	3	3	3	3	2	2	1	2
8 am-9 am	3	3	3	3	3	3	2	3	2	2
9 am-10 am	3	3	3	3	3	3	3	3	2	2
10 am-11 am	3	3	3	3	3	3	3	3	3	3
11 am-12 pm	3	3	3	3	3	3	3	3	3	3
12 pm-1 pm	3	3	3	3	3	3	3	3	3	3
1 pm-2 pm	3	3	3	3	3	3	3	3	3	3
2 pm-3 pm	3	3	3	3	3	3	3	3	3	3
3 pm-4 pm	3	3	3	3	3	3	3	3	3	3
4 pm-5 pm	3	3	3	3	3	3	3	3	3	3
5 pm-6 pm	2	3	3	3	3	3	3	3	3	3
6 pm-7 pm	2	2	2	3	3	3	3	3	3	3
7 pm-8 pm	2	2	2	2	3	3	2	2	3	3
8 pm-9 pm	2	2	2	2	3	3	2	2	3	3
9 pm-10 pm	2	2	2	2	2	3	2	2	3	3
10 pm-11 pm	2	2	2	2	2	2	2	2	2	2
11 pm-12 am	1	1	1	1	2	2	2	2	2	2

Hour	Number of Lanes that Must Remain Open, OFF-SEASON (September 15 through May 14)									
	Monday - Wednesday		Thursday		Friday		Saturday		Sunday	
	Northbound	Southbound	Northbound	Southbound	Northbound	Southbound	Northbound	Southbound	Northbound	Southbound
12 am-1 am	1	1	1	1	1	1	1	1	1	1
1 am-2 am	1	1	1	1	1	1	1	1	1	1
2 am-3 am	1	1	1	1	1	1	1	1	1	1
3 am-4 am	1	1	1	1	1	1	1	1	1	1
4 am-5 am	1	1	1	1	1	1	1	1	1	1
5 am-6 am	2	1	2	1	2	1	1	1	1	1
6 am-7 am	2	2	2	2	2	2	1	1	1	1
7 am-8 am	3	2	3	3	3	2	2	2	1	1
8 am-9 am	3	3	3	3	3	3	2	2	2	2
9 am-10 am	3	3	3	3	3	3	3	3	2	2
10 am-11 am	2	3	2	3	3	3	3	3	3	2
11 am-12 pm	2	3	2	3	3	3	3	3	3	3
12 pm-1 pm	2	3	2	3	3	3	3	3	3	3
1 pm-2 pm	2	3	2	3	3	3	3	3	3	3
2 pm-3 pm	3	3	3	3	3	3	3	3	3	3
3 pm-4 pm	3	3	3	3	3	3	3	3	3	3
4 pm-5 pm	2	3	3	3	3	3	3	3	3	3
5 pm-6 pm	2	3	3	3	3	3	3	3	3	3
6 pm-7 pm	2	2	2	3	3	3	2	2	3	3
7 pm-8 pm	2	2	2	2	2	3	2	2	3	3
8 pm-9 pm	2	2	2	2	2	2	2	2	3	3
9 pm-10 pm	1	2	2	2	2	2	2	2	2	2
10 pm-11 pm	1	1	2	2	2	2	2	2	2	2
11 pm-12 am	1	1	1	1	1	1	1	1	1	1

* Roadway between MP 51.5 to 52.0 not covered by Lane Closure Tables due to PHMTE merge/diverge. See Table 1 in the Introduction

NEW JERSEY TURNPIKE MAINLINE
LANE CLOSURES: MP 53.9 TO 60.5

of lanes: Northbound Southbound (Number of lanes may vary within section)
3 3

Maintain minimum number of lanes throughout work zone as shown below regardless of total number of lanes, excluding previously approved long-term work efforts.

Hour	Number of Lanes that Must Remain Open, SUMMER (May 15 through September 14)									
	Monday - Wednesday		Thursday		Friday		Saturday		Sunday	
	Northbound	Southbound	Northbound	Southbound	Northbound	Southbound	Northbound	Southbound	Northbound	Southbound
12 am-1 am	1	1	1	1	1	1	1	1	2	2
1 am-2 am	1	1	1	1	1	1	1	1	1	1
2 am-3 am	1	1	1	1	1	1	1	1	1	1
3 am-4 am	1	1	1	1	1	1	1	1	1	1
4 am-5 am	2	1	2	1	2	1	1	1	1	1
5 am-6 am	2	1	2	2	2	2	1	1	1	1
6 am-7 am	3	2	3	2	3	2	2	2	1	1
7 am-8 am	3	3	3	3	3	3	2	2	1	2
8 am-9 am	3	3	3	3	3	3	3	3	2	2
9 am-10 am	3	3	3	3	3	3	3	3	3	2
10 am-11 am	3	3	3	3	3	3	3	3	3	3
11 am-12 pm	3	3	3	3	3	3	3	3	3	3
12 pm-1 pm	3	3	3	3	3	3	3	3	3	3
1 pm-2 pm	3	3	3	3	3	3	3	3	3	3
2 pm-3 pm	3	3	3	3	3	3	3	3	3	3
3 pm-4 pm	3	3	3	3	3	3	3	3	3	3
4 pm-5 pm	3	3	3	3	3	3	3	3	3	3
5 pm-6 pm	3	3	3	3	3	3	3	3	3	3
6 pm-7 pm	2	3	3	3	3	3	3	3	3	3
7 pm-8 pm	2	2	2	3	3	3	3	2	3	3
8 pm-9 pm	2	2	2	2	3	3	2	2	3	3
9 pm-10 pm	2	2	2	2	2	3	2	2	3	3
10 pm-11 pm	2	2	2	2	2	2	2	2	2	2
11 pm-12 am	1	1	1	2	2	2	2	2	2	2

Hour	Number of Lanes that Must Remain Open, OFF-SEASON (September 15 through May 14)									
	Monday - Wednesday		Thursday		Friday		Saturday		Sunday	
	Northbound	Southbound	Northbound	Southbound	Northbound	Southbound	Northbound	Southbound	Northbound	Southbound
12 am-1 am	1	1	1	1	1	1	1	1	1	1
1 am-2 am	1	1	1	1	1	1	1	1	1	1
2 am-3 am	1	1	1	1	1	1	1	1	1	1
3 am-4 am	1	1	1	1	1	1	1	1	1	1
4 am-5 am	1	1	1	1	1	1	1	1	1	1
5 am-6 am	2	1	2	1	2	1	1	1	1	1
6 am-7 am	3	2	3	2	3	2	1	2	1	1
7 am-8 am	3	3	3	3	3	3	2	2	1	1
8 am-9 am	3	3	3	3	3	3	2	3	2	2
9 am-10 am	3	3	3	3	3	3	3	3	2	2
10 am-11 am	3	3	3	3	3	3	3	3	3	3
11 am-12 pm	3	3	3	3	3	3	3	3	3	3
12 pm-1 pm	3	3	3	3	3	3	3	3	3	3
1 pm-2 pm	3	3	3	3	3	3	3	3	3	3
2 pm-3 pm	3	3	3	3	3	3	3	3	3	3
3 pm-4 pm	3	3	3	3	3	3	3	3	3	3
4 pm-5 pm	3	3	3	3	3	3	3	3	3	3
5 pm-6 pm	3	3	3	3	3	3	3	3	3	3
6 pm-7 pm	2	3	2	3	3	3	3	3	3	3
7 pm-8 pm	2	2	2	2	3	3	2	2	3	3
8 pm-9 pm	2	2	2	2	2	3	2	2	3	3
9 pm-10 pm	2	2	2	2	2	2	2	2	2	2
10 pm-11 pm	1	2	2	2	2	2	2	2	2	2
11 pm-12 am	1	1	1	1	2	2	1	2	1	1

**NEW JERSEY TURNPIKE MAINLINE
LANE CLOSURES: MP 60.5 TO 67.6**

# of lanes:	Northbound	Southbound	(Number of lanes may vary within section)
	3	3	

Maintain minimum number of lanes throughout work zone as shown below regardless of total number of lanes, excluding previously approved long-term work efforts.

Hour	Number of Lanes that Must Remain Open, SUMMER (May 15 through September 14)									
	Monday - Wednesday		Thursday		Friday		Saturday		Sunday	
	Northbound	Southbound	Northbound	Southbound	Northbound	Southbound	Northbound	Southbound	Northbound	Southbound
12 am-1 am	1	1	1	1	1	1	1	2	2	2
1 am-2 am	1	1	1	1	1	1	1	1	1	1
2 am-3 am	1	1	1	1	1	1	1	1	1	1
3 am-4 am	1	1	1	1	1	1	1	1	1	1
4 am-5 am	2	1	2	1	2	1	1	1	1	1
5 am-6 am	2	2	2	2	2	2	1	1	1	1
6 am-7 am	3	2	3	2	3	2	2	2	1	1
7 am-8 am	3	3	3	3	3	3	2	3	1	2
8 am-9 am	3	3	3	3	3	3	3	3	2	2
9 am-10 am	3	3	3	3	3	3	3	3	3	3
10 am-11 am	3	3	3	3	3	3	3	3	3	3
11 am-12 pm	3	3	3	3	3	3	3	3	3	3
12 pm-1 pm	3	3	3	3	3	3	3	3	3	3
1 pm-2 pm	3	3	3	3	3	3	3	3	3	3
2 pm-3 pm	3	3	3	3	3	3	3	3	3	3
3 pm-4 pm	3	3	3	3	3	3	3	3	3	3
4 pm-5 pm	3	3	3	3	3	3	3	3	3	3
5 pm-6 pm	3	3	3	3	3	3	3	3	3	3
6 pm-7 pm	3	3	3	3	3	3	3	3	3	3
7 pm-8 pm	2	2	3	3	3	3	3	2	3	3
8 pm-9 pm	2	2	2	2	3	3	3	2	3	3
9 pm-10 pm	2	2	2	2	3	3	3	2	3	3
10 pm-11 pm	2	2	2	2	2	2	2	2	3	2
11 pm-12 am	2	2	2	2	2	2	2	2	2	2

Hour	Number of Lanes that Must Remain Open, OFF-SEASON (September 15 through May 14)									
	Monday - Wednesday		Thursday		Friday		Saturday		Sunday	
	Northbound	Southbound	Northbound	Southbound	Northbound	Southbound	Northbound	Southbound	Northbound	Southbound
12 am-1 am	1	1	1	1	1	1	1	1	1	1
1 am-2 am	1	1	1	1	1	1	1	1	1	1
2 am-3 am	1	1	1	1	1	1	1	1	1	1
3 am-4 am	1	1	1	1	1	1	1	1	1	1
4 am-5 am	2	1	2	1	2	1	1	1	1	1
5 am-6 am	2	1	2	2	2	2	1	1	1	1
6 am-7 am	3	2	3	2	3	2	1	2	1	1
7 am-8 am	3	3	3	3	3	3	2	2	1	2
8 am-9 am	3	3	3	3	3	3	2	3	2	2
9 am-10 am	3	3	3	3	3	3	3	3	2	2
10 am-11 am	3	3	3	3	3	3	3	3	3	3
11 am-12 pm	3	3	3	3	3	3	3	3	3	3
12 pm-1 pm	3	3	3	3	3	3	3	3	3	3
1 pm-2 pm	3	3	3	3	3	3	3	3	3	3
2 pm-3 pm	3	3	3	3	3	3	3	3	3	3
3 pm-4 pm	3	3	3	3	3	3	3	3	3	3
4 pm-5 pm	3	3	3	3	3	3	3	3	3	3
5 pm-6 pm	3	3	3	3	3	3	3	3	3	3
6 pm-7 pm	2	3	3	3	3	3	3	3	3	3
7 pm-8 pm	2	2	2	3	3	3	3	2	3	3
8 pm-9 pm	2	2	2	2	2	3	2	2	3	3
9 pm-10 pm	2	2	2	2	2	3	2	2	3	2
10 pm-11 pm	2	2	2	2	2	2	2	2	2	2
11 pm-12 am	1	1	1	2	2	2	2	2	2	1

**NEW JERSEY TURNPIKE MAINLINE
LANE CLOSURES: MP 67.6 TO 72.4***

# of lanes:	Northbound	Southbound	(Number of lanes may vary within section)
	3	3	

Maintain minimum number of lanes throughout work zone as shown below regardless of total number of lanes, excluding previously approved long-term work efforts.

Hour	Number of Lanes that Must Remain Open, SUMMER (May 15 through September 14)									
	Monday - Wednesday		Thursday		Friday		Saturday		Sunday	
	Northbound	Southbound	Northbound	Southbound	Northbound	Southbound	Northbound	Southbound	Northbound	Southbound
12 am-1 am	1	1	1	1	1	1	1	2	2	2
1 am-2 am	1	1	1	1	1	1	1	1	1	1
2 am-3 am	1	1	1	1	1	1	1	1	1	1
3 am-4 am	1	1	1	1	1	1	1	1	1	1
4 am-5 am	2	1	2	1	2	1	1	1	1	1
5 am-6 am	2	2	2	2	2	2	1	1	1	1
6 am-7 am	3	2	3	3	3	3	2	2	1	1
7 am-8 am	3	3	3	3	3	3	2	3	1	2
8 am-9 am	3	3	3	3	3	3	3	3	2	2
9 am-10 am	3	3	3	3	3	3	3	3	3	3
10 am-11 am	3	3	3	3	3	3	3	3	3	3
11 am-12 pm	3	3	3	3	3	3	3	3	3	3
12 pm-1 pm	3	3	3	3	3	3	3	3	3	3
1 pm-2 pm	3	3	3	3	3	3	3	3	3	3
2 pm-3 pm	3	3	3	3	3	3	3	3	3	3
3 pm-4 pm	3	3	3	3	3	3	3	3	3	3
4 pm-5 pm	3	3	3	3	3	3	3	3	3	3
5 pm-6 pm	3	3	3	3	3	3	3	3	3	3
6 pm-7 pm	3	3	3	3	3	3	3	3	3	3
7 pm-8 pm	2	3	3	3	3	3	3	3	3	3
8 pm-9 pm	2	2	2	3	3	3	3	2	3	3
9 pm-10 pm	2	2	2	2	3	3	3	2	3	3
10 pm-11 pm	2	2	2	2	3	2	3	2	3	2
11 pm-12 am	2	2	2	2	2	2	2	2	2	2

Hour	Number of Lanes that Must Remain Open, OFF-SEASON (September 15 through May 14)									
	Monday - Wednesday		Thursday		Friday		Saturday		Sunday	
	Northbound	Southbound	Northbound	Southbound	Northbound	Southbound	Northbound	Southbound	Northbound	Southbound
12 am-1 am	1	1	1	1	1	1	1	1	2	1
1 am-2 am	1	1	1	1	1	1	1	1	1	1
2 am-3 am	1	1	1	1	1	1	1	1	1	1
3 am-4 am	1	1	1	1	1	1	1	1	1	1
4 am-5 am	2	1	2	1	2	1	1	1	1	1
5 am-6 am	2	1	2	2	2	2	1	1	1	1
6 am-7 am	3	2	3	2	3	2	1	2	1	1
7 am-8 am	3	3	3	3	3	3	2	2	1	2
8 am-9 am	3	3	3	3	3	3	2	3	2	2
9 am-10 am	3	3	3	3	3	3	3	3	2	2
10 am-11 am	3	3	3	3	3	3	3	3	3	3
11 am-12 pm	3	3	3	3	3	3	3	3	3	3
12 pm-1 pm	3	3	3	3	3	3	3	3	3	3
1 pm-2 pm	3	3	3	3	3	3	3	3	3	3
2 pm-3 pm	3	3	3	3	3	3	3	3	3	3
3 pm-4 pm	3	3	3	3	3	3	3	3	3	3
4 pm-5 pm	3	3	3	3	3	3	3	3	3	3
5 pm-6 pm	3	3	3	3	3	3	3	3	3	3
6 pm-7 pm	3	3	3	3	3	3	3	3	3	3
7 pm-8 pm	2	2	2	3	3	3	3	2	3	3
8 pm-9 pm	2	2	2	2	3	3	2	2	3	3
9 pm-10 pm	2	2	2	2	2	3	2	2	3	2
10 pm-11 pm	2	2	2	2	2	2	2	2	2	2
11 pm-12 am	1	1	1	2	2	2	2	2	2	1

* Roadway between MP 72.4 to 74.0 not covered by Lane Closure Tables due to S. Mixing Bowl and Int. 8A ramps. See Table 1 in the Introduction

**NEW JERSEY TURNPIKE PEARL HARBOR MEMORIAL TURNPIKE EXT.
LANE CLOSURES: (PE) MP 0.0 TO 2.6 EB/2.3 WB**

of lanes: Eastbound Westbound (Number of lanes may vary within section)
2* 2*

Maintain minimum number of lanes throughout work zone as shown below regardless of total number of lanes, excluding previously approved long-term work efforts.* **

Hour	Number of Lanes that Must Remain Open**, SUMMER (May 15 through September 14)									
	Monday - Wednesday		Thursday		Friday		Saturday		Sunday	
	Eastbound	Westbound	Eastbound	Westbound	Eastbound	Westbound	Eastbound	Westbound	Eastbound	Westbound
12 am-1 am	1	1	1	1	1	1	1	1	1	1
1 am-2 am	1	1	1	1	1	1	1	1	1	1
2 am-3 am	1	1	1	1	1	1	1	1	1	1
3 am-4 am	1	1	1	1	1	1	1	1	1	1
4 am-5 am	1	1	1	1	1	1	1	1	1	1
5 am-6 am	1	1	1	1	1	1	1	1	1	1
6 am-7 am	2	1	2	1	1	1	1	1	1	1
7 am-8 am	2	2	2	2	2	2	1	1	1	1
8 am-9 am	2	2	2	2	2	2	1	1	1	1
9 am-10 am	2	1	2	2	2	2	1	1	1	1
10 am-11 am	2	1	2	2	2	2	2	1	1	1
11 am-12 pm	1	1	2	2	2	2	2	2	2	1
12 pm-1 pm	1	2	2	2	2	2	1	2	2	2
1 pm-2 pm	1	2	2	2	2	2	1	2	1	2
2 pm-3 pm	1	2	2	2	2	2	1	1	1	2
3 pm-4 pm	1	2	2	2	2	2	1	1	1	2
4 pm-5 pm	1	2	2	2	2	2	1	1	1	2
5 pm-6 pm	1	2	2	2	2	2	1	1	1	2
6 pm-7 pm	1	1	1	2	2	2	1	1	1	2
7 pm-8 pm	1	1	1	1	1	1	1	1	1	2
8 pm-9 pm	1	1	1	1	1	1	1	1	1	2
9 pm-10 pm	1	1	1	1	1	1	1	1	1	1
10 pm-11 pm	1	1	1	1	1	1	1	1	1	1
11 pm-12 am	1	1	1	1	1	1	1	1	1	1

Hour	Number of Lanes that Must Remain Open**, OFF-SEASON (September 15 through May 14)									
	Monday - Wednesday		Thursday		Friday		Saturday		Sunday	
	Eastbound	Westbound	Eastbound	Westbound	Eastbound	Westbound	Eastbound	Westbound	Eastbound	Westbound
12 am-1 am	1	1	1	1	1	1	1	1	1	1
1 am-2 am	1	1	1	1	1	1	1	1	1	1
2 am-3 am	1	1	1	1	1	1	1	1	1	1
3 am-4 am	1	1	1	1	1	1	1	1	1	1
4 am-5 am	1	1	1	1	1	1	1	1	1	1
5 am-6 am	1	1	1	1	1	1	1	1	1	1
6 am-7 am	2	1	1	1	1	1	1	1	1	1
7 am-8 am	2	2	2	2	2	2	1	1	1	1
8 am-9 am	2	2	2	2	2	2	1	1	1	1
9 am-10 am	2	1	2	2	1	2	1	1	1	1
10 am-11 am	1	1	1	2	1	2	1	1	1	1
11 am-12 pm	1	1	1	2	1	2	1	2	1	1
12 pm-1 pm	1	1	1	2	1	2	1	2	1	1
1 pm-2 pm	1	1	1	2	2	2	1	1	1	1
2 pm-3 pm	1	2	1	2	2	2	1	1	1	1
3 pm-4 pm	1	2	2	2	2	2	1	1	1	1
4 pm-5 pm	1	2	2	2	2	2	1	1	1	1
5 pm-6 pm	1	2	2	2	2	2	1	1	1	1
6 pm-7 pm	1	1	1	1	2	2	1	1	1	1
7 pm-8 pm	1	1	1	1	1	1	1	1	1	1
8 pm-9 pm	1	1	1	1	1	1	1	1	1	1
9 pm-10 pm	1	1	1	1	1	1	1	1	1	1
10 pm-11 pm	1	1	1	1	1	1	1	1	1	1
11 pm-12 am	1	1	1	1	1	1	1	1	1	1

* 3 lanes each way between Delaware River Bridge approach and Interchange 6A (US Route 130)

** Coordination with Pennsylvania Turnpike Commission may be required depending on work area type and location.

**NEW JERSEY TURNPIKE PEARL HARBOR MEMORIAL TURNPIKE EXT.
LANE CLOSURES: (PE) MP 2.6 EB/2.3 WB TO 6.1**

of lanes: Eastbound Westbound (Number of lanes may vary within section)
3 3

Maintain minimum number of lanes throughout work zone as shown below regardless of total number of lanes, excluding previously approved long-term work efforts.

Hour	Number of Lanes that Must Remain Open, SUMMER (May 15 through September 14)									
	Monday - Wednesday		Thursday		Friday		Saturday		Sunday	
	Eastbound	Westbound	Eastbound	Westbound	Eastbound	Westbound	Eastbound	Westbound	Eastbound	Westbound
12 am-1 am	1	1	1	1	1	1	1	1	1	1
1 am-2 am	1	1	1	1	1	1	1	1	1	1
2 am-3 am	1	1	1	1	1	1	1	1	1	1
3 am-4 am	1	1	1	1	1	1	1	1	1	1
4 am-5 am	1	1	1	1	1	1	1	1	1	1
5 am-6 am	1	1	1	1	1	1	1	1	1	1
6 am-7 am	1	1	1	1	1	1	1	1	1	1
7 am-8 am	2	1	2	1	1	1	1	1	1	1
8 am-9 am	2	1	2	1	1	1	1	1	1	1
9 am-10 am	1	1	1	1	1	1	1	1	1	1
10 am-11 am	1	1	1	1	1	1	2	1	1	1
11 am-12 pm	1	1	1	1	1	1	2	1	1	1
12 pm-1 pm	1	1	1	1	1	1	1	1	1	1
1 pm-2 pm	1	1	1	1	1	1	1	1	1	1
2 pm-3 pm	1	1	1	1	2	2	1	1	1	1
3 pm-4 pm	1	1	1	2	2	2	1	1	1	1
4 pm-5 pm	1	2	1	2	2	2	1	1	1	1
5 pm-6 pm	1	2	1	2	2	2	1	1	1	2
6 pm-7 pm	1	1	1	1	2	1	1	1	1	2
7 pm-8 pm	1	1	1	1	1	1	1	1	1	1
8 pm-9 pm	1	1	1	1	1	1	1	1	1	1
9 pm-10 pm	1	1	1	1	1	1	1	1	1	1
10 pm-11 pm	1	1	1	1	1	1	1	1	1	1
11 pm-12 am	1	1	1	1	1	1	1	1	1	1

Hour	Number of Lanes that Must Remain Open, OFF-SEASON (September 15 through May 14)									
	Monday - Wednesday		Thursday		Friday		Saturday		Sunday	
	Eastbound	Westbound	Eastbound	Westbound	Eastbound	Westbound	Eastbound	Westbound	Eastbound	Westbound
12 am-1 am	1	1	1	1	1	1	1	1	1	1
1 am-2 am	1	1	1	1	1	1	1	1	1	1
2 am-3 am	1	1	1	1	1	1	1	1	1	1
3 am-4 am	1	1	1	1	1	1	1	1	1	1
4 am-5 am	1	1	1	1	1	1	1	1	1	1
5 am-6 am	1	1	1	1	1	1	1	1	1	1
6 am-7 am	1	1	1	1	1	1	1	1	1	1
7 am-8 am	2	1	2	1	1	1	1	1	1	1
8 am-9 am	2	1	2	1	1	1	1	1	1	1
9 am-10 am	1	1	1	1	1	1	1	1	1	1
10 am-11 am	1	1	1	1	1	1	1	1	1	1
11 am-12 pm	1	1	1	1	1	1	1	1	1	1
12 pm-1 pm	1	1	1	1	1	1	1	1	1	1
1 pm-2 pm	1	1	1	1	1	1	1	1	1	1
2 pm-3 pm	1	1	1	1	1	2	1	1	1	1
3 pm-4 pm	1	1	1	2	1	2	1	1	1	1
4 pm-5 pm	1	1	1	2	1	2	1	1	1	1
5 pm-6 pm	1	1	1	2	1	2	1	1	1	1
6 pm-7 pm	1	1	1	1	1	1	1	1	1	1
7 pm-8 pm	1	1	1	1	1	1	1	1	1	1
8 pm-9 pm	1	1	1	1	1	1	1	1	1	1
9 pm-10 pm	1	1	1	1	1	1	1	1	1	1
10 pm-11 pm	1	1	1	1	1	1	1	1	1	1
11 pm-12 am	1	1	1	1	1	1	1	1	1	1

NEW JERSEY TURNPIKE INNER ROADWAY
LANE CLOSURES: MP 74.0 TO 83.4 NB/83.8 SB*

# of lanes:	Northbound	Southbound	(Number of lanes may vary within section)
	3	3	

Maintain minimum number of lanes throughout work zone as shown below regardless of total number of lanes, excluding previously approved long-term work efforts.

Hour	Number of Lanes that Must Remain Open, SUMMER (May 15 through September 14)									
	Monday - Wednesday		Thursday		Friday		Saturday		Sunday	
	Northbound	Southbound	Northbound	Southbound	Northbound	Southbound	Northbound	Southbound	Northbound	Southbound
12 am-1 am	1	1	1	1	1	1	1	1	1	1
1 am-2 am	1	1	1	1	1	1	1	1	1	1
2 am-3 am	1	1	1	1	1	1	1	1	1	1
3 am-4 am	1	1	1	1	1	1	1	1	1	1
4 am-5 am	1	1	1	1	1	1	1	1	1	1
5 am-6 am	1	1	1	1	1	1	1	1	1	1
6 am-7 am	2	2	2	2	2	2	1	1	1	1
7 am-8 am	2	2	3	2	2	2	1	2	1	1
8 am-9 am	2	2	3	2	2	2	2	2	1	1
9 am-10 am	2	2	2	2	2	2	2	2	2	2
10 am-11 am	2	2	2	2	2	2	2	2	2	2
11 am-12 pm	2	2	2	2	2	2	2	2	2	2
12 pm-1 pm	2	2	2	2	2	2	2	2	2	2
1 pm-2 pm	2	2	2	2	2	2	2	2	2	2
2 pm-3 pm	2	2	2	2	2	2	2	2	2	2
3 pm-4 pm	2	2	2	2	2	3	2	2	2	2
4 pm-5 pm	2	2	2	3	2	3	2	2	2	2
5 pm-6 pm	2	2	2	3	2	3	2	2	2	2
6 pm-7 pm	2	2	2	2	2	2	2	2	2	2
7 pm-8 pm	1	2	2	2	2	2	2	2	2	2
8 pm-9 pm	1	1	1	2	2	2	2	2	2	2
9 pm-10 pm	1	1	1	1	2	2	2	1	2	2
10 pm-11 pm	1	1	1	1	1	1	2	1	2	1
11 pm-12 am	1	1	1	1	1	1	1	1	1	1

Hour	Number of Lanes that Must Remain Open, OFF-SEASON (September 15 through May 14)									
	Monday - Wednesday		Thursday		Friday		Saturday		Sunday	
	Northbound	Southbound	Northbound	Southbound	Northbound	Southbound	Northbound	Southbound	Northbound	Southbound
12 am-1 am	1	1	1	1	1	1	1	1	1	1
1 am-2 am	1	1	1	1	1	1	1	1	1	1
2 am-3 am	1	1	1	1	1	1	1	1	1	1
3 am-4 am	1	1	1	1	1	1	1	1	1	1
4 am-5 am	1	1	1	1	1	1	1	1	1	1
5 am-6 am	1	1	1	1	1	1	1	1	1	1
6 am-7 am	2	2	2	2	2	2	1	1	1	1
7 am-8 am	3	2	3	2	2	2	1	1	1	1
8 am-9 am	3	2	3	2	2	2	2	2	1	1
9 am-10 am	2	2	2	2	2	2	2	2	1	1
10 am-11 am	2	2	2	2	2	2	2	2	2	2
11 am-12 pm	2	2	2	2	2	2	2	2	2	2
12 pm-1 pm	2	2	2	2	2	2	2	2	2	2
1 pm-2 pm	2	2	2	2	2	2	2	2	2	2
2 pm-3 pm	2	2	2	2	2	2	2	2	2	2
3 pm-4 pm	2	2	2	2	2	2	2	2	2	2
4 pm-5 pm	2	2	2	2	2	3	2	2	2	2
5 pm-6 pm	2	2	2	2	2	3	2	2	2	2
6 pm-7 pm	2	2	2	2	2	2	2	2	2	2
7 pm-8 pm	1	2	1	2	2	2	2	2	2	2
8 pm-9 pm	1	1	1	2	2	2	1	1	2	2
9 pm-10 pm	1	1	1	1	1	2	1	1	2	2
10 pm-11 pm	1	1	1	1	1	1	1	1	1	1
11 pm-12 am	1	1	1	1	1	1	1	1	1	1

* Roadway between MP 72.4 to 74.0 not covered by Lane Closure Tables due to S. Mixing Bowl and Int. 8A ramps. See Table 1 in the Introduction

NEW JERSEY TURNPIKE INNER ROADWAY
LANE CLOSURES: MP 83.4 NB/83.8 SB TO 88.0

	# of lanes: <u>Northbound</u> <u>Southbound</u> (Number of lanes may vary within section) 3 3
Maintain minimum number of lanes throughout work zone as shown below regardless of total number of lanes, excluding previously approved long-term work efforts.	

Hour	Number of Lanes that Must Remain Open, SUMMER (May 15 through September 14)									
	Monday - Wednesday		Thursday		Friday		Saturday		Sunday	
	Northbound	Southbound	Northbound	Southbound	Northbound	Southbound	Northbound	Southbound	Northbound	Southbound
12 am-1 am	1	1	1	1	1	1	1	1	1	1
1 am-2 am	1	1	1	1	1	1	1	1	1	1
2 am-3 am	1	1	1	1	1	1	1	1	1	1
3 am-4 am	1	1	1	1	1	1	1	1	1	1
4 am-5 am	1	1	1	1	1	1	1	1	1	1
5 am-6 am	2	1	2	1	1	1	1	1	1	1
6 am-7 am	2	2	3	2	2	2	1	2	1	1
7 am-8 am	3	3	3	3	3	3	1	2	1	1
8 am-9 am	3	3	3	3	3	3	2	2	1	2
9 am-10 am	2	2	3	2	2	3	2	3	2	2
10 am-11 am	2	2	2	2	2	3	2	3	2	2
11 am-12 pm	2	2	2	2	2	3	3	3	3	3
12 pm-1 pm	2	2	2	2	2	3	3	3	3	3
1 pm-2 pm	2	2	2	2	2	3	3	3	3	3
2 pm-3 pm	2	2	2	3	3	3	3	3	3	3
3 pm-4 pm	2	3	3	3	3	3	3	2	3	3
4 pm-5 pm	3	3	3	3	3	3	3	2	3	3
5 pm-6 pm	3	3	3	3	3	3	2	2	3	3
6 pm-7 pm	2	3	2	3	3	3	2	2	3	2
7 pm-8 pm	2	2	2	2	2	3	2	2	3	2
8 pm-9 pm	1	2	2	2	2	2	2	2	2	2
9 pm-10 pm	1	2	2	2	2	2	2	2	2	2
10 pm-11 pm	1	1	1	2	2	2	2	2	2	2
11 pm-12 am	1	1	1	1	1	1	2	2	1	1

Hour	Number of Lanes that Must Remain Open, OFF-SEASON (September 15 through May 14)									
	Monday - Wednesday		Thursday		Friday		Saturday		Sunday	
	Northbound	Southbound	Northbound	Southbound	Northbound	Southbound	Northbound	Southbound	Northbound	Southbound
12 am-1 am	1	1	1	1	1	1	1	1	1	1
1 am-2 am	1	1	1	1	1	1	1	1	1	1
2 am-3 am	1	1	1	1	1	1	1	1	1	1
3 am-4 am	1	1	1	1	1	1	1	1	1	1
4 am-5 am	1	1	1	1	1	1	1	1	1	1
5 am-6 am	1	1	1	1	1	1	1	1	1	1
6 am-7 am	2	2	2	2	2	2	1	1	1	1
7 am-8 am	3	3	3	3	3	3	1	2	1	1
8 am-9 am	3	3	3	3	3	3	2	2	1	1
9 am-10 am	2	2	3	2	2	2	2	2	2	2
10 am-11 am	2	2	2	2	2	2	2	2	2	2
11 am-12 pm	2	2	2	2	2	2	2	2	2	2
12 pm-1 pm	2	2	2	2	2	2	2	2	2	2
1 pm-2 pm	2	2	2	2	2	3	2	2	3	2
2 pm-3 pm	2	2	2	3	3	3	2	2	3	3
3 pm-4 pm	2	3	2	3	3	3	3	2	3	3
4 pm-5 pm	2	3	3	3	3	3	3	2	3	3
5 pm-6 pm	2	3	3	3	3	3	2	2	3	3
6 pm-7 pm	2	3	2	3	2	3	2	2	2	2
7 pm-8 pm	2	2	2	2	2	2	2	2	2	2
8 pm-9 pm	1	2	2	2	2	2	2	2	2	2
9 pm-10 pm	1	2	1	2	2	2	2	2	2	2
10 pm-11 pm	1	1	1	2	2	2	2	2	2	1
11 pm-12 am	1	1	1	1	1	1	1	1	1	1

**NEW JERSEY TURNPIKE INNER ROADWAY
LANE CLOSURES: MP 88.0 TO 91.6**

of lanes: Northbound Southbound (Number of lanes may vary within section)
3 3

Maintain minimum number of lanes throughout work zone as shown below regardless of total number of lanes, excluding previously approved long-term work efforts.

Hour	Number of Lanes that Must Remain Open, SUMMER (May 15 through September 14)									
	Monday - Wednesday		Thursday		Friday		Saturday		Sunday	
	Northbound	Southbound	Northbound	Southbound	Northbound	Southbound	Northbound	Southbound	Northbound	Southbound
12 am-1 am	1	1	1	1	1	1	1	1	1	1
1 am-2 am	1	1	1	1	1	1	1	1	1	1
2 am-3 am	1	1	1	1	1	1	1	1	1	1
3 am-4 am	1	1	1	1	1	1	1	1	1	1
4 am-5 am	1	1	1	1	1	1	1	1	1	1
5 am-6 am	1	1	1	1	1	1	1	1	1	1
6 am-7 am	2	2	2	2	2	2	1	1	1	1
7 am-8 am	3	2	3	3	3	3	1	2	1	1
8 am-9 am	3	2	3	3	3	3	2	2	1	2
9 am-10 am	2	2	2	2	2	2	2	2	2	2
10 am-11 am	2	2	2	2	2	2	2	2	2	2
11 am-12 pm	2	2	2	2	2	2	2	2	2	2
12 pm-1 pm	2	2	2	2	2	2	2	2	2	2
1 pm-2 pm	2	2	2	2	2	3	2	2	2	2
2 pm-3 pm	2	2	2	2	2	3	2	2	2	2
3 pm-4 pm	2	3	3	3	3	3	2	2	3	2
4 pm-5 pm	2	3	3	3	3	3	2	2	3	2
5 pm-6 pm	2	3	3	3	3	3	2	2	3	2
6 pm-7 pm	2	3	2	3	2	3	2	2	2	2
7 pm-8 pm	2	2	2	2	2	2	2	2	2	2
8 pm-9 pm	1	2	2	2	2	2	2	2	2	2
9 pm-10 pm	1	1	1	2	2	2	2	2	2	2
10 pm-11 pm	1	1	1	2	2	2	2	2	2	2
11 pm-12 am	1	1	1	1	1	1	1	1	1	1

Hour	Number of Lanes that Must Remain Open, OFF-SEASON (September 15 through May 14)									
	Monday - Wednesday		Thursday		Friday		Saturday		Sunday	
	Northbound	Southbound	Northbound	Southbound	Northbound	Southbound	Northbound	Southbound	Northbound	Southbound
12 am-1 am	1	1	1	1	1	1	1	1	1	1
1 am-2 am	1	1	1	1	1	1	1	1	1	1
2 am-3 am	1	1	1	1	1	1	1	1	1	1
3 am-4 am	1	1	1	1	1	1	1	1	1	1
4 am-5 am	1	1	1	1	1	1	1	1	1	1
5 am-6 am	1	1	1	1	1	1	1	1	1	1
6 am-7 am	2	2	2	2	2	2	1	1	1	1
7 am-8 am	3	3	3	3	3	2	1	2	1	1
8 am-9 am	3	3	3	3	3	2	2	2	1	1
9 am-10 am	2	2	2	2	2	2	2	2	2	2
10 am-11 am	2	2	2	2	2	2	2	2	2	2
11 am-12 pm	2	2	2	2	2	2	2	2	2	2
12 pm-1 pm	2	2	2	2	2	2	2	2	2	2
1 pm-2 pm	2	2	2	2	2	2	2	2	2	2
2 pm-3 pm	2	2	2	2	2	3	2	2	2	2
3 pm-4 pm	2	3	2	3	3	3	2	2	2	2
4 pm-5 pm	2	3	3	3	3	3	2	2	2	2
5 pm-6 pm	2	3	3	3	3	3	2	2	2	2
6 pm-7 pm	2	3	2	3	2	3	2	2	2	2
7 pm-8 pm	2	2	2	2	2	2	2	2	2	2
8 pm-9 pm	1	2	1	2	2	2	2	2	2	2
9 pm-10 pm	1	1	1	2	2	2	2	2	2	2
10 pm-11 pm	1	1	1	1	1	2	1	2	1	1
11 pm-12 am	1	1	1	1	1	1	1	1	1	1

**NEW JERSEY TURNPIKE INNER ROADWAY
LANE CLOSURES: MP 91.6 TO 96.1**

of lanes: Northbound Southbound
3 3 (Number of lanes may vary within section)

Maintain minimum number of lanes throughout work zone as shown below regardless of total number of lanes, excluding previously approved long-term work efforts.

Hour	Number of Lanes that Must Remain Open, SUMMER (May 15 through September 14)									
	Monday - Wednesday		Thursday		Friday		Saturday		Sunday	
	Northbound	Southbound	Northbound	Southbound	Northbound	Southbound	Northbound	Southbound	Northbound	Southbound
12 am-1 am	1	1	1	1	1	1	1	1	1	2
1 am-2 am	1	1	1	1	1	1	1	1	1	1
2 am-3 am	1	1	1	1	1	1	1	1	1	1
3 am-4 am	1	1	1	1	1	1	1	1	1	1
4 am-5 am	1	1	1	1	1	1	1	1	1	1
5 am-6 am	2	1	2	1	2	1	1	1	1	1
6 am-7 am	3	2	3	2	3	2	1	2	1	1
7 am-8 am	3	3	3	3	3	3	2	2	1	1
8 am-9 am	3	3	3	3	3	3	2	2	1	2
9 am-10 am	3	2	3	2	3	3	2	3	2	2
10 am-11 am	2	2	3	2	2	3	2	3	2	2
11 am-12 pm	2	2	2	2	2	3	3	3	3	3
12 pm-1 pm	2	2	2	2	2	3	3	3	3	3
1 pm-2 pm	2	2	2	3	2	3	3	3	3	3
2 pm-3 pm	2	3	2	3	3	3	3	3	3	3
3 pm-4 pm	3	3	3	3	3	3	3	3	3	3
4 pm-5 pm	3	3	3	3	3	3	3	3	3	3
5 pm-6 pm	3	3	3	3	3	3	3	3	3	3
6 pm-7 pm	2	3	3	3	3	3	3	2	3	3
7 pm-8 pm	2	2	2	3	2	3	2	2	3	2
8 pm-9 pm	2	2	2	2	2	3	2	2	3	2
9 pm-10 pm	1	2	2	2	2	2	2	2	3	2
10 pm-11 pm	1	2	1	2	2	2	2	2	2	2
11 pm-12 am	1	1	1	2	1	2	2	2	2	1

Hour	Number of Lanes that Must Remain Open, SPRING/FALL (March 1 through May 14, September 15 through December 14)									
	Monday - Wednesday		Thursday		Friday		Saturday		Sunday	
	Northbound	Southbound	Northbound	Southbound	Northbound	Southbound	Northbound	Southbound	Northbound	Southbound
12 am-1 am	1	1	1	1	1	1	1	1	1	1
1 am-2 am	1	1	1	1	1	1	1	1	1	1
2 am-3 am	1	1	1	1	1	1	1	1	1	1
3 am-4 am	1	1	1	1	1	1	1	1	1	1
4 am-5 am	1	1	1	1	1	1	1	1	1	1
5 am-6 am	2	1	2	1	2	1	1	1	1	1
6 am-7 am	3	2	3	2	3	2	1	1	1	1
7 am-8 am	3	3	3	3	3	2	2	2	1	1
8 am-9 am	3	3	3	3	3	2	2	2	1	1
9 am-10 am	3	2	3	2	3	2	2	2	2	2
10 am-11 am	2	2	2	2	2	2	2	2	2	2
11 am-12 pm	2	2	2	2	2	2	3	3	3	2
12 pm-1 pm	2	2	2	2	2	3	3	3	3	2
1 pm-2 pm	2	2	2	3	2	3	3	3	3	3
2 pm-3 pm	2	3	2	3	2	3	3	3	3	3
3 pm-4 pm	2	3	3	3	3	3	3	3	3	3
4 pm-5 pm	3	3	3	3	3	3	3	3	3	3
5 pm-6 pm	3	3	3	3	3	3	3	3	3	3
6 pm-7 pm	2	3	2	3	2	3	3	2	3	3
7 pm-8 pm	2	3	2	3	2	3	2	2	2	2
8 pm-9 pm	1	2	2	2	2	2	2	2	2	2
9 pm-10 pm	1	2	1	2	2	2	2	2	2	2
10 pm-11 pm	1	2	1	2	2	2	2	2	2	2
11 pm-12 am	1	1	1	2	1	2	1	2	1	1

Hour	Number of Lanes that Must Remain Open, WINTER (December 15 through February 28/29)									
	Monday - Wednesday		Thursday		Friday		Saturday		Sunday	
	Northbound	Southbound	Northbound	Southbound	Northbound	Southbound	Northbound	Southbound	Northbound	Southbound
12 am-1 am	1	1	1	1	1	1	1	1	1	1
1 am-2 am	1	1	1	1	1	1	1	1	1	1
2 am-3 am	1	1	1	1	1	1	1	1	1	1
3 am-4 am	1	1	1	1	1	1	1	1	1	1
4 am-5 am	1	1	1	1	1	1	1	1	1	1
5 am-6 am	2	1	2	1	2	1	1	1	1	1
6 am-7 am	3	2	3	2	3	2	1	1	1	1
7 am-8 am	3	2	3	3	3	2	2	2	1	1
8 am-9 am	3	2	3	3	3	2	2	2	1	1
9 am-10 am	3	2	3	2	3	2	2	2	2	1
10 am-11 am	2	2	2	2	2	2	2	2	2	2
11 am-12 pm	2	2	2	2	2	2	3	2	2	2
12 pm-1 pm	2	2	2	2	2	2	3	2	2	2
1 pm-2 pm	2	2	2	2	2	3	2	2	3	2
2 pm-3 pm	2	3	2	3	2	3	2	3	3	2
3 pm-4 pm	2	3	2	3	3	3	2	3	3	2
4 pm-5 pm	2	3	3	3	3	3	2	3	3	3
5 pm-6 pm	2	3	3	3	3	3	2	3	2	3
6 pm-7 pm	2	3	2	3	2	3	2	2	2	2
7 pm-8 pm	2	2	2	3	2	3	2	2	2	2
8 pm-9 pm	1	2	1	2	2	2	2	2	2	2
9 pm-10 pm	1	2	1	2	2	2	2	2	2	2
10 pm-11 pm	1	2	1	2	1	2	1	2	1	2
11 pm-12 am	1	1	1	1	1	2	1	2	1	1

**NEW JERSEY TURNPIKE INNER ROADWAY
LANE CLOSURES: MP 96.1 TO 99.9**

of lanes: Northbound Southbound
3 3 (Number of lanes may vary within section)

Maintain minimum number of lanes throughout work zone as shown below regardless of total number of lanes, excluding previously approved long-term work efforts.

Hour	Number of Lanes that Must Remain Open, SUMMER (May 15 through September 14)									
	Monday - Wednesday		Thursday		Friday		Saturday		Sunday	
	Northbound	Southbound	Northbound	Southbound	Northbound	Southbound	Northbound	Southbound	Northbound	Southbound
12 am-1 am	1	1	1	1	1	1	1	2	1	2
1 am-2 am	1	1	1	1	1	1	1	1	1	1
2 am-3 am	1	1	1	1	1	1	1	1	1	1
3 am-4 am	1	1	1	1	1	1	1	1	1	1
4 am-5 am	1	1	1	1	1	1	1	1	1	1
5 am-6 am	2	1	2	1	2	1	1	1	1	1
6 am-7 am	3	2	3	2	3	2	2	2	1	1
7 am-8 am	3	3	3	3	3	3	2	2	1	1
8 am-9 am	3	3	3	3	3	3	2	2	1	2
9 am-10 am	3	2	3	3	3	3	2	3	2	2
10 am-11 am	3	2	3	3	2	3	2	3	2	2
11 am-12 pm	2	2	2	3	2	3	3	3	3	3
12 pm-1 pm	2	2	2	3	2	3	3	3	3	3
1 pm-2 pm	2	3	2	3	2	3	3	3	3	3
2 pm-3 pm	2	3	3	3	3	3	3	3	3	3
3 pm-4 pm	3	3	3	3	3	3	3	3	3	3
4 pm-5 pm	3	3	3	3	3	3	3	3	3	3
5 pm-6 pm	3	3	3	3	3	3	3	3	3	3
6 pm-7 pm	2	3	3	3	3	3	3	3	3	3
7 pm-8 pm	2	3	2	3	2	3	2	2	3	3
8 pm-9 pm	2	2	2	2	2	3	2	2	3	2
9 pm-10 pm	1	2	2	2	2	2	2	2	3	2
10 pm-11 pm	1	2	2	2	2	2	2	2	2	2
11 pm-12 am	1	2	1	2	1	2	2	2	2	2

Hour	Number of Lanes that Must Remain Open, SPRING/FALL (March 1 through May 14, September 15 through December 14)									
	Monday - Wednesday		Thursday		Friday		Saturday		Sunday	
	Northbound	Southbound	Northbound	Southbound	Northbound	Southbound	Northbound	Southbound	Northbound	Southbound
12 am-1 am	1	1	1	1	1	1	1	1	1	1
1 am-2 am	1	1	1	1	1	1	1	1	1	1
2 am-3 am	1	1	1	1	1	1	1	1	1	1
3 am-4 am	1	1	1	1	1	1	1	1	1	1
4 am-5 am	1	1	1	1	1	1	1	1	1	1
5 am-6 am	2	1	2	1	2	1	1	1	1	1
6 am-7 am	3	2	3	2	3	2	2	1	1	1
7 am-8 am	3	3	3	3	3	3	2	2	1	1
8 am-9 am	3	3	3	3	3	3	2	2	1	1
9 am-10 am	3	2	3	2	3	3	2	2	2	2
10 am-11 am	3	2	3	2	2	3	2	2	2	2
11 am-12 pm	2	2	2	2	2	3	3	3	3	2
12 pm-1 pm	2	2	2	2	2	3	3	3	3	3
1 pm-2 pm	2	3	2	3	2	3	3	3	3	3
2 pm-3 pm	2	3	2	3	3	3	3	3	3	3
3 pm-4 pm	3	3	3	3	3	3	3	3	3	3
4 pm-5 pm	3	3	3	3	3	3	3	3	3	3
5 pm-6 pm	3	3	3	3	3	3	3	3	3	3
6 pm-7 pm	2	3	2	3	3	3	3	3	3	3
7 pm-8 pm	2	3	2	3	2	3	2	2	3	3
8 pm-9 pm	1	2	2	2	2	3	2	2	2	2
9 pm-10 pm	1	2	2	2	2	2	2	2	2	2
10 pm-11 pm	1	2	1	2	2	2	2	2	2	2
11 pm-12 am	1	1	1	2	1	2	1	2	1	1

Hour	Number of Lanes that Must Remain Open, WINTER (December 15 through February 28/29)									
	Monday - Wednesday		Thursday		Friday		Saturday		Sunday	
	Northbound	Southbound	Northbound	Southbound	Northbound	Southbound	Northbound	Southbound	Northbound	Southbound
12 am-1 am	1	1	1	1	1	1	1	1	1	1
1 am-2 am	1	1	1	1	1	1	1	1	1	1
2 am-3 am	1	1	1	1	1	1	1	1	1	1
3 am-4 am	1	1	1	1	1	1	1	1	1	1
4 am-5 am	1	1	1	1	1	1	1	1	1	1
5 am-6 am	2	1	2	1	2	1	1	1	1	1
6 am-7 am	3	2	3	2	3	2	1	1	1	1
7 am-8 am	3	2	3	3	3	3	2	2	1	1
8 am-9 am	3	2	3	3	3	3	2	2	1	1
9 am-10 am	3	2	3	2	3	2	2	2	2	2
10 am-11 am	2	2	3	2	2	2	2	2	2	2
11 am-12 pm	2	2	2	2	2	2	3	2	2	2
12 pm-1 pm	2	2	2	2	2	3	3	3	3	2
1 pm-2 pm	2	2	2	3	2	3	3	3	3	2
2 pm-3 pm	2	3	2	3	3	3	3	3	3	3
3 pm-4 pm	2	3	3	3	3	3	3	3	3	3
4 pm-5 pm	3	3	3	3	3	3	3	3	3	3
5 pm-6 pm	3	3	3	3	3	3	2	3	2	3
6 pm-7 pm	2	3	2	3	3	3	2	2	2	2
7 pm-8 pm	2	3	2	3	2	3	2	2	2	2
8 pm-9 pm	1	2	2	2	2	2	2	2	2	2
9 pm-10 pm	1	2	1	2	2	2	2	2	2	2
10 pm-11 pm	1	2	1	2	2	2	2	2	2	2
11 pm-12 am	1	1	1	2	1	2	1	2	1	1

**NEW JERSEY TURNPIKE INNER ROADWAY
LANE CLOSURES: MP 99.9 TO 101.4**

of lanes: Northbound Southbound
3 3 (Number of lanes may vary within section)

Maintain minimum number of lanes throughout work zone as shown below regardless of total number of lanes, excluding previously approved long-term work efforts.

Hour	Number of Lanes that Must Remain Open, SUMMER (May 15 through September 14)									
	Monday - Wednesday		Thursday		Friday		Saturday		Sunday	
	Northbound	Southbound	Northbound	Southbound	Northbound	Southbound	Northbound	Southbound	Northbound	Southbound
12 am-1 am	1	1	1	1	1	1	1	2	1	2
1 am-2 am	1	1	1	1	1	1	1	1	1	1
2 am-3 am	1	1	1	1	1	1	1	1	1	1
3 am-4 am	1	1	1	1	1	1	1	1	1	1
4 am-5 am	1	1	1	1	1	1	1	1	1	1
5 am-6 am	2	1	2	2	2	1	1	1	1	1
6 am-7 am	3	2	3	2	3	2	2	1	1	1
7 am-8 am	3	3	3	3	3	3	2	2	1	1
8 am-9 am	3	3	3	3	3	3	2	2	2	2
9 am-10 am	3	3	3	3	3	3	2	3	2	2
10 am-11 am	3	3	3	3	3	3	3	3	2	2
11 am-12 pm	3	3	3	3	3	3	3	3	3	3
12 pm-1 pm	3	3	3	3	3	3	3	3	3	3
1 pm-2 pm	3	3	3	3	3	3	3	3	3	3
2 pm-3 pm	3	3	3	3	3	3	3	3	3	3
3 pm-4 pm	3	3	3	3	3	3	3	3	3	3
4 pm-5 pm	3	3	3	3	3	3	3	3	3	3
5 pm-6 pm	3	3	3	3	3	3	3	3	3	3
6 pm-7 pm	2	3	3	3	3	3	3	3	3	3
7 pm-8 pm	2	3	2	3	2	3	2	2	3	3
8 pm-9 pm	2	2	2	2	2	3	2	2	3	2
9 pm-10 pm	2	2	2	2	2	2	2	2	2	2
10 pm-11 pm	2	2	2	2	2	2	2	2	2	2
11 pm-12 am	1	1	1	2	1	2	2	2	2	2

Hour	Number of Lanes that Must Remain Open, SPRING/FALL (March 1 through May 14, September 15 through December 14)									
	Monday - Wednesday		Thursday		Friday		Saturday		Sunday	
	Northbound	Southbound	Northbound	Southbound	Northbound	Southbound	Northbound	Southbound	Northbound	Southbound
12 am-1 am	1	1	1	1	1	1	1	1	1	1
1 am-2 am	1	1	1	1	1	1	1	1	1	1
2 am-3 am	1	1	1	1	1	1	1	1	1	1
3 am-4 am	1	1	1	1	1	1	1	1	1	1
4 am-5 am	1	1	1	1	1	1	1	1	1	1
5 am-6 am	2	1	2	1	2	1	1	1	1	1
6 am-7 am	3	2	3	2	3	2	2	1	1	1
7 am-8 am	3	3	3	3	3	3	2	2	1	1
8 am-9 am	3	3	3	3	3	3	2	2	2	1
9 am-10 am	3	2	3	2	3	3	2	2	2	2
10 am-11 am	3	2	3	2	3	3	3	2	3	2
11 am-12 pm	3	2	3	2	3	3	3	3	3	2
12 pm-1 pm	3	2	3	3	3	3	3	3	3	3
1 pm-2 pm	3	3	3	3	3	3	3	3	3	3
2 pm-3 pm	3	3	3	3	3	3	3	3	3	3
3 pm-4 pm	3	3	3	3	3	3	3	3	3	3
4 pm-5 pm	3	3	3	3	3	3	3	3	3	3
5 pm-6 pm	3	3	3	3	3	3	3	3	3	3
6 pm-7 pm	2	3	3	3	3	3	3	3	3	3
7 pm-8 pm	2	3	2	3	2	3	2	2	3	3
8 pm-9 pm	2	2	2	2	2	3	2	2	2	2
9 pm-10 pm	1	2	2	2	2	2	2	2	2	2
10 pm-11 pm	1	2	2	2	2	2	2	2	2	2
11 pm-12 am	1	1	1	2	1	2	1	2	1	1

Hour	Number of Lanes that Must Remain Open, WINTER (December 15 through February 28/29)									
	Monday - Wednesday		Thursday		Friday		Saturday		Sunday	
	Northbound	Southbound	Northbound	Southbound	Northbound	Southbound	Northbound	Southbound	Northbound	Southbound
12 am-1 am	1	1	1	1	1	1	1	1	1	1
1 am-2 am	1	1	1	1	1	1	1	1	1	1
2 am-3 am	1	1	1	1	1	1	1	1	1	1
3 am-4 am	1	1	1	1	1	1	1	1	1	1
4 am-5 am	1	1	1	1	1	1	1	1	1	1
5 am-6 am	2	1	2	1	2	1	1	1	1	1
6 am-7 am	3	2	3	2	3	2	2	1	1	1
7 am-8 am	3	3	3	3	3	3	2	2	1	1
8 am-9 am	3	3	3	3	3	3	2	2	1	1
9 am-10 am	3	2	3	2	3	3	2	2	2	2
10 am-11 am	3	2	3	2	3	3	2	2	2	2
11 am-12 pm	2	2	3	2	3	3	3	2	3	2
12 pm-1 pm	2	2	3	3	3	3	3	3	3	2
1 pm-2 pm	2	3	3	3	3	3	3	3	3	3
2 pm-3 pm	3	3	3	3	3	3	3	3	3	3
3 pm-4 pm	3	3	3	3	3	3	3	3	3	3
4 pm-5 pm	3	3	3	3	3	3	3	3	3	3
5 pm-6 pm	3	3	3	3	3	3	3	3	3	3
6 pm-7 pm	2	3	3	3	3	3	2	3	2	3
7 pm-8 pm	2	3	2	3	2	3	2	2	2	2
8 pm-9 pm	2	2	2	2	2	2	2	2	2	2
9 pm-10 pm	1	2	1	2	2	2	2	2	2	2
10 pm-11 pm	1	2	1	2	2	2	2	2	2	2
11 pm-12 am	1	1	1	2	1	2	1	2	1	1

**NEW JERSEY TURNPIKE INNER ROADWAY
LANE CLOSURES: MP 101.4 TO 104.4**

of lanes: Northbound Southbound
3 3 (Number of lanes may vary within section)

Maintain minimum number of lanes throughout work zone as shown below regardless of total number of lanes, excluding previously approved long-term work efforts.

Hour	Number of Lanes that Must Remain Open, SUMMER (May 15 through September 14)									
	Monday - Wednesday		Thursday		Friday		Saturday		Sunday	
	Northbound	Southbound	Northbound	Southbound	Northbound	Southbound	Northbound	Southbound	Northbound	Southbound
12 am-1 am	1	1	1	1	1	1	1	1	1	1
1 am-2 am	1	1	1	1	1	1	1	1	1	1
2 am-3 am	1	1	1	1	1	1	1	1	1	1
3 am-4 am	1	1	1	1	1	1	1	1	1	1
4 am-5 am	1	1	1	1	1	1	1	1	1	1
5 am-6 am	2	1	2	1	2	1	1	1	1	1
6 am-7 am	3	2	3	2	3	2	1	1	1	1
7 am-8 am	3	3	3	3	3	3	2	2	1	1
8 am-9 am	3	3	3	3	3	3	2	2	1	2
9 am-10 am	3	2	3	2	3	3	2	2	2	2
10 am-11 am	2	2	3	2	2	3	2	3	2	2
11 am-12 pm	2	2	2	2	2	3	3	3	3	3
12 pm-1 pm	2	2	2	2	2	3	3	3	3	3
1 pm-2 pm	2	3	2	3	2	3	3	3	3	3
2 pm-3 pm	2	3	3	3	3	3	3	3	3	3
3 pm-4 pm	3	3	3	3	3	3	3	3	3	3
4 pm-5 pm	3	3	3	3	3	3	3	3	3	3
5 pm-6 pm	3	3	3	3	3	3	3	3	3	3
6 pm-7 pm	2	3	3	3	3	3	3	2	3	2
7 pm-8 pm	2	2	2	3	2	3	2	2	3	2
8 pm-9 pm	2	2	2	2	2	2	2	2	3	2
9 pm-10 pm	2	2	2	2	2	2	2	2	2	2
10 pm-11 pm	2	2	2	2	2	2	2	2	2	2
11 pm-12 am	1	1	1	1	1	2	2	2	2	1

Hour	Number of Lanes that Must Remain Open, SPRING/FALL (March 1 through May 14, September 15 through December 14)									
	Monday - Wednesday		Thursday		Friday		Saturday		Sunday	
	Northbound	Southbound	Northbound	Southbound	Northbound	Southbound	Northbound	Southbound	Northbound	Southbound
12 am-1 am	1	1	1	1	1	1	1	1	1	1
1 am-2 am	1	1	1	1	1	1	1	1	1	1
2 am-3 am	1	1	1	1	1	1	1	1	1	1
3 am-4 am	1	1	1	1	1	1	1	1	1	1
4 am-5 am	1	1	1	1	1	1	1	1	1	1
5 am-6 am	2	1	2	1	2	1	1	1	1	1
6 am-7 am	3	2	3	2	3	2	1	1	1	1
7 am-8 am	3	3	3	3	3	2	2	2	1	1
8 am-9 am	3	3	3	3	3	2	2	2	1	1
9 am-10 am	3	2	3	2	3	2	2	2	2	2
10 am-11 am	2	2	2	2	2	2	2	2	2	2
11 am-12 pm	2	2	2	2	2	2	2	3	3	2
12 pm-1 pm	2	2	2	2	2	3	3	3	3	3
1 pm-2 pm	2	2	2	3	2	3	3	3	3	3
2 pm-3 pm	2	3	2	3	3	3	3	3	3	3
3 pm-4 pm	3	3	3	3	3	3	3	3	3	3
4 pm-5 pm	3	3	3	3	3	3	3	3	3	3
5 pm-6 pm	3	3	3	3	3	3	3	3	3	3
6 pm-7 pm	2	3	2	3	3	3	3	3	3	2
7 pm-8 pm	2	2	2	2	2	3	2	2	3	2
8 pm-9 pm	1	2	2	2	2	2	2	2	2	2
9 pm-10 pm	1	2	2	2	2	2	2	2	2	2
10 pm-11 pm	1	2	2	2	2	2	2	2	2	2
11 pm-12 am	1	1	1	1	1	2	1	2	1	1

Hour	Number of Lanes that Must Remain Open, WINTER (December 15 through February 28/29)									
	Monday - Wednesday		Thursday		Friday		Saturday		Sunday	
	Northbound	Southbound	Northbound	Southbound	Northbound	Southbound	Northbound	Southbound	Northbound	Southbound
12 am-1 am	1	1	1	1	1	1	1	1	1	1
1 am-2 am	1	1	1	1	1	1	1	1	1	1
2 am-3 am	1	1	1	1	1	1	1	1	1	1
3 am-4 am	1	1	1	1	1	1	1	1	1	1
4 am-5 am	1	1	1	1	1	1	1	1	1	1
5 am-6 am	2	1	2	1	2	1	1	1	1	1
6 am-7 am	3	2	3	2	3	2	1	1	1	1
7 am-8 am	3	2	3	3	3	2	2	1	1	1
8 am-9 am	3	2	3	3	3	2	2	2	1	1
9 am-10 am	3	2	3	2	3	2	2	2	2	2
10 am-11 am	2	2	2	2	2	2	2	2	2	2
11 am-12 pm	2	2	2	2	2	2	3	2	2	2
12 pm-1 pm	2	2	2	2	2	3	3	3	2	2
1 pm-2 pm	2	2	2	2	2	3	2	3	3	2
2 pm-3 pm	2	3	2	3	3	3	2	3	3	3
3 pm-4 pm	2	3	3	3	3	3	2	3	3	3
4 pm-5 pm	3	3	3	3	3	3	2	3	3	3
5 pm-6 pm	3	3	3	3	3	3	2	3	2	2
6 pm-7 pm	2	3	2	3	3	3	2	2	2	2
7 pm-8 pm	2	2	2	2	2	3	2	2	2	2
8 pm-9 pm	1	2	2	2	2	2	2	2	2	2
9 pm-10 pm	1	2	1	2	2	2	2	2	2	2
10 pm-11 pm	1	2	1	2	1	2	2	2	1	1
11 pm-12 am	1	1	1	1	1	2	1	2	1	1

NEW JERSEY TURNPIKE INNER ROADWAY
LANE CLOSURES: MP 104.4 TO 105.7*

		# of lanes:		Northbound		Southbound		(Number of lanes may vary within section)			
				3		3					
Maintain minimum number of lanes throughout work zone as shown below regardless of total number of lanes, excluding previously approved long-term work efforts.											
Number of Lanes that Must Remain Open, SUMMER (May 15 through September 14)											
Hour	Monday - Wednesday		Thursday		Friday		Saturday		Sunday		
	Northbound	Southbound	Northbound	Southbound	Northbound	Southbound	Northbound	Southbound	Northbound	Southbound	
12 am-1 am	1	1	1	1	1	1	1	1	1	1	
1 am-2 am	1	1	1	1	1	1	1	1	1	1	
2 am-3 am	1	1	1	1	1	1	1	1	1	1	
3 am-4 am	1	1	1	1	1	1	1	1	1	1	
4 am-5 am	1	1	1	1	1	1	1	1	1	1	
5 am-6 am	1	1	1	1	1	1	1	1	1	1	
6 am-7 am	2	2	2	2	2	2	1	1	1	1	
7 am-8 am	2	2	2	2	2	2	1	1	1	1	
8 am-9 am	2	2	2	2	2	2	1	2	1	1	
9 am-10 am	2	2	2	2	2	2	2	2	1	1	
10 am-11 am	2	2	2	2	2	2	2	2	2	2	
11 am-12 pm	2	2	2	2	2	2	2	2	2	2	
12 pm-1 pm	2	2	2	2	2	2	2	2	2	2	
1 pm-2 pm	2	2	2	2	2	2	2	2	2	2	
2 pm-3 pm	2	2	2	2	2	2	2	2	2	2	
3 pm-4 pm	2	2	2	2	2	2	2	2	2	2	
4 pm-5 pm	2	2	2	2	2	2	2	2	2	2	
5 pm-6 pm	2	2	2	2	2	2	2	2	2	2	
6 pm-7 pm	2	2	2	2	2	2	2	2	2	2	
7 pm-8 pm	1	2	1	2	2	2	2	2	2	2	
8 pm-9 pm	1	1	1	2	1	2	2	2	2	2	
9 pm-10 pm	1	1	1	1	1	1	1	1	2	2	
10 pm-11 pm	1	1	1	1	1	1	1	1	2	1	
11 pm-12 am	1	1	1	1	1	1	1	1	1	1	
Number of Lanes that Must Remain Open, SPRING/FALL (March 1 through May 14, September 15 through December 14)											
Hour	Monday - Wednesday		Thursday		Friday		Saturday		Sunday		
	Northbound	Southbound	Northbound	Southbound	Northbound	Southbound	Northbound	Southbound	Northbound	Southbound	
12 am-1 am	1	1	1	1	1	1	1	1	1	1	
1 am-2 am	1	1	1	1	1	1	1	1	1	1	
2 am-3 am	1	1	1	1	1	1	1	1	1	1	
3 am-4 am	1	1	1	1	1	1	1	1	1	1	
4 am-5 am	1	1	1	1	1	1	1	1	1	1	
5 am-6 am	1	1	1	1	1	1	1	1	1	1	
6 am-7 am	2	2	2	2	2	2	1	1	1	1	
7 am-8 am	2	2	2	2	2	2	1	1	1	1	
8 am-9 am	2	2	2	2	2	2	1	1	1	1	
9 am-10 am	2	2	2	2	2	2	2	2	1	1	
10 am-11 am	2	2	2	2	2	2	2	2	2	1	
11 am-12 pm	2	2	2	2	2	2	2	2	2	2	
12 pm-1 pm	2	2	2	2	2	2	2	2	2	2	
1 pm-2 pm	2	2	2	2	2	2	2	2	2	2	
2 pm-3 pm	2	2	2	2	2	2	2	2	2	2	
3 pm-4 pm	2	2	2	2	2	2	2	2	2	2	
4 pm-5 pm	2	2	2	2	2	2	2	2	2	2	
5 pm-6 pm	2	2	2	2	2	2	2	2	2	2	
6 pm-7 pm	2	2	2	2	2	2	2	2	2	2	
7 pm-8 pm	1	2	1	2	2	2	2	2	2	2	
8 pm-9 pm	1	1	1	1	1	2	1	1	2	2	
9 pm-10 pm	1	1	1	1	1	1	1	1	1	1	
10 pm-11 pm	1	1	1	1	1	1	1	1	1	1	
11 pm-12 am	1	1	1	1	1	1	1	1	1	1	
Number of Lanes that Must Remain Open, WINTER (December 15 through February 28/29)											
Hour	Monday - Wednesday		Thursday		Friday		Saturday		Sunday		
	Northbound	Southbound	Northbound	Southbound	Northbound	Southbound	Northbound	Southbound	Northbound	Southbound	
12 am-1 am	1	1	1	1	1	1	1	1	1	1	
1 am-2 am	1	1	1	1	1	1	1	1	1	1	
2 am-3 am	1	1	1	1	1	1	1	1	1	1	
3 am-4 am	1	1	1	1	1	1	1	1	1	1	
4 am-5 am	1	1	1	1	1	1	1	1	1	1	
5 am-6 am	1	1	1	1	1	1	1	1	1	1	
6 am-7 am	2	1	2	2	2	2	1	1	1	1	
7 am-8 am	2	2	2	2	2	2	1	1	1	1	
8 am-9 am	2	2	2	2	2	2	1	1	1	1	
9 am-10 am	2	2	2	2	2	2	1	1	1	1	
10 am-11 am	2	2	2	2	2	2	2	2	1	1	
11 am-12 pm	2	2	2	2	2	2	2	2	2	2	
12 pm-1 pm	2	2	2	2	2	2	2	2	2	2	
1 pm-2 pm	2	2	2	2	2	2	2	2	2	2	
2 pm-3 pm	2	2	2	2	2	2	2	2	2	2	
3 pm-4 pm	2	2	2	2	2	2	2	2	2	2	
4 pm-5 pm	2	2	2	2	2	2	2	2	2	2	
5 pm-6 pm	2	2	2	2	2	2	2	2	2	2	
6 pm-7 pm	2	2	2	2	2	2	2	2	2	2	
7 pm-8 pm	1	2	1	2	2	2	1	1	2	2	
8 pm-9 pm	1	1	1	1	1	1	1	1	1	1	
9 pm-10 pm	1	1	1	1	1	1	1	1	1	1	
10 pm-11 pm	1	1	1	1	1	1	1	1	1	1	
11 pm-12 am	1	1	1	1	1	1	1	1	1	1	

* Roadway between MP 105.7 to 106.6/106.8 not covered by Lane Closure Tables due to S. Mixing Bowl and Int. 15E ramps. See Table 1 in the Introduction.

NEW JERSEY TURNPIKE OUTER ROADWAY
LANE CLOSURES: MP 74.0 TO 83.4 NB/83.8 SB*

# of lanes:	Northbound	Southbound	(Number of lanes may vary within section)
	2	2	

Maintain minimum number of lanes throughout work zone as shown below regardless of total number of lanes, excluding previously approved long-term work efforts.

Hour	Number of Lanes that Must Remain Open, SUMMER (May 15 through September 14)									
	Monday - Wednesday		Thursday		Friday		Saturday		Sunday	
	Northbound	Southbound	Northbound	Southbound	Northbound	Southbound	Northbound	Southbound	Northbound	Southbound
12 am-1 am	1	1	1	1	1	1	1	1	1	1
1 am-2 am	1	1	1	1	1	1	1	1	1	1
2 am-3 am	1	1	1	1	1	1	1	1	1	1
3 am-4 am	1	1	1	1	1	1	1	1	1	1
4 am-5 am	1	1	1	1	1	1	1	1	1	1
5 am-6 am	2	1	2	1	2	1	1	1	1	1
6 am-7 am	2	2	2	2	2	2	1	1	1	1
7 am-8 am	2	2	2	2	2	2	1	2	1	1
8 am-9 am	2	2	2	2	2	2	2	2	1	1
9 am-10 am	2	2	2	2	2	2	2	2	2	2
10 am-11 am	2	2	2	2	2	2	2	2	2	2
11 am-12 pm	2	2	2	2	2	2	2	2	2	2
12 pm-1 pm	2	2	2	2	2	2	2	2	2	2
1 pm-2 pm	2	2	2	2	2	2	2	2	2	2
2 pm-3 pm	2	2	2	2	2	2	2	2	2	2
3 pm-4 pm	2	2	2	2	2	2	2	2	2	2
4 pm-5 pm	2	2	2	2	2	2	2	2	2	2
5 pm-6 pm	2	2	2	2	2	2	2	2	2	2
6 pm-7 pm	2	2	2	2	2	2	2	2	2	2
7 pm-8 pm	2	2	2	2	2	2	2	2	2	2
8 pm-9 pm	1	2	2	2	2	2	2	2	2	2
9 pm-10 pm	1	1	2	2	2	2	2	2	2	2
10 pm-11 pm	1	1	1	1	2	2	2	1	2	1
11 pm-12 am	1	1	1	1	1	1	1	1	1	1

Hour	Number of Lanes that Must Remain Open, OFF-SEASON (September 15 through May 14)									
	Monday - Wednesday		Thursday		Friday		Saturday		Sunday	
	Northbound	Southbound	Northbound	Southbound	Northbound	Southbound	Northbound	Southbound	Northbound	Southbound
12 am-1 am	1	1	1	1	1	1	1	1	1	1
1 am-2 am	1	1	1	1	1	1	1	1	1	1
2 am-3 am	1	1	1	1	1	1	1	1	1	1
3 am-4 am	1	1	1	1	1	1	1	1	1	1
4 am-5 am	1	1	1	1	1	1	1	1	1	1
5 am-6 am	2	1	2	1	2	1	1	1	1	1
6 am-7 am	2	2	2	2	2	2	1	1	1	1
7 am-8 am	2	2	2	2	2	2	1	1	1	1
8 am-9 am	2	2	2	2	2	2	2	2	1	1
9 am-10 am	2	2	2	2	2	2	2	2	1	1
10 am-11 am	2	2	2	2	2	2	2	2	2	2
11 am-12 pm	2	2	2	2	2	2	2	2	2	2
12 pm-1 pm	2	2	2	2	2	2	2	2	2	2
1 pm-2 pm	2	2	2	2	2	2	2	2	2	2
2 pm-3 pm	2	2	2	2	2	2	2	2	2	2
3 pm-4 pm	2	2	2	2	2	2	2	2	2	2
4 pm-5 pm	2	2	2	2	2	2	2	2	2	2
5 pm-6 pm	2	2	2	2	2	2	2	2	2	2
6 pm-7 pm	2	2	2	2	2	2	2	2	2	2
7 pm-8 pm	2	2	2	2	2	2	2	2	2	2
8 pm-9 pm	1	2	1	2	2	2	2	1	2	2
9 pm-10 pm	1	1	1	2	2	2	1	1	2	2
10 pm-11 pm	1	1	1	1	1	1	1	1	1	1
11 pm-12 am	1	1	1	1	1	1	1	1	1	1

* Roadway between MP 72.4 to 74.0 not covered by Lane Closure Tables due to S. Mixing Bowl and Int. 8A ramps. See Table 1 in the Introduction

NEW JERSEY TURNPIKE OUTER ROADWAY LANE CLOSURES: MP 88.0 TO 91.6

of lanes: Northbound Southbound (Number of lanes may vary within section)
 3 3

Maintain minimum number of lanes throughout work zone as shown below regardless of total number of lanes, excluding previously approved long-term work efforts.

Hour	Number of Lanes that Must Remain Open, SUMMER (May 15 through September 14)									
	Monday - Wednesday		Thursday		Friday		Saturday		Sunday	
	Northbound	Southbound	Northbound	Southbound	Northbound	Southbound	Northbound	Southbound	Northbound	Southbound
12 am-1 am	1	1	1	1	1	1	1	1	1	1
1 am-2 am	1	1	1	1	1	1	1	1	1	1
2 am-3 am	1	1	1	1	1	1	1	1	1	1
3 am-4 am	1	1	1	1	1	1	1	1	1	1
4 am-5 am	1	1	1	1	1	1	1	1	1	1
5 am-6 am	2	1	2	2	2	1	1	1	1	1
6 am-7 am	3	2	3	2	3	2	1	1	1	1
7 am-8 am	3	3	3	3	3	3	1	2	1	1
8 am-9 am	3	3	3	3	3	3	2	2	1	1
9 am-10 am	3	2	3	3	3	3	2	2	2	2
10 am-11 am	3	2	3	3	3	3	2	2	2	2
11 am-12 pm	2	2	3	3	3	3	2	2	2	2
12 pm-1 pm	2	2	3	3	3	3	2	2	2	2
1 pm-2 pm	2	2	3	3	3	3	2	2	2	2
2 pm-3 pm	2	3	3	3	3	3	2	2	2	2
3 pm-4 pm	3	3	3	3	3	3	2	2	3	2
4 pm-5 pm	3	3	3	3	3	3	2	2	3	2
5 pm-6 pm	3	3	3	3	3	3	2	2	3	2
6 pm-7 pm	2	3	2	3	3	3	2	2	2	2
7 pm-8 pm	2	2	2	2	2	2	2	2	2	2
8 pm-9 pm	2	2	2	2	2	2	2	2	2	2
9 pm-10 pm	1	2	2	2	2	2	2	2	2	2
10 pm-11 pm	1	1	2	2	2	2	2	1	2	1
11 pm-12 am	1	1	1	1	1	1	1	1	1	1

Hour	Number of Lanes that Must Remain Open, OFF-SEASON (September 15 through May 14)									
	Monday - Wednesday		Thursday		Friday		Saturday		Sunday	
	Northbound	Southbound	Northbound	Southbound	Northbound	Southbound	Northbound	Southbound	Northbound	Southbound
12 am-1 am	1	1	1	1	1	1	1	1	1	1
1 am-2 am	1	1	1	1	1	1	1	1	1	1
2 am-3 am	1	1	1	1	1	1	1	1	1	1
3 am-4 am	1	1	1	1	1	1	1	1	1	1
4 am-5 am	1	1	1	1	1	1	1	1	1	1
5 am-6 am	2	1	2	1	2	1	1	1	1	1
6 am-7 am	3	2	3	2	3	2	1	1	1	1
7 am-8 am	3	3	3	3	3	3	1	2	1	1
8 am-9 am	3	3	3	3	3	3	2	2	1	1
9 am-10 am	3	2	3	2	3	3	2	2	2	2
10 am-11 am	2	2	3	2	3	3	2	2	2	2
11 am-12 pm	2	2	2	2	3	3	2	2	2	2
12 pm-1 pm	2	2	2	2	3	3	2	2	2	2
1 pm-2 pm	2	2	2	2	3	3	2	2	2	2
2 pm-3 pm	2	3	3	3	3	3	2	2	2	2
3 pm-4 pm	3	3	3	3	3	3	2	2	2	2
4 pm-5 pm	3	3	3	3	3	3	2	2	2	2
5 pm-6 pm	3	3	3	3	3	3	2	2	2	2
6 pm-7 pm	2	3	2	3	2	3	2	2	2	2
7 pm-8 pm	2	2	2	2	2	2	2	2	2	2
8 pm-9 pm	1	2	2	2	2	2	2	2	2	2
9 pm-10 pm	1	2	2	2	2	2	2	2	2	2
10 pm-11 pm	1	1	1	2	2	2	1	1	2	1
11 pm-12 am	1	1	1	1	1	1	1	1	1	1

**NEW JERSEY TURNPIKE OUTER ROADWAY
LANE CLOSURES: MP 91.6 TO 96.1**

		# of lanes:		Northbound		Southbound		(Number of lanes may vary within section)			
				4*		4					
Maintain minimum number of lanes throughout work zone as shown below regardless of total number of lanes, excluding previously approved long-term work efforts.*											
Number of Lanes that Must Remain Open, SUMMER (May 15 through September 14)											
Hour	Monday - Wednesday		Thursday		Friday		Saturday		Sunday		
	Northbound	Southbound	Northbound	Southbound	Northbound	Southbound	Northbound	Southbound	Northbound	Southbound	
12 am-1 am	1	1	1	1	1	1	1	2	1	1	
1 am-2 am	1	1	1	1	1	1	1	1	1	1	
2 am-3 am	1	1	1	1	1	1	1	1	1	1	
3 am-4 am	1	1	1	1	1	1	1	1	1	1	
4 am-5 am	1	1	2	1	1	1	1	1	1	1	
5 am-6 am	3	2	3	2	2	2	1	1	1	1	
6 am-7 am	4	2	4	2	4	2	2	2	1	1	
7 am-8 am	4	3	4	3	4	3	2	2	1	1	
8 am-9 am	4	3	4	3	4	3	2	2	1	2	
9 am-10 am	3	3	3	3	3	3	2	2	2	2	
10 am-11 am	3	3	3	3	3	3	2	3	2	2	
11 am-12 pm	3	3	3	3	3	3	3	3	3	2	
12 pm-1 pm	3	3	3	3	3	3	3	3	3	3	
1 pm-2 pm	3	3	3	3	3	3	3	3	3	3	
2 pm-3 pm	3	3	3	3	3	4	3	3	3	2	
3 pm-4 pm	3	4	3	4	3	4	3	3	3	2	
4 pm-5 pm	3	4	3	4	3	4	3	3	3	2	
5 pm-6 pm	3	4	3	4	3	4	3	2	3	2	
6 pm-7 pm	2	3	3	4	3	4	3	2	3	2	
7 pm-8 pm	2	3	2	3	2	3	2	2	3	2	
8 pm-9 pm	2	2	2	2	2	3	2	2	3	2	
9 pm-10 pm	2	2	2	2	2	2	2	2	3	2	
10 pm-11 pm	2	2	2	2	2	2	2	2	2	2	
11 pm-12 am	1	2	1	2	2	2	2	2	2	1	

Number of Lanes that Must Remain Open, SPRING/FALL (March 1 through May 14, September 15 through December 14)											
Hour	Monday - Wednesday		Thursday		Friday		Saturday		Sunday		
	Northbound	Southbound	Northbound	Southbound	Northbound	Southbound	Northbound	Southbound	Northbound	Southbound	
12 am-1 am	1	1	1	1	1	1	1	2	1	1	
1 am-2 am	1	1	1	1	1	1	1	1	1	1	
2 am-3 am	1	1	1	1	1	1	1	1	1	1	
3 am-4 am	1	1	1	1	1	1	1	1	1	1	
4 am-5 am	1	1	1	1	1	1	1	1	1	1	
5 am-6 am	3	1	3	2	2	2	1	1	1	1	
6 am-7 am	4	2	4	2	4	2	2	1	1	1	
7 am-8 am	4	3	4	3	4	3	2	2	1	1	
8 am-9 am	4	3	4	3	3	3	2	2	2	1	
9 am-10 am	3	3	3	3	3	3	2	2	2	2	
10 am-11 am	3	3	3	3	3	3	2	2	2	2	
11 am-12 pm	3	3	3	3	3	3	3	2	3	2	
12 pm-1 pm	3	3	3	3	3	3	3	2	3	2	
1 pm-2 pm	3	3	3	3	3	3	3	2	3	2	
2 pm-3 pm	3	3	3	3	3	3	3	2	3	2	
3 pm-4 pm	3	4	3	4	3	4	3	3	3	2	
4 pm-5 pm	3	4	3	4	3	4	3	3	3	3	
5 pm-6 pm	3	4	3	4	3	4	3	3	3	3	
6 pm-7 pm	2	3	3	3	3	3	3	2	3	2	
7 pm-8 pm	2	3	2	3	2	3	2	2	3	2	
8 pm-9 pm	2	2	2	2	2	2	2	2	2	2	
9 pm-10 pm	2	2	2	2	2	2	2	2	2	2	
10 pm-11 pm	1	2	2	2	2	2	2	2	2	2	
11 pm-12 am	1	1	1	2	1	2	1	2	1	1	

Number of Lanes that Must Remain Open, WINTER (December 15 through February 28/29)											
Hour	Monday - Wednesday		Thursday		Friday		Saturday		Sunday		
	Northbound	Southbound	Northbound	Southbound	Northbound	Southbound	Northbound	Southbound	Northbound	Southbound	
12 am-1 am	1	1	1	1	1	1	1	1	1	1	
1 am-2 am	1	1	1	1	1	1	1	1	1	1	
2 am-3 am	1	1	1	1	1	1	1	1	1	1	
3 am-4 am	1	1	1	1	1	1	1	1	1	1	
4 am-5 am	1	1	1	1	1	1	1	1	1	1	
5 am-6 am	2	1	3	1	2	1	1	1	1	1	
6 am-7 am	4	2	4	2	4	2	2	1	1	1	
7 am-8 am	4	3	4	3	4	3	2	2	1	1	
8 am-9 am	4	3	4	3	4	3	2	2	1	1	
9 am-10 am	3	3	3	3	3	3	2	2	2	1	
10 am-11 am	3	3	3	3	3	3	2	2	2	2	
11 am-12 pm	3	3	3	3	3	3	3	2	2	2	
12 pm-1 pm	3	3	3	3	3	3	3	2	2	2	
1 pm-2 pm	3	3	3	3	3	3	2	2	3	2	
2 pm-3 pm	3	3	3	3	3	3	2	2	3	2	
3 pm-4 pm	3	3	3	4	3	4	2	3	3	2	
4 pm-5 pm	3	4	3	4	3	4	2	3	3	2	
5 pm-6 pm	3	4	3	4	3	4	2	2	2	2	
6 pm-7 pm	2	3	2	3	3	3	2	2	2	2	
7 pm-8 pm	2	2	2	3	2	3	2	2	2	2	
8 pm-9 pm	2	2	2	2	2	2	2	2	2	2	
9 pm-10 pm	2	2	2	2	2	2	2	2	2	2	
10 pm-11 pm	1	2	2	2	2	2	2	2	2	1	
11 pm-12 am	1	1	1	2	1	2	1	2	1	1	

* 3 northbound lanes for 1/4 mile beyond interchange merge. Treat '4's as '3's in that 1/4 mile section.

**NEW JERSEY TURNPIKE OUTER ROADWAY
LANE CLOSURES: MP 96.1 TO 99.9**

		# of lanes:		Northbound		Southbound		(Number of lanes may vary within section)			
				4*		4*					
Maintain minimum number of lanes throughout work zone as shown below regardless of total number of lanes, excluding previously approved long-term work efforts.*											
Number of Lanes that Must Remain Open, SUMMER (May 15 through September 14)											
Hour	Monday - Wednesday		Thursday		Friday		Saturday		Sunday		
	Northbound	Southbound	Northbound	Southbound	Northbound	Southbound	Northbound	Southbound	Northbound	Southbound	
12 am-1 am	1	1	1	1	1	1	1	2	1	2	
1 am-2 am	1	1	1	1	1	1	1	1	1	1	
2 am-3 am	1	1	1	1	1	1	1	1	1	1	
3 am-4 am	1	1	1	1	1	1	1	1	1	1	
4 am-5 am	2	1	2	1	1	1	1	1	1	1	
5 am-6 am	3	2	3	2	3	2	1	1	1	1	
6 am-7 am	4	2	4	3	4	3	2	2	1	1	
7 am-8 am	4	3	4	3	4	3	2	2	1	1	
8 am-9 am	4	3	4	3	4	3	2	2	2	2	
9 am-10 am	3	3	4	3	3	3	2	3	2	2	
10 am-11 am	3	3	3	3	3	3	3	3	2	2	
11 am-12 pm	3	3	3	3	3	3	3	3	3	3	
12 pm-1 pm	3	3	3	3	3	3	3	3	3	3	
1 pm-2 pm	3	3	3	3	3	4	3	3	3	3	
2 pm-3 pm	3	3	3	3	3	4	3	3	3	3	
3 pm-4 pm	3	4	3	4	3	4	3	3	3	3	
4 pm-5 pm	3	4	3	4	3	4	3	3	3	3	
5 pm-6 pm	3	4	3	4	3	4	3	3	3	3	
6 pm-7 pm	3	3	3	4	3	4	3	2	3	2	
7 pm-8 pm	2	3	2	3	2	3	2	2	3	2	
8 pm-9 pm	2	2	2	2	2	3	2	2	3	2	
9 pm-10 pm	2	2	2	2	2	2	2	2	3	2	
10 pm-11 pm	2	2	2	2	2	2	2	2	2	2	
11 pm-12 am	1	2	1	2	2	2	2	2	2	1	

Number of Lanes that Must Remain Open, SPRING/FALL (March 1 through May 14, September 15 through December 14)											
Hour	Monday - Wednesday		Thursday		Friday		Saturday		Sunday		
	Northbound	Southbound	Northbound	Southbound	Northbound	Southbound	Northbound	Southbound	Northbound	Southbound	
12 am-1 am	1	1	1	1	1	1	1	2	1	1	
1 am-2 am	1	1	1	1	1	1	1	1	1	1	
2 am-3 am	1	1	1	1	1	1	1	1	1	1	
3 am-4 am	1	1	1	1	1	1	1	1	1	1	
4 am-5 am	1	1	1	1	1	1	1	1	1	1	
5 am-6 am	3	2	3	2	2	2	1	1	1	1	
6 am-7 am	4	2	4	2	4	2	2	1	1	1	
7 am-8 am	4	3	4	3	4	3	2	2	1	1	
8 am-9 am	4	3	4	3	4	3	2	2	2	1	
9 am-10 am	4	3	4	3	3	3	2	2	2	2	
10 am-11 am	3	3	3	3	3	3	2	2	2	2	
11 am-12 pm	3	3	3	3	3	3	3	2	3	2	
12 pm-1 pm	3	3	3	3	3	3	3	3	3	2	
1 pm-2 pm	3	3	3	3	3	3	3	3	3	2	
2 pm-3 pm	3	3	3	3	3	4	3	3	3	2	
3 pm-4 pm	3	4	3	4	3	4	3	3	3	3	
4 pm-5 pm	3	4	3	4	3	4	3	3	3	3	
5 pm-6 pm	3	4	3	4	3	4	3	3	3	3	
6 pm-7 pm	2	4	3	3	3	4	3	2	3	3	
7 pm-8 pm	2	3	2	3	2	3	2	2	3	2	
8 pm-9 pm	2	2	2	2	2	3	2	2	2	2	
9 pm-10 pm	2	2	2	2	2	2	2	2	2	2	
10 pm-11 pm	2	2	2	2	2	2	2	2	2	2	
11 pm-12 am	1	2	1	2	1	2	1	2	1	1	

Number of Lanes that Must Remain Open, WINTER (December 15 through February 28/29)											
Hour	Monday - Wednesday		Thursday		Friday		Saturday		Sunday		
	Northbound	Southbound	Northbound	Southbound	Northbound	Southbound	Northbound	Southbound	Northbound	Southbound	
12 am-1 am	1	1	1	1	1	1	1	2	1	1	
1 am-2 am	1	1	1	1	1	1	1	1	1	1	
2 am-3 am	1	1	1	1	1	1	1	1	1	1	
3 am-4 am	1	1	1	1	1	1	1	1	1	1	
4 am-5 am	1	1	1	1	1	1	1	1	1	1	
5 am-6 am	2	1	3	2	3	2	1	1	1	1	
6 am-7 am	4	2	4	2	4	2	2	1	1	1	
7 am-8 am	4	3	4	3	4	3	2	2	1	1	
8 am-9 am	4	3	4	3	4	3	2	2	1	1	
9 am-10 am	3	3	4	3	3	3	2	2	2	1	
10 am-11 am	3	3	3	3	3	3	2	2	2	2	
11 am-12 pm	3	3	3	3	3	3	3	2	2	2	
12 pm-1 pm	3	3	3	3	3	3	3	2	3	2	
1 pm-2 pm	3	3	3	3	3	3	3	2	3	2	
2 pm-3 pm	3	3	3	3	3	4	3	2	3	2	
3 pm-4 pm	3	4	3	4	3	4	3	3	3	2	
4 pm-5 pm	3	4	3	4	3	4	3	3	3	2	
5 pm-6 pm	3	4	3	4	3	4	2	2	3	2	
6 pm-7 pm	2	3	3	4	3	4	2	2	2	2	
7 pm-8 pm	2	3	2	3	2	3	2	2	2	2	
8 pm-9 pm	2	2	2	2	2	2	2	2	2	2	
9 pm-10 pm	2	2	2	2	2	2	2	2	2	2	
10 pm-11 pm	2	2	2	2	2	2	2	2	2	1	
11 pm-12 am	1	1	1	2	1	2	1	2	1	1	

* 3 lanes between Interchange 13 exit and entrance ramps. Treat '4's as '3's in that section between ramps.

**NEW JERSEY TURNPIKE OUTER ROADWAY
LANE CLOSURES: MP 99.9 TO 101.4**

		# of lanes:		Northbound		Southbound		(Number of lanes may vary within section)			
				4*		4*					
Maintain minimum number of lanes throughout work zone as shown below regardless of total number of lanes, excluding previously approved long-term work efforts.*											
Number of Lanes that Must Remain Open, SUMMER (May 15 through September 14)											
Hour	Monday - Wednesday		Thursday		Friday		Saturday		Sunday		
	Northbound	Southbound	Northbound	Southbound	Northbound	Southbound	Northbound	Southbound	Northbound	Southbound	
12 am-1 am	1	1	1	1	1	1	1	2	1	2	
1 am-2 am	1	1	1	1	1	1	1	1	1	1	
2 am-3 am	1	1	1	1	1	1	1	1	1	1	
3 am-4 am	1	1	1	1	1	1	1	1	1	1	
4 am-5 am	2	1	2	1	2	1	1	1	1	1	
5 am-6 am	3	2	3	2	3	2	1	1	1	1	
6 am-7 am	4	3	4	3	4	3	2	2	1	1	
7 am-8 am	4	3	4	3	4	3	2	2	1	1	
8 am-9 am	4	3	4	3	4	3	2	2	2	2	
9 am-10 am	4	3	4	3	4	3	2	2	2	2	
10 am-11 am	3	3	4	3	3	3	3	3	2	2	
11 am-12 pm	3	3	3	3	3	3	3	3	3	2	
12 pm-1 pm	3	3	3	3	3	3	3	3	3	3	
1 pm-2 pm	3	3	3	3	3	4	3	3	3	3	
2 pm-3 pm	3	4	3	4	3	4	3	3	3	3	
3 pm-4 pm	3	4	4	4	3	4	3	3	3	3	
4 pm-5 pm	3	4	4	4	3	4	3	3	3	3	
5 pm-6 pm	3	4	3	4	3	4	3	3	3	3	
6 pm-7 pm	3	4	3	4	3	4	3	3	3	3	
7 pm-8 pm	2	3	2	3	3	3	2	2	3	3	
8 pm-9 pm	2	2	2	3	2	3	2	2	3	2	
9 pm-10 pm	2	2	2	2	2	2	2	2	3	2	
10 pm-11 pm	2	2	2	2	2	2	2	2	2	2	
11 pm-12 am	1	2	2	2	2	2	2	2	2	1	
Number of Lanes that Must Remain Open, SPRING/FALL (March 1 through May 14, September 15 through December 14)											
Hour	Monday - Wednesday		Thursday		Friday		Saturday		Sunday		
	Northbound	Southbound	Northbound	Southbound	Northbound	Southbound	Northbound	Southbound	Northbound	Southbound	
12 am-1 am	1	1	1	1	1	1	1	2	1	1	
1 am-2 am	1	1	1	1	1	1	1	1	1	1	
2 am-3 am	1	1	1	1	1	1	1	1	1	1	
3 am-4 am	1	1	1	1	1	1	1	1	1	1	
4 am-5 am	1	1	1	1	1	1	1	1	1	1	
5 am-6 am	3	2	3	2	3	2	1	1	1	1	
6 am-7 am	4	3	4	3	4	3	2	1	1	1	
7 am-8 am	4	3	4	3	4	3	2	2	1	1	
8 am-9 am	4	3	4	3	4	3	2	2	2	1	
9 am-10 am	4	3	4	3	4	3	2	2	2	2	
10 am-11 am	3	3	3	3	3	3	3	2	3	2	
11 am-12 pm	3	3	3	3	3	3	3	3	3	2	
12 pm-1 pm	3	3	3	3	3	3	3	3	3	2	
1 pm-2 pm	3	3	3	3	3	3	3	3	3	3	
2 pm-3 pm	3	4	3	4	3	4	3	3	3	3	
3 pm-4 pm	3	4	3	4	3	4	3	3	3	3	
4 pm-5 pm	3	4	3	4	3	4	3	3	3	3	
5 pm-6 pm	3	4	3	4	3	4	3	3	3	3	
6 pm-7 pm	3	4	3	4	3	4	3	3	3	3	
7 pm-8 pm	2	3	2	3	2	3	2	2	3	3	
8 pm-9 pm	2	2	2	2	2	3	2	2	2	2	
9 pm-10 pm	2	2	2	2	2	2	2	2	2	2	
10 pm-11 pm	2	2	2	2	2	2	2	2	2	2	
11 pm-12 am	1	1	1	2	1	2	1	2	1	1	
Number of Lanes that Must Remain Open, WINTER (December 15 through February 28/29)											
Hour	Monday - Wednesday		Thursday		Friday		Saturday		Sunday		
	Northbound	Southbound	Northbound	Southbound	Northbound	Southbound	Northbound	Southbound	Northbound	Southbound	
12 am-1 am	1	1	1	1	1	1	1	2	1	1	
1 am-2 am	1	1	1	1	1	1	1	1	1	1	
2 am-3 am	1	1	1	1	1	1	1	1	1	1	
3 am-4 am	1	1	1	1	1	1	1	1	1	1	
4 am-5 am	1	1	1	1	1	1	1	1	1	1	
5 am-6 am	2	2	3	2	3	2	1	1	1	1	
6 am-7 am	4	2	4	3	4	2	2	1	1	1	
7 am-8 am	4	3	4	3	4	3	2	2	1	1	
8 am-9 am	4	3	4	3	4	3	2	2	1	1	
9 am-10 am	4	3	4	3	4	3	2	2	2	1	
10 am-11 am	3	3	3	3	3	3	3	2	2	2	
11 am-12 pm	3	3	3	3	3	3	3	2	3	2	
12 pm-1 pm	3	3	3	3	3	3	3	3	3	2	
1 pm-2 pm	3	3	3	3	3	3	3	3	3	2	
2 pm-3 pm	3	3	3	4	3	4	3	3	3	2	
3 pm-4 pm	3	4	3	4	3	4	3	3	3	3	
4 pm-5 pm	3	4	3	4	3	4	3	3	3	3	
5 pm-6 pm	3	4	3	4	3	4	3	3	3	3	
6 pm-7 pm	3	4	3	4	3	4	3	3	2	2	
7 pm-8 pm	2	3	2	3	2	3	2	2	2	2	
8 pm-9 pm	2	2	2	2	2	2	2	2	2	2	
9 pm-10 pm	2	2	2	2	2	2	2	2	2	2	
10 pm-11 pm	2	2	2	2	2	2	2	2	2	1	
11 pm-12 am	1	1	1	2	1	2	1	2	1	1	

* 3 lanes between Interchange 13 exit and entrance ramps. Treat '4's as '3's in that section between ramps.

**NEW JERSEY TURNPIKE OUTER ROADWAY
LANE CLOSURES: MP 101.4 TO 104.4**

of lanes: Northbound Southbound
4 4* (Number of lanes may vary within section)

Maintain minimum number of lanes throughout work zone as shown below regardless of total number of lanes, excluding previously approved long-term work efforts.*

Hour	Number of Lanes that Must Remain Open, SUMMER (May 15 through September 14)									
	Monday - Wednesday		Thursday		Friday		Saturday		Sunday	
	Northbound	Southbound	Northbound	Southbound	Northbound	Southbound	Northbound	Southbound	Northbound	Southbound
12 am-1 am	1	1	1	1	1	1	1	2	1	1
1 am-2 am	1	1	1	1	1	1	1	1	1	1
2 am-3 am	1	1	1	1	1	1	1	1	1	1
3 am-4 am	1	1	1	1	1	1	1	1	1	1
4 am-5 am	1	1	2	1	1	1	1	1	1	1
5 am-6 am	2	2	2	2	2	2	1	1	1	1
6 am-7 am	4	2	4	3	4	2	2	1	1	1
7 am-8 am	4	3	4	3	4	3	2	2	1	1
8 am-9 am	4	3	4	3	4	3	2	2	1	2
9 am-10 am	3	3	4	3	3	3	2	2	2	2
10 am-11 am	3	3	3	3	3	3	2	3	2	2
11 am-12 pm	3	3	3	3	3	3	3	3	3	3
12 pm-1 pm	3	3	3	3	3	3	3	3	3	3
1 pm-2 pm	3	3	3	3	3	3	3	3	3	3
2 pm-3 pm	3	3	3	3	3	4	3	3	3	3
3 pm-4 pm	3	3	3	4	3	4	3	3	3	2
4 pm-5 pm	3	4	3	4	3	4	3	3	3	2
5 pm-6 pm	3	4	3	4	3	4	3	3	3	2
6 pm-7 pm	3	3	3	3	3	3	3	2	3	2
7 pm-8 pm	2	2	2	3	2	3	2	2	3	2
8 pm-9 pm	2	2	2	2	2	2	2	2	3	2
9 pm-10 pm	2	2	2	2	2	2	2	2	2	2
10 pm-11 pm	2	2	2	2	2	2	2	2	2	2
11 pm-12 am	1	1	1	2	2	2	2	2	2	1

Hour	Number of Lanes that Must Remain Open, SPRING/FALL (March 1 through May 14, September 15 through December 14)									
	Monday - Wednesday		Thursday		Friday		Saturday		Sunday	
	Northbound	Southbound	Northbound	Southbound	Northbound	Southbound	Northbound	Southbound	Northbound	Southbound
12 am-1 am	1	1	1	1	1	1	1	1	1	1
1 am-2 am	1	1	1	1	1	1	1	1	1	1
2 am-3 am	1	1	1	1	1	1	1	1	1	1
3 am-4 am	1	1	1	1	1	1	1	1	1	1
4 am-5 am	1	1	1	1	1	1	1	1	1	1
5 am-6 am	2	2	2	2	2	2	1	1	1	1
6 am-7 am	4	2	4	2	4	2	2	1	1	1
7 am-8 am	4	3	4	3	4	3	2	2	1	1
8 am-9 am	4	3	4	3	4	3	2	2	1	1
9 am-10 am	3	3	3	3	3	3	2	2	2	2
10 am-11 am	3	3	3	3	3	3	2	2	2	2
11 am-12 pm	3	3	3	3	3	3	3	2	3	2
12 pm-1 pm	3	3	3	3	3	3	3	3	3	2
1 pm-2 pm	3	3	3	3	3	3	3	3	3	2
2 pm-3 pm	3	3	3	3	3	3	3	3	3	2
3 pm-4 pm	3	4	3	4	3	4	3	3	3	3
4 pm-5 pm	3	4	3	4	3	4	3	3	3	3
5 pm-6 pm	3	4	3	4	3	4	3	3	3	3
6 pm-7 pm	3	3	3	3	3	3	3	2	3	2
7 pm-8 pm	2	2	2	3	2	3	2	2	3	2
8 pm-9 pm	2	2	2	2	2	2	2	2	2	2
9 pm-10 pm	2	2	2	2	2	2	2	2	2	2
10 pm-11 pm	2	2	2	2	2	2	2	2	2	1
11 pm-12 am	1	1	1	2	1	2	1	2	1	1

Hour	Number of Lanes that Must Remain Open, WINTER (December 15 through February 28/29)									
	Monday - Wednesday		Thursday		Friday		Saturday		Sunday	
	Northbound	Southbound	Northbound	Southbound	Northbound	Southbound	Northbound	Southbound	Northbound	Southbound
12 am-1 am	1	1	1	1	1	1	1	1	1	1
1 am-2 am	1	1	1	1	1	1	1	1	1	1
2 am-3 am	1	1	1	1	1	1	1	1	1	1
3 am-4 am	1	1	1	1	1	1	1	1	1	1
4 am-5 am	1	1	1	1	1	1	1	1	1	1
5 am-6 am	2	1	2	2	2	2	1	1	1	1
6 am-7 am	4	2	4	2	4	2	1	1	1	1
7 am-8 am	4	3	4	3	4	3	2	2	1	1
8 am-9 am	4	3	4	3	4	3	2	2	1	1
9 am-10 am	3	3	3	3	3	3	2	2	2	1
10 am-11 am	3	3	3	3	3	3	2	2	2	2
11 am-12 pm	3	3	3	3	3	3	3	2	2	2
12 pm-1 pm	3	3	3	3	3	3	3	2	2	2
1 pm-2 pm	3	3	3	3	3	3	2	2	3	2
2 pm-3 pm	3	3	3	3	3	3	2	3	3	2
3 pm-4 pm	3	3	3	4	3	4	2	3	3	2
4 pm-5 pm	3	3	3	4	3	4	3	3	3	2
5 pm-6 pm	3	3	3	4	3	4	3	2	3	2
6 pm-7 pm	2	3	3	3	3	3	2	2	2	2
7 pm-8 pm	2	2	2	3	2	3	2	2	2	2
8 pm-9 pm	2	2	2	2	2	2	2	2	2	2
9 pm-10 pm	2	2	2	2	2	2	2	2	2	2
10 pm-11 pm	2	2	2	2	2	2	2	2	2	1
11 pm-12 am	1	1	1	2	1	2	1	2	1	1

* 3 southbound lanes for 1/4 mile beyond interchange merge. Treat '4's as '3's in that 1/4 mile section.

NEW JERSEY TURNPIKE OUTER ROADWAY
LANE CLOSURES: MP 104.4 TO 105.7*

		# of lanes:		Northbound		Southbound		(Number of lanes may vary within section)			
				3		3					
Maintain minimum number of lanes throughout work zone as shown below regardless of total number of lanes, excluding previously approved long-term work efforts.											
Number of Lanes that Must Remain Open, SUMMER (May 15 through September 14)											
Hour	Monday - Wednesday		Thursday		Friday		Saturday		Sunday		
	Northbound	Southbound	Northbound	Southbound	Northbound	Southbound	Northbound	Southbound	Northbound	Southbound	
12 am-1 am	1	1	1	1	1	1	1	1	1	1	
1 am-2 am	1	1	1	1	1	1	1	1	1	1	
2 am-3 am	1	1	1	1	1	1	1	1	1	1	
3 am-4 am	1	1	1	1	1	1	1	1	1	1	
4 am-5 am	1	1	1	1	1	1	1	1	1	1	
5 am-6 am	2	2	2	2	2	2	1	1	1	1	
6 am-7 am	3	2	3	2	3	2	1	1	1	1	
7 am-8 am	3	3	3	3	3	3	2	2	1	1	
8 am-9 am	3	3	3	3	3	3	2	2	1	1	
9 am-10 am	3	3	3	3	3	3	2	2	2	2	
10 am-11 am	3	2	3	3	3	3	2	2	2	2	
11 am-12 pm	3	2	3	3	3	3	2	2	2	2	
12 pm-1 pm	3	2	3	3	3	3	2	2	2	2	
1 pm-2 pm	3	3	3	3	3	3	2	2	2	2	
2 pm-3 pm	3	3	3	3	3	3	2	2	2	2	
3 pm-4 pm	3	3	3	3	3	3	2	2	2	2	
4 pm-5 pm	3	3	3	3	3	3	2	2	3	2	
5 pm-6 pm	3	3	3	3	3	3	2	2	3	2	
6 pm-7 pm	2	3	3	3	3	3	2	2	3	2	
7 pm-8 pm	2	2	2	3	2	3	2	2	2	2	
8 pm-9 pm	2	2	2	2	2	2	2	2	2	2	
9 pm-10 pm	2	2	2	2	2	2	2	2	2	2	
10 pm-11 pm	2	2	2	2	2	2	2	2	2	1	
11 pm-12 am	1	1	1	2	2	2	1	2	1	1	
Number of Lanes that Must Remain Open, SPRING/FALL (March 1 through May 14, September 15 through December 14)											
Hour	Monday - Wednesday		Thursday		Friday		Saturday		Sunday		
	Northbound	Southbound	Northbound	Southbound	Northbound	Southbound	Northbound	Southbound	Northbound	Southbound	
12 am-1 am	1	1	1	1	1	1	1	1	1	1	
1 am-2 am	1	1	1	1	1	1	1	1	1	1	
2 am-3 am	1	1	1	1	1	1	1	1	1	1	
3 am-4 am	1	1	1	1	1	1	1	1	1	1	
4 am-5 am	1	1	1	1	1	1	1	1	1	1	
5 am-6 am	2	1	2	2	2	2	1	1	1	1	
6 am-7 am	3	2	3	2	3	2	1	1	1	1	
7 am-8 am	3	3	3	3	3	2	1	2	1	1	
8 am-9 am	3	3	3	3	3	2	2	2	1	1	
9 am-10 am	3	2	3	2	2	2	2	2	2	2	
10 am-11 am	2	2	2	2	2	2	2	2	2	2	
11 am-12 pm	2	2	2	2	2	2	2	2	2	2	
12 pm-1 pm	2	2	2	2	2	2	2	2	2	2	
1 pm-2 pm	2	2	2	2	2	3	2	2	2	2	
2 pm-3 pm	2	3	2	3	2	3	2	2	2	2	
3 pm-4 pm	3	3	3	3	3	3	2	2	2	2	
4 pm-5 pm	3	3	3	3	3	3	2	2	2	3	
5 pm-6 pm	3	3	3	3	3	3	2	2	2	3	
6 pm-7 pm	2	3	2	3	2	3	2	2	2	2	
7 pm-8 pm	2	2	2	2	2	2	2	2	2	2	
8 pm-9 pm	2	2	2	2	2	2	2	2	2	2	
9 pm-10 pm	1	2	2	2	2	2	2	2	2	2	
10 pm-11 pm	1	2	2	2	2	2	1	2	2	1	
11 pm-12 am	1	1	1	1	1	2	1	1	1	1	
Number of Lanes that Must Remain Open, WINTER (December 15 through February 28/29)											
Hour	Monday - Wednesday		Thursday		Friday		Saturday		Sunday		
	Northbound	Southbound	Northbound	Southbound	Northbound	Southbound	Northbound	Southbound	Northbound	Southbound	
12 am-1 am	1	1	1	1	1	1	1	1	1	1	
1 am-2 am	1	1	1	1	1	1	1	1	1	1	
2 am-3 am	1	1	1	1	1	1	1	1	1	1	
3 am-4 am	1	1	1	1	1	1	1	1	1	1	
4 am-5 am	1	1	1	1	1	1	1	1	1	1	
5 am-6 am	2	1	2	2	2	1	1	1	1	1	
6 am-7 am	3	2	3	2	3	2	1	1	1	1	
7 am-8 am	3	2	3	3	3	2	1	1	1	1	
8 am-9 am	3	2	3	3	3	2	2	1	1	1	
9 am-10 am	2	2	3	2	2	2	2	2	1	1	
10 am-11 am	2	2	2	2	2	2	2	2	2	2	
11 am-12 pm	2	2	2	2	2	2	2	2	2	2	
12 pm-1 pm	2	2	2	2	2	2	2	2	2	2	
1 pm-2 pm	2	2	2	2	2	3	2	2	2	2	
2 pm-3 pm	2	2	2	3	2	3	2	2	2	2	
3 pm-4 pm	2	3	3	3	3	3	2	2	2	2	
4 pm-5 pm	2	3	3	3	3	3	2	2	2	2	
5 pm-6 pm	2	3	2	3	2	3	2	2	2	2	
6 pm-7 pm	2	2	2	3	2	3	2	2	2	2	
7 pm-8 pm	2	2	2	2	2	2	2	2	2	2	
8 pm-9 pm	1	2	2	2	2	2	2	2	2	2	
9 pm-10 pm	1	2	1	2	1	2	1	1	1	1	
10 pm-11 pm	1	2	1	2	1	2	1	1	1	1	
11 pm-12 am	1	1	1	1	1	2	1	1	1	1	

* Roadway between MP 105.7 to 106.6/106.8 not covered by Lane Closure Tables due to S. Mixing Bowl and Int. 15E ramps. See Table 1 in the Introduction.

NEW JERSEY TURNPIKE RAMPS BETWEEN I-78 AND S. MIXING BOWL
LANE CLOSURES: MP 105.0 TO 105.9*

		# of lanes:		Northbound		Southbound		(Number of lanes may vary within section)			
				3		3					
Maintain minimum number of lanes throughout work zone as shown below regardless of total number of lanes, excluding previously approved long-term work efforts.											
Number of Lanes that Must Remain Open, SUMMER (May 15 through September 14)											
Hour	Monday - Wednesday		Thursday		Friday		Saturday		Sunday		
	Northbound	Southbound	Northbound	Southbound	Northbound	Southbound	Northbound	Southbound	Northbound	Southbound	
12 am-1 am	1	1	1	1	1	1	1	1	1	1	
1 am-2 am	1	1	1	1	1	1	1	1	1	1	
2 am-3 am	1	1	1	1	1	1	1	1	1	1	
3 am-4 am	1	1	1	1	1	1	1	1	1	1	
4 am-5 am	1	1	1	1	1	1	1	1	1	1	
5 am-6 am	2	1	2	2	2	1	1	1	1	1	
6 am-7 am	3	2	3	2	3	2	1	1	1	1	
7 am-8 am	3	3	3	3	3	2	1	1	1	1	
8 am-9 am	3	3	3	3	3	2	2	2	1	1	
9 am-10 am	3	2	3	2	3	2	2	2	1	1	
10 am-11 am	2	2	3	2	2	2	2	2	2	2	
11 am-12 pm	2	2	2	2	2	2	2	2	2	2	
12 pm-1 pm	2	2	2	2	2	3	2	2	2	2	
1 pm-2 pm	2	2	2	3	2	3	2	2	2	2	
2 pm-3 pm	2	3	3	3	3	3	2	2	2	2	
3 pm-4 pm	3	3	3	3	3	3	2	2	2	2	
4 pm-5 pm	3	3	3	3	3	3	2	2	2	2	
5 pm-6 pm	2	3	3	3	3	3	2	2	2	2	
6 pm-7 pm	2	3	3	3	2	3	2	2	2	2	
7 pm-8 pm	2	2	2	2	2	2	2	2	2	2	
8 pm-9 pm	2	2	2	2	2	2	2	2	2	2	
9 pm-10 pm	1	2	2	2	2	2	2	1	2	2	
10 pm-11 pm	1	1	2	2	2	2	1	1	2	1	
11 pm-12 am	1	1	1	1	1	2	1	1	1	1	
Number of Lanes that Must Remain Open, SPRING/FALL (March 1 through May 14, September 15 through December 14)											
Hour	Monday - Wednesday		Thursday		Friday		Saturday		Sunday		
	Northbound	Southbound	Northbound	Southbound	Northbound	Southbound	Northbound	Southbound	Northbound	Southbound	
12 am-1 am	1	1	1	1	1	1	1	1	1	1	
1 am-2 am	1	1	1	1	1	1	1	1	1	1	
2 am-3 am	1	1	1	1	1	1	1	1	1	1	
3 am-4 am	1	1	1	1	1	1	1	1	1	1	
4 am-5 am	1	1	1	1	1	1	1	1	1	1	
5 am-6 am	2	1	2	1	2	1	1	1	1	1	
6 am-7 am	3	2	3	2	3	2	1	1	1	1	
7 am-8 am	3	3	3	3	3	2	1	1	1	1	
8 am-9 am	3	3	3	3	3	2	2	2	1	1	
9 am-10 am	3	2	3	2	2	2	2	2	2	1	
10 am-11 am	2	2	2	2	2	2	2	2	2	2	
11 am-12 pm	2	2	2	2	2	2	2	2	2	2	
12 pm-1 pm	2	2	2	2	2	2	2	2	2	2	
1 pm-2 pm	2	2	2	3	2	3	2	2	2	2	
2 pm-3 pm	2	3	2	3	2	3	2	2	2	2	
3 pm-4 pm	3	3	3	3	3	3	2	2	2	2	
4 pm-5 pm	3	3	3	3	3	3	2	2	2	2	
5 pm-6 pm	3	3	3	3	3	3	2	2	2	2	
6 pm-7 pm	2	3	2	3	2	3	2	2	2	2	
7 pm-8 pm	2	2	2	2	2	2	2	2	2	2	
8 pm-9 pm	1	2	2	2	2	2	2	2	2	2	
9 pm-10 pm	1	2	2	2	2	2	1	1	2	2	
10 pm-11 pm	1	2	1	2	1	2	1	2	1	1	
11 pm-12 am	1	1	1	1	1	1	1	1	1	1	
Number of Lanes that Must Remain Open, WINTER (December 15 through February 28/29)											
Hour	Monday - Wednesday		Thursday		Friday		Saturday		Sunday		
	Northbound	Southbound	Northbound	Southbound	Northbound	Southbound	Northbound	Southbound	Northbound	Southbound	
12 am-1 am	1	1	1	1	1	1	1	1	1	1	
1 am-2 am	1	1	1	1	1	1	1	1	1	1	
2 am-3 am	1	1	1	1	1	1	1	1	1	1	
3 am-4 am	1	1	1	1	1	1	1	1	1	1	
4 am-5 am	1	1	1	1	1	1	1	1	1	1	
5 am-6 am	2	1	2	1	2	1	1	1	1	1	
6 am-7 am	3	2	3	2	3	2	1	1	1	1	
7 am-8 am	3	2	3	2	3	2	1	1	1	1	
8 am-9 am	3	2	3	2	3	2	2	1	1	1	
9 am-10 am	3	2	3	2	2	2	2	2	1	1	
10 am-11 am	2	2	2	2	2	2	2	2	2	1	
11 am-12 pm	2	2	2	2	2	2	2	2	2	2	
12 pm-1 pm	2	2	2	2	2	2	2	2	2	2	
1 pm-2 pm	2	2	2	2	2	2	2	2	2	2	
2 pm-3 pm	2	3	2	3	2	3	2	2	2	2	
3 pm-4 pm	2	3	2	3	3	3	2	2	2	2	
4 pm-5 pm	2	3	2	3	3	3	2	2	2	2	
5 pm-6 pm	2	3	2	3	2	3	2	2	2	2	
6 pm-7 pm	2	3	2	3	2	2	2	2	2	2	
7 pm-8 pm	2	2	2	2	2	2	2	2	2	2	
8 pm-9 pm	1	2	1	2	2	2	1	2	1	2	
9 pm-10 pm	1	2	1	2	1	2	1	1	1	1	
10 pm-11 pm	1	2	1	2	1	2	1	1	1	1	
11 pm-12 am	1	1	1	1	1	1	1	1	1	1	

* Roadway between MP 105.9 to 106.6/106.8 not covered by Lane Closure Tables due to S. Mixing Bowl and Int. 15E ramps. See Table 1 in the Introduction.

**NEW JERSEY TURNPIKE NEWARK BAY - HUDSON COUNTY EXT.
LANE CLOSURES: MP NO.0 TO N3.3**

of lanes: Eastbound Westbound
2 2 (Number of lanes may vary within section)

Maintain minimum number of lanes throughout work zone as shown below regardless of total number of lanes, excluding previously approved long-term work efforts.

Hour	Number of Lanes that Must Remain Open, SUMMER (May 15 through September 14)									
	Monday - Wednesday		Thursday		Friday		Saturday		Sunday	
	Eastbound	Westbound	Eastbound	Westbound	Eastbound	Westbound	Eastbound	Westbound	Eastbound	Westbound
12 am-1 am	1	1	1	1	1	1	1	1	1	1
1 am-2 am	1	1	1	1	1	1	1	1	1	1
2 am-3 am	1	1	1	1	1	1	1	1	1	1
3 am-4 am	1	1	1	1	1	1	1	1	1	1
4 am-5 am	1	1	1	1	1	1	1	1	1	1
5 am-6 am	2	1	2	1	2	1	1	1	1	1
6 am-7 am	2	2	2	2	2	2	1	1	1	1
7 am-8 am	2	2	2	2	2	2	2	2	1	1
8 am-9 am	2	2	2	2	2	2	2	2	1	1
9 am-10 am	2	2	2	2	2	2	2	2	2	1
10 am-11 am	2	2	2	2	2	2	2	2	2	2
11 am-12 pm	2	2	2	2	2	2	2	2	2	2
12 pm-1 pm	2	2	2	2	2	2	2	2	2	2
1 pm-2 pm	2	2	2	2	2	2	2	2	2	2
2 pm-3 pm	2	2	2	2	2	2	2	2	2	2
3 pm-4 pm	2	2	2	2	2	2	2	2	2	2
4 pm-5 pm	2	2	2	2	2	2	2	2	2	2
5 pm-6 pm	2	2	2	2	2	2	2	2	2	2
6 pm-7 pm	2	2	2	2	2	2	2	2	2	2
7 pm-8 pm	2	2	2	2	2	2	2	2	2	2
8 pm-9 pm	2	2	2	2	2	2	2	2	2	2
9 pm-10 pm	2	1	2	2	2	2	2	1	2	1
10 pm-11 pm	2	1	2	2	2	2	2	1	2	1
11 pm-12 am	1	1	1	1	1	1	2	1	1	1

Hour	Number of Lanes that Must Remain Open, SPRING/FALL (March 1 through May 14, September 15 through December 14)									
	Monday - Wednesday		Thursday		Friday		Saturday		Sunday	
	Eastbound	Westbound	Eastbound	Westbound	Eastbound	Westbound	Eastbound	Westbound	Eastbound	Westbound
12 am-1 am	1	1	1	1	1	1	1	1	1	1
1 am-2 am	1	1	1	1	1	1	1	1	1	1
2 am-3 am	1	1	1	1	1	1	1	1	1	1
3 am-4 am	1	1	1	1	1	1	1	1	1	1
4 am-5 am	1	1	1	1	1	1	1	1	1	1
5 am-6 am	2	1	2	1	2	1	1	1	1	1
6 am-7 am	2	2	2	2	2	2	1	1	1	1
7 am-8 am	2	2	2	2	2	2	1	1	1	1
8 am-9 am	2	2	2	2	2	2	2	2	1	1
9 am-10 am	2	2	2	2	2	2	2	2	1	1
10 am-11 am	2	2	2	2	2	2	2	2	2	2
11 am-12 pm	2	2	2	2	2	2	2	2	2	2
12 pm-1 pm	2	2	2	2	2	2	2	2	2	2
1 pm-2 pm	2	2	2	2	2	2	2	2	2	2
2 pm-3 pm	2	2	2	2	2	2	2	2	2	2
3 pm-4 pm	2	2	2	2	2	2	2	2	2	2
4 pm-5 pm	2	2	2	2	2	2	2	2	2	2
5 pm-6 pm	2	2	2	2	2	2	2	2	2	2
6 pm-7 pm	2	2	2	2	2	2	2	2	2	2
7 pm-8 pm	2	2	2	2	2	2	2	2	2	2
8 pm-9 pm	2	2	2	2	2	2	2	2	2	2
9 pm-10 pm	2	1	2	2	2	2	2	1	2	1
10 pm-11 pm	2	1	2	1	1	2	2	1	2	1
11 pm-12 am	1	1	1	1	1	1	1	1	1	1

Hour	Number of Lanes that Must Remain Open, WINTER (December 15 through February 28/29)									
	Monday - Wednesday		Thursday		Friday		Saturday		Sunday	
	Eastbound	Westbound	Eastbound	Westbound	Eastbound	Westbound	Eastbound	Westbound	Eastbound	Westbound
12 am-1 am	1	1	1	1	1	1	1	1	1	1
1 am-2 am	1	1	1	1	1	1	1	1	1	1
2 am-3 am	1	1	1	1	1	1	1	1	1	1
3 am-4 am	1	1	1	1	1	1	1	1	1	1
4 am-5 am	1	1	1	1	1	1	1	1	1	1
5 am-6 am	2	1	2	1	2	1	1	1	1	1
6 am-7 am	2	2	2	2	2	2	1	1	1	1
7 am-8 am	2	2	2	2	2	2	1	1	1	1
8 am-9 am	2	2	2	2	2	2	2	2	1	1
9 am-10 am	2	2	2	2	2	2	2	2	1	1
10 am-11 am	2	2	2	2	2	2	2	2	2	2
11 am-12 pm	2	2	2	2	2	2	2	2	2	2
12 pm-1 pm	2	2	2	2	2	2	2	2	2	2
1 pm-2 pm	2	2	2	2	2	2	2	2	2	2
2 pm-3 pm	2	2	2	2	2	2	2	2	2	2
3 pm-4 pm	2	2	2	2	2	2	2	2	2	2
4 pm-5 pm	2	2	2	2	2	2	2	2	2	2
5 pm-6 pm	2	2	2	2	2	2	2	2	2	2
6 pm-7 pm	2	2	2	2	2	2	2	2	2	2
7 pm-8 pm	2	2	2	2	2	2	2	2	2	2
8 pm-9 pm	2	2	2	2	2	2	2	2	2	1
9 pm-10 pm	1	1	1	2	2	2	2	1	1	1
10 pm-11 pm	1	1	1	1	1	1	2	1	1	1
11 pm-12 am	1	1	1	1	1	1	1	1	1	1

**NEW JERSEY TURNPIKE NEWARK BAY - HUDSON COUNTY EXT.
LANE CLOSURES: MP N3.3 TO N5.4**

of lanes: Eastbound Westbound
2 2 (Number of lanes may vary within section)

Maintain minimum number of lanes throughout work zone as shown below regardless of total number of lanes, excluding previously approved long-term work efforts.

Hour	Number of Lanes that Must Remain Open, SUMMER (May 15 through September 14)									
	Monday - Wednesday		Thursday		Friday		Saturday		Sunday	
	Eastbound	Westbound	Eastbound	Westbound	Eastbound	Westbound	Eastbound	Westbound	Eastbound	Westbound
12 am-1 am	1	1	1	1	1	1	1	1	1	1
1 am-2 am	1	1	1	1	1	1	1	1	1	1
2 am-3 am	1	1	1	1	1	1	1	1	1	1
3 am-4 am	1	1	1	1	1	1	1	1	1	1
4 am-5 am	1	1	1	1	1	1	1	1	1	1
5 am-6 am	1	1	1	1	1	1	1	1	1	1
6 am-7 am	2	1	2	1	2	1	1	1	1	1
7 am-8 am	2	2	2	2	2	2	1	1	1	1
8 am-9 am	2	2	2	2	2	2	1	1	1	1
9 am-10 am	2	2	2	2	2	2	1	2	1	1
10 am-11 am	2	2	2	2	2	2	2	2	2	1
11 am-12 pm	2	2	2	2	2	2	2	2	2	2
12 pm-1 pm	2	2	2	2	2	2	2	2	2	2
1 pm-2 pm	2	2	2	2	2	2	2	2	2	2
2 pm-3 pm	2	2	2	2	2	2	2	2	2	2
3 pm-4 pm	2	2	2	2	2	2	2	2	2	2
4 pm-5 pm	2	2	2	2	2	2	2	2	2	2
5 pm-6 pm	2	2	2	2	2	2	2	2	2	2
6 pm-7 pm	2	2	2	2	2	2	2	2	2	2
7 pm-8 pm	2	2	2	2	2	2	2	2	2	1
8 pm-9 pm	1	1	1	2	1	2	2	1	2	1
9 pm-10 pm	1	1	1	1	1	1	1	1	2	1
10 pm-11 pm	1	1	1	1	1	1	1	1	1	1
11 pm-12 am	1	1	1	1	1	1	1	1	1	1

Hour	Number of Lanes that Must Remain Open, SPRING/FALL (March 1 through May 14, September 15 through December 14)									
	Monday - Wednesday		Thursday		Friday		Saturday		Sunday	
	Eastbound	Westbound	Eastbound	Westbound	Eastbound	Westbound	Eastbound	Westbound	Eastbound	Westbound
12 am-1 am	1	1	1	1	1	1	1	1	1	1
1 am-2 am	1	1	1	1	1	1	1	1	1	1
2 am-3 am	1	1	1	1	1	1	1	1	1	1
3 am-4 am	1	1	1	1	1	1	1	1	1	1
4 am-5 am	1	1	1	1	1	1	1	1	1	1
5 am-6 am	1	1	1	1	1	1	1	1	1	1
6 am-7 am	2	1	2	1	2	1	1	1	1	1
7 am-8 am	2	2	2	2	2	2	1	1	1	1
8 am-9 am	2	2	2	2	2	2	1	1	1	1
9 am-10 am	2	2	2	2	2	2	2	1	1	1
10 am-11 am	2	2	2	2	2	2	2	2	2	1
11 am-12 pm	2	2	2	2	2	2	2	2	2	2
12 pm-1 pm	2	2	2	2	2	2	2	2	2	2
1 pm-2 pm	2	2	2	2	2	2	2	2	2	2
2 pm-3 pm	2	2	2	2	2	2	2	2	2	2
3 pm-4 pm	2	2	2	2	2	2	2	2	2	2
4 pm-5 pm	2	2	2	2	2	2	2	2	2	2
5 pm-6 pm	2	2	2	2	2	2	2	2	2	2
6 pm-7 pm	2	2	2	2	2	2	2	2	2	2
7 pm-8 pm	1	2	2	2	2	2	2	2	2	1
8 pm-9 pm	1	1	1	2	1	2	1	1	2	1
9 pm-10 pm	1	1	1	1	1	1	1	1	1	1
10 pm-11 pm	1	1	1	1	1	1	1	1	1	1
11 pm-12 am	1	1	1	1	1	1	1	1	1	1

Hour	Number of Lanes that Must Remain Open, WINTER (December 15 through February 28/29)									
	Monday - Wednesday		Thursday		Friday		Saturday		Sunday	
	Eastbound	Westbound	Eastbound	Westbound	Eastbound	Westbound	Eastbound	Westbound	Eastbound	Westbound
12 am-1 am	1	1	1	1	1	1	1	1	1	1
1 am-2 am	1	1	1	1	1	1	1	1	1	1
2 am-3 am	1	1	1	1	1	1	1	1	1	1
3 am-4 am	1	1	1	1	1	1	1	1	1	1
4 am-5 am	1	1	1	1	1	1	1	1	1	1
5 am-6 am	1	1	1	1	1	1	1	1	1	1
6 am-7 am	2	1	2	1	2	1	1	1	1	1
7 am-8 am	2	2	2	2	2	2	1	1	1	1
8 am-9 am	2	2	2	2	2	2	1	1	1	1
9 am-10 am	2	1	2	2	2	2	1	1	1	1
10 am-11 am	2	1	2	2	2	2	2	2	1	1
11 am-12 pm	2	1	2	2	2	2	2	2	2	1
12 pm-1 pm	1	2	2	2	2	2	2	2	2	2
1 pm-2 pm	1	2	2	2	2	2	2	2	2	2
2 pm-3 pm	1	2	2	2	2	2	2	2	2	2
3 pm-4 pm	2	2	2	2	2	2	2	2	2	2
4 pm-5 pm	2	2	2	2	2	2	2	2	2	2
5 pm-6 pm	2	2	2	2	2	2	2	2	2	2
6 pm-7 pm	2	2	2	2	2	2	2	2	2	1
7 pm-8 pm	1	2	2	2	2	2	2	1	1	1
8 pm-9 pm	1	1	1	2	1	2	1	1	1	1
9 pm-10 pm	1	1	1	1	1	1	1	1	1	1
10 pm-11 pm	1	1	1	1	1	1	1	1	1	1
11 pm-12 am	1	1	1	1	1	1	1	1	1	1

**NEW JERSEY TURNPIKE NEWARK BAY - HUDSON COUNTY EXT.
LANE CLOSURES: MP N5.4 TO N8.1**

of lanes: Eastbound Westbound
2 2 (Number of lanes may vary within section)

Maintain minimum number of lanes throughout work zone as shown below regardless of total number of lanes, excluding previously approved long-term work efforts.

Hour	Number of Lanes that Must Remain Open, SUMMER (May 15 through September 14)									
	Monday - Wednesday		Thursday		Friday		Saturday		Sunday	
	Eastbound	Westbound	Eastbound	Westbound	Eastbound	Westbound	Eastbound	Westbound	Eastbound	Westbound
12 am-1 am	1	1	1	1	1	1	1	1	1	1
1 am-2 am	1	1	1	1	1	1	1	1	1	1
2 am-3 am	1	1	1	1	1	1	1	1	1	1
3 am-4 am	1	1	1	1	1	1	1	1	1	1
4 am-5 am	1	1	1	1	1	1	1	1	1	1
5 am-6 am	1	1	1	1	1	1	1	1	1	1
6 am-7 am	2	1	2	1	2	1	1	1	1	1
7 am-8 am	2	2	2	2	2	2	1	1	1	1
8 am-9 am	2	2	2	2	2	2	1	1	1	1
9 am-10 am	2	2	2	2	2	2	1	2	1	1
10 am-11 am	2	2	2	2	2	2	2	2	2	1
11 am-12 pm	2	2	2	2	2	2	2	2	2	2
12 pm-1 pm	2	2	2	2	2	2	2	2	2	2
1 pm-2 pm	2	2	2	2	2	2	2	2	2	2
2 pm-3 pm	2	2	2	2	2	2	2	2	2	2
3 pm-4 pm	2	2	2	2	2	2	2	2	2	2
4 pm-5 pm	2	2	2	2	2	2	2	2	2	2
5 pm-6 pm	2	2	2	2	2	2	2	2	2	2
6 pm-7 pm	2	2	2	2	2	2	2	2	2	2
7 pm-8 pm	2	2	2	2	2	2	2	2	2	1
8 pm-9 pm	1	1	1	2	1	2	2	1	2	1
9 pm-10 pm	1	1	1	2	1	1	1	1	2	1
10 pm-11 pm	1	1	1	1	1	1	1	1	1	1
11 pm-12 am	1	1	1	1	1	1	1	1	1	1

Hour	Number of Lanes that Must Remain Open, SPRING/FALL (March 1 through May 14, September 15 through December 14)									
	Monday - Wednesday		Thursday		Friday		Saturday		Sunday	
	Eastbound	Westbound	Eastbound	Westbound	Eastbound	Westbound	Eastbound	Westbound	Eastbound	Westbound
12 am-1 am	1	1	1	1	1	1	1	1	1	1
1 am-2 am	1	1	1	1	1	1	1	1	1	1
2 am-3 am	1	1	1	1	1	1	1	1	1	1
3 am-4 am	1	1	1	1	1	1	1	1	1	1
4 am-5 am	1	1	1	1	1	1	1	1	1	1
5 am-6 am	1	1	1	1	1	1	1	1	1	1
6 am-7 am	2	1	2	1	2	1	1	1	1	1
7 am-8 am	2	2	2	2	2	2	1	1	1	1
8 am-9 am	2	2	2	2	2	2	1	1	1	1
9 am-10 am	2	2	2	2	2	2	2	1	1	1
10 am-11 am	2	2	2	2	2	2	2	2	2	1
11 am-12 pm	2	2	2	2	2	2	2	2	2	2
12 pm-1 pm	2	2	2	2	2	2	2	2	2	2
1 pm-2 pm	2	2	2	2	2	2	2	2	2	2
2 pm-3 pm	2	2	2	2	2	2	2	2	2	2
3 pm-4 pm	2	2	2	2	2	2	2	2	2	2
4 pm-5 pm	2	2	2	2	2	2	2	2	2	2
5 pm-6 pm	2	2	2	2	2	2	2	2	2	2
6 pm-7 pm	2	2	2	2	2	2	2	2	2	2
7 pm-8 pm	1	2	2	2	2	2	2	2	2	1
8 pm-9 pm	1	2	1	2	1	2	1	1	2	1
9 pm-10 pm	1	1	1	1	1	1	1	1	1	1
10 pm-11 pm	1	1	1	1	1	1	1	1	1	1
11 pm-12 am	1	1	1	1	1	1	1	1	1	1

Hour	Number of Lanes that Must Remain Open, WINTER (December 15 through February 28/29)									
	Monday - Wednesday		Thursday		Friday		Saturday		Sunday	
	Eastbound	Westbound	Eastbound	Westbound	Eastbound	Westbound	Eastbound	Westbound	Eastbound	Westbound
12 am-1 am	1	1	1	1	1	1	1	1	1	1
1 am-2 am	1	1	1	1	1	1	1	1	1	1
2 am-3 am	1	1	1	1	1	1	1	1	1	1
3 am-4 am	1	1	1	1	1	1	1	1	1	1
4 am-5 am	1	1	1	1	1	1	1	1	1	1
5 am-6 am	1	1	1	1	1	1	1	1	1	1
6 am-7 am	2	1	2	1	2	1	1	1	1	1
7 am-8 am	2	2	2	2	2	2	1	1	1	1
8 am-9 am	2	2	2	2	2	2	1	1	1	1
9 am-10 am	2	1	2	2	2	2	1	1	1	1
10 am-11 am	2	1	2	2	2	2	2	2	1	1
11 am-12 pm	2	1	2	2	2	2	2	2	2	1
12 pm-1 pm	1	2	2	2	2	2	2	2	2	2
1 pm-2 pm	1	2	2	2	2	2	2	2	2	2
2 pm-3 pm	1	2	2	2	2	2	2	2	2	2
3 pm-4 pm	2	2	2	2	2	2	2	2	2	2
4 pm-5 pm	2	2	2	2	2	2	2	2	2	2
5 pm-6 pm	2	2	2	2	2	2	2	2	2	2
6 pm-7 pm	2	2	2	2	2	2	2	2	2	1
7 pm-8 pm	1	2	2	2	2	2	2	2	1	1
8 pm-9 pm	1	1	1	2	1	2	1	1	1	1
9 pm-10 pm	1	1	1	1	1	1	1	1	1	1
10 pm-11 pm	1	1	1	1	1	1	1	1	1	1
11 pm-12 am	1	1	1	1	1	1	1	1	1	1

**NEW JERSEY TURNPIKE EASTERLY ALIGNMENT
LANE CLOSURES: MP E106.8 NB/E106.6 SB TO E108.8***

		# of lanes:		Northbound		Southbound		(Number of lanes may vary within section)			
				3		3					
Maintain minimum number of lanes throughout work zone as shown below regardless of total number of lanes, excluding previously approved long-term work efforts.											
Number of Lanes that Must Remain Open, SUMMER (May 15 through September 14)											
Hour	Monday - Wednesday		Thursday		Friday		Saturday		Sunday		
	Northbound	Southbound	Northbound	Southbound	Northbound	Southbound	Northbound	Southbound	Northbound	Southbound	
12 am-1 am	1	1	1	1	1	1	1	1	1	1	
1 am-2 am	1	1	1	1	1	1	1	1	1	1	
2 am-3 am	1	1	1	1	1	1	1	1	1	1	
3 am-4 am	1	1	1	1	1	1	1	1	1	1	
4 am-5 am	1	1	1	1	1	1	1	1	1	1	
5 am-6 am	2	1	2	2	2	1	1	1	1	1	
6 am-7 am	3	2	3	2	3	2	1	1	1	1	
7 am-8 am	3	3	3	3	3	3	1	2	1	1	
8 am-9 am	3	3	3	3	3	3	2	2	1	1	
9 am-10 am	3	2	3	3	2	3	2	2	2	2	
10 am-11 am	2	2	2	2	2	3	2	2	2	2	
11 am-12 pm	2	2	2	2	2	3	2	3	2	2	
12 pm-1 pm	2	2	2	2	2	3	2	3	2	3	
1 pm-2 pm	2	3	2	3	2	3	2	3	2	3	
2 pm-3 pm	2	3	2	3	2	3	2	3	2	3	
3 pm-4 pm	3	3	3	3	3	3	2	3	3	3	
4 pm-5 pm	3	3	3	3	3	3	2	3	3	3	
5 pm-6 pm	3	3	3	3	3	3	2	3	3	3	
6 pm-7 pm	2	3	2	3	2	3	2	2	3	3	
7 pm-8 pm	2	2	2	3	2	3	2	2	3	2	
8 pm-9 pm	2	2	2	2	2	2	2	2	3	2	
9 pm-10 pm	1	2	2	2	2	2	2	2	2	2	
10 pm-11 pm	1	2	2	2	1	2	2	2	2	2	
11 pm-12 am	1	1	1	2	1	2	1	2	1	1	
Number of Lanes that Must Remain Open, SPRING/FALL (March 1 through May 14, September 15 through December 14)											
Hour	Monday - Wednesday		Thursday		Friday		Saturday		Sunday		
	Northbound	Southbound	Northbound	Southbound	Northbound	Southbound	Northbound	Southbound	Northbound	Southbound	
12 am-1 am	1	1	1	1	1	1	1	1	1	1	
1 am-2 am	1	1	1	1	1	1	1	1	1	1	
2 am-3 am	1	1	1	1	1	1	1	1	1	1	
3 am-4 am	1	1	1	1	1	1	1	1	1	1	
4 am-5 am	1	1	1	1	1	1	1	1	1	1	
5 am-6 am	2	1	2	1	2	1	1	1	1	1	
6 am-7 am	3	2	3	2	3	2	1	1	1	1	
7 am-8 am	3	3	3	3	3	3	2	2	1	1	
8 am-9 am	3	3	3	3	3	3	2	2	1	1	
9 am-10 am	3	2	3	2	2	2	2	2	2	2	
10 am-11 am	2	2	2	2	2	2	2	2	2	2	
11 am-12 pm	2	2	2	2	2	2	2	2	2	2	
12 pm-1 pm	2	2	2	3	2	3	2	2	2	3	
1 pm-2 pm	2	2	2	3	2	3	2	2	2	3	
2 pm-3 pm	2	3	2	3	2	3	2	3	2	3	
3 pm-4 pm	3	3	3	3	3	3	2	3	2	3	
4 pm-5 pm	3	3	3	3	3	3	3	3	3	3	
5 pm-6 pm	3	3	3	3	3	3	3	3	3	3	
6 pm-7 pm	2	3	2	3	2	3	3	3	3	3	
7 pm-8 pm	2	2	2	3	2	3	2	2	2	2	
8 pm-9 pm	2	2	2	2	2	2	2	2	2	2	
9 pm-10 pm	1	2	2	2	2	2	2	2	2	2	
10 pm-11 pm	1	2	2	2	1	2	2	2	2	1	
11 pm-12 am	1	1	1	2	1	2	1	2	1	1	
Number of Lanes that Must Remain Open, WINTER (December 15 through February 28/29)											
Hour	Monday - Wednesday		Thursday		Friday		Saturday		Sunday		
	Northbound	Southbound	Northbound	Southbound	Northbound	Southbound	Northbound	Southbound	Northbound	Southbound	
12 am-1 am	1	1	1	1	1	1	1	1	1	1	
1 am-2 am	1	1	1	1	1	1	1	1	1	1	
2 am-3 am	1	1	1	1	1	1	1	1	1	1	
3 am-4 am	1	1	1	1	1	1	1	1	1	1	
4 am-5 am	1	1	1	1	1	1	1	1	1	1	
5 am-6 am	2	1	2	1	2	1	1	1	1	1	
6 am-7 am	3	2	3	2	3	2	1	1	1	1	
7 am-8 am	3	3	3	3	3	3	1	2	1	1	
8 am-9 am	3	3	3	3	3	3	2	2	1	1	
9 am-10 am	3	2	3	2	3	2	2	2	1	1	
10 am-11 am	2	2	2	2	2	2	2	2	2	2	
11 am-12 pm	2	2	2	2	2	2	2	2	2	2	
12 pm-1 pm	2	2	2	2	2	3	2	2	2	2	
1 pm-2 pm	2	2	2	3	2	3	2	2	2	2	
2 pm-3 pm	2	3	2	3	2	3	2	3	2	3	
3 pm-4 pm	2	3	3	3	3	3	2	3	2	3	
4 pm-5 pm	3	3	3	3	3	3	2	3	2	3	
5 pm-6 pm	3	3	3	3	3	3	2	3	2	3	
6 pm-7 pm	2	3	2	3	2	3	2	2	2	2	
7 pm-8 pm	2	2	2	3	2	2	2	2	2	2	
8 pm-9 pm	1	2	2	2	2	2	2	2	2	2	
9 pm-10 pm	1	2	1	2	2	2	1	2	2	2	
10 pm-11 pm	1	2	1	2	1	2	1	2	1	1	
11 pm-12 am	1	1	1	2	1	2	1	2	1	1	

* Roadway between MP 105.7 to 106.6/106.8 not covered by Lane Closure Tables due to S. Mixing Bowl and Int. 15E ramps. See Table 1 in the Introduction.

**NEW JERSEY TURNPIKE EASTERLY ALIGNMENT
LANE CLOSURES: MP E108.8 TO E110.9**

of lanes: Northbound Southbound
3 3 (Number of lanes may vary within section)

Maintain minimum number of lanes throughout work zone as shown below regardless of total number of lanes, excluding previously approved long-term work efforts.

Hour	Number of Lanes that Must Remain Open, SUMMER (May 15 through September 14)									
	Monday - Wednesday		Thursday		Friday		Saturday		Sunday	
	Northbound	Southbound	Northbound	Southbound	Northbound	Southbound	Northbound	Southbound	Northbound	Southbound
12 am-1 am	1	1	1	1	1	1	1	2	1	2
1 am-2 am	1	1	1	1	1	1	1	1	1	1
2 am-3 am	1	1	1	1	1	1	1	1	1	1
3 am-4 am	1	1	1	1	1	1	1	1	1	1
4 am-5 am	1	1	1	1	1	1	1	1	1	1
5 am-6 am	2	2	2	2	2	2	1	1	1	1
6 am-7 am	3	3	3	3	3	3	1	1	1	1
7 am-8 am	3	3	3	3	3	3	2	2	1	1
8 am-9 am	3	3	3	3	3	3	2	2	1	2
9 am-10 am	3	3	3	3	3	3	2	3	2	2
10 am-11 am	3	3	3	3	3	3	2	3	2	2
11 am-12 pm	3	3	3	3	3	3	3	3	3	3
12 pm-1 pm	3	3	3	3	3	3	3	3	3	3
1 pm-2 pm	3	3	3	3	3	3	3	3	3	3
2 pm-3 pm	3	3	3	3	3	3	3	3	3	3
3 pm-4 pm	3	3	3	3	3	3	3	3	3	3
4 pm-5 pm	3	3	3	3	3	3	3	3	3	3
5 pm-6 pm	3	3	3	3	3	3	3	3	3	3
6 pm-7 pm	3	3	3	3	3	3	3	3	3	3
7 pm-8 pm	2	3	2	3	2	3	2	3	3	3
8 pm-9 pm	2	2	2	3	2	3	2	2	3	2
9 pm-10 pm	2	2	2	2	2	2	2	2	3	2
10 pm-11 pm	2	2	2	2	2	2	2	2	2	2
11 pm-12 am	1	2	1	2	1	2	2	2	2	2

Hour	Number of Lanes that Must Remain Open, SPRING/FALL (March 1 through May 14, September 15 through December 14)									
	Monday - Wednesday		Thursday		Friday		Saturday		Sunday	
	Northbound	Southbound	Northbound	Southbound	Northbound	Southbound	Northbound	Southbound	Northbound	Southbound
12 am-1 am	1	1	1	1	1	1	1	2	1	2
1 am-2 am	1	1	1	1	1	1	1	1	1	1
2 am-3 am	1	1	1	1	1	1	1	1	1	1
3 am-4 am	1	1	1	1	1	1	1	1	1	1
4 am-5 am	1	1	1	1	1	1	1	1	1	1
5 am-6 am	2	2	2	2	2	2	1	1	1	1
6 am-7 am	3	3	3	3	3	2	1	1	1	1
7 am-8 am	3	3	3	3	3	3	2	2	1	1
8 am-9 am	3	3	3	3	3	3	2	2	1	1
9 am-10 am	3	3	3	3	3	3	2	2	2	2
10 am-11 am	3	3	3	3	3	3	3	3	2	2
11 am-12 pm	2	3	3	3	3	3	3	3	3	3
12 pm-1 pm	2	3	3	3	3	3	3	3	3	3
1 pm-2 pm	2	3	3	3	3	3	3	3	3	3
2 pm-3 pm	3	3	3	3	3	3	3	3	3	3
3 pm-4 pm	3	3	3	3	3	3	3	3	3	3
4 pm-5 pm	3	3	3	3	3	3	3	3	3	3
5 pm-6 pm	3	3	3	3	3	3	3	3	3	3
6 pm-7 pm	3	3	3	3	3	3	3	3	3	3
7 pm-8 pm	2	3	2	3	2	3	2	3	3	3
8 pm-9 pm	2	2	2	2	2	3	2	2	2	2
9 pm-10 pm	2	2	2	2	2	2	2	2	2	2
10 pm-11 pm	2	2	2	2	2	2	2	2	2	2
11 pm-12 am	1	2	1	2	1	2	1	2	1	2

Hour	Number of Lanes that Must Remain Open, WINTER (December 15 through February 28/29)									
	Monday - Wednesday		Thursday		Friday		Saturday		Sunday	
	Northbound	Southbound	Northbound	Southbound	Northbound	Southbound	Northbound	Southbound	Northbound	Southbound
12 am-1 am	1	1	1	1	1	1	1	2	1	2
1 am-2 am	1	1	1	1	1	1	1	1	1	1
2 am-3 am	1	1	1	1	1	1	1	1	1	1
3 am-4 am	1	1	1	1	1	1	1	1	1	1
4 am-5 am	1	1	1	1	1	1	1	1	1	1
5 am-6 am	2	1	2	2	2	2	1	1	1	1
6 am-7 am	3	2	3	2	3	2	1	1	1	1
7 am-8 am	3	3	3	3	3	3	2	2	1	1
8 am-9 am	3	3	3	3	3	3	2	2	1	1
9 am-10 am	3	3	3	3	3	3	2	2	2	2
10 am-11 am	3	3	3	3	3	3	2	2	2	2
11 am-12 pm	2	3	3	3	3	3	3	3	2	2
12 pm-1 pm	2	3	3	3	3	3	3	3	3	3
1 pm-2 pm	2	3	3	3	3	3	3	3	3	3
2 pm-3 pm	3	3	3	3	3	3	3	3	3	3
3 pm-4 pm	3	3	3	3	3	3	3	3	3	3
4 pm-5 pm	3	3	3	3	3	3	3	3	3	3
5 pm-6 pm	3	3	3	3	3	3	3	3	3	3
6 pm-7 pm	2	3	3	3	3	3	3	3	2	3
7 pm-8 pm	2	3	2	3	2	3	2	2	2	3
8 pm-9 pm	2	2	2	3	2	2	2	2	2	2
9 pm-10 pm	2	2	2	2	2	2	2	2	2	2
10 pm-11 pm	2	2	2	2	2	2	2	2	2	2
11 pm-12 am	1	2	1	2	1	2	1	2	1	1

**NEW JERSEY TURNPIKE EASTERLY ALIGNMENT
LANE CLOSURES: MP E110.9 TO E112.0***

		# of lanes:		Northbound		Southbound		(Number of lanes may vary within section)			
				3		3					
Maintain minimum number of lanes throughout work zone as shown below regardless of total number of lanes, excluding previously approved long-term work efforts.											
Number of Lanes that Must Remain Open, SUMMER (May 15 through September 14)											
Hour	Monday - Wednesday		Thursday		Friday		Saturday		Sunday		
	Northbound	Southbound	Northbound	Southbound	Northbound	Southbound	Northbound	Southbound	Northbound	Southbound	
12 am-1 am	1	1	1	1	1	1	1	2	1	2	
1 am-2 am	1	1	1	1	1	1	1	1	1	1	
2 am-3 am	1	1	1	1	1	1	1	1	1	1	
3 am-4 am	1	1	1	1	1	1	1	1	1	1	
4 am-5 am	1	1	1	1	1	1	1	1	1	1	
5 am-6 am	2	2	2	2	2	2	1	1	1	1	
6 am-7 am	3	3	3	3	3	3	1	1	1	1	
7 am-8 am	3	3	3	3	3	3	2	2	1	1	
8 am-9 am	3	3	3	3	3	3	2	2	1	2	
9 am-10 am	3	3	3	3	3	3	2	2	2	2	
10 am-11 am	3	3	3	3	2	3	2	3	2	2	
11 am-12 pm	2	3	3	3	2	3	3	3	3	3	
12 pm-1 pm	2	3	3	3	2	3	3	3	3	3	
1 pm-2 pm	2	3	3	3	2	3	2	3	3	3	
2 pm-3 pm	3	3	3	3	3	3	2	3	3	3	
3 pm-4 pm	3	3	3	3	3	3	2	3	3	3	
4 pm-5 pm	3	3	3	3	3	3	3	3	3	3	
5 pm-6 pm	3	3	3	3	3	3	3	3	3	3	
6 pm-7 pm	3	3	3	3	3	3	3	3	3	3	
7 pm-8 pm	2	3	2	3	2	3	2	2	3	3	
8 pm-9 pm	2	2	2	3	2	3	2	2	3	2	
9 pm-10 pm	2	2	2	2	2	2	2	2	3	2	
10 pm-11 pm	2	2	2	2	2	2	2	2	2	2	
11 pm-12 am	1	2	1	2	1	2	2	2	2	2	
Number of Lanes that Must Remain Open, SPRING/FALL (March 1 through May 14, September 15 through December 14)											
Hour	Monday - Wednesday		Thursday		Friday		Saturday		Sunday		
	Northbound	Southbound	Northbound	Southbound	Northbound	Southbound	Northbound	Southbound	Northbound	Southbound	
12 am-1 am	1	1	1	1	1	1	1	2	1	2	
1 am-2 am	1	1	1	1	1	1	1	1	1	1	
2 am-3 am	1	1	1	1	1	1	1	1	1	1	
3 am-4 am	1	1	1	1	1	1	1	1	1	1	
4 am-5 am	1	1	1	1	1	1	1	1	1	1	
5 am-6 am	2	2	2	2	2	2	1	1	1	1	
6 am-7 am	3	3	3	3	3	2	1	1	1	1	
7 am-8 am	3	3	3	3	3	3	2	2	1	1	
8 am-9 am	3	3	3	3	3	3	2	2	1	1	
9 am-10 am	3	3	3	3	3	3	2	2	2	2	
10 am-11 am	3	3	3	3	2	3	2	2	2	2	
11 am-12 pm	2	3	2	3	2	3	3	3	3	3	
12 pm-1 pm	2	3	2	3	2	3	3	3	3	3	
1 pm-2 pm	2	3	2	3	2	3	2	3	3	3	
2 pm-3 pm	2	3	3	3	3	3	2	3	3	3	
3 pm-4 pm	3	3	3	3	3	3	2	3	3	3	
4 pm-5 pm	3	3	3	3	3	3	3	3	3	3	
5 pm-6 pm	3	3	3	3	3	3	3	3	3	3	
6 pm-7 pm	3	3	3	3	3	3	3	3	3	3	
7 pm-8 pm	2	3	2	3	2	3	2	3	3	3	
8 pm-9 pm	2	2	2	2	2	2	2	2	2	2	
9 pm-10 pm	2	2	2	2	2	2	2	2	2	2	
10 pm-11 pm	2	2	2	2	2	2	2	2	2	2	
11 pm-12 am	1	2	1	2	1	2	1	2	1	2	
Number of Lanes that Must Remain Open, WINTER (December 15 through February 28/29)											
Hour	Monday - Wednesday		Thursday		Friday		Saturday		Sunday		
	Northbound	Southbound	Northbound	Southbound	Northbound	Southbound	Northbound	Southbound	Northbound	Southbound	
12 am-1 am	1	1	1	1	1	1	1	2	1	2	
1 am-2 am	1	1	1	1	1	1	1	1	1	1	
2 am-3 am	1	1	1	1	1	1	1	1	1	1	
3 am-4 am	1	1	1	1	1	1	1	1	1	1	
4 am-5 am	1	1	1	1	1	1	1	1	1	1	
5 am-6 am	2	1	2	2	2	2	1	1	1	1	
6 am-7 am	3	2	3	2	3	2	1	1	1	1	
7 am-8 am	3	3	3	3	3	3	2	2	1	1	
8 am-9 am	3	3	3	3	3	3	2	2	1	1	
9 am-10 am	3	3	3	3	3	3	2	2	2	2	
10 am-11 am	2	3	3	3	2	3	2	2	2	2	
11 am-12 pm	2	3	2	3	2	3	3	2	2	2	
12 pm-1 pm	2	3	2	3	2	3	3	3	3	2	
1 pm-2 pm	2	3	2	3	3	3	3	3	3	3	
2 pm-3 pm	2	3	3	3	3	3	3	3	3	3	
3 pm-4 pm	3	3	3	3	3	3	3	3	3	3	
4 pm-5 pm	3	3	3	3	3	3	3	3	3	3	
5 pm-6 pm	3	3	3	3	3	3	3	3	3	3	
6 pm-7 pm	2	3	3	3	2	3	2	3	2	3	
7 pm-8 pm	2	3	2	3	2	3	2	2	2	2	
8 pm-9 pm	2	2	2	2	2	2	2	2	2	2	
9 pm-10 pm	2	2	2	2	2	2	2	2	2	2	
10 pm-11 pm	2	2	2	2	2	2	2	2	2	2	
11 pm-12 am	1	2	1	2	1	2	1	2	1	1	

* Roadway between MP E112.0 to E112.5 not covered by Lane Closure Tables due to Int. 16E/18E ramps and toll plaza. See Table 1 in the Introduction.

**NEW JERSEY TURNPIKE EASTERLY ALIGNMENT
LANE CLOSURES: MP E112.5 TO E113.1 NB/E113.3 SB***

		# of lanes:		Northbound		Southbound		(Number of lanes may vary within section)			
				3		3					
Maintain minimum number of lanes throughout work zone as shown below regardless of total number of lanes, excluding previously approved long-term work efforts.											
Number of Lanes that Must Remain Open, SUMMER (May 15 through September 14)											
Hour	Monday - Wednesday		Thursday		Friday		Saturday		Sunday		
	Northbound	Southbound	Northbound	Southbound	Northbound	Southbound	Northbound	Southbound	Northbound	Southbound	
12 am-1 am	1	1	1	1	1	1	1	1	1	1	
1 am-2 am	1	1	1	1	1	1	1	1	1	1	
2 am-3 am	1	1	1	1	1	1	1	1	1	1	
3 am-4 am	1	1	1	1	1	1	1	1	1	1	
4 am-5 am	1	1	1	1	1	1	1	1	1	1	
5 am-6 am	1	1	1	1	1	1	1	1	1	1	
6 am-7 am	2	2	2	2	2	2	1	1	1	1	
7 am-8 am	2	3	2	3	2	3	1	1	1	1	
8 am-9 am	2	3	2	3	2	3	1	2	1	1	
9 am-10 am	2	3	2	3	2	3	1	2	1	1	
10 am-11 am	2	2	2	2	2	2	1	2	1	2	
11 am-12 pm	2	2	2	2	2	2	2	2	2	2	
12 pm-1 pm	2	2	2	2	2	2	2	2	2	2	
1 pm-2 pm	2	2	2	2	2	2	2	2	2	2	
2 pm-3 pm	2	2	2	2	2	2	2	2	2	2	
3 pm-4 pm	2	2	2	2	3	2	2	2	2	2	
4 pm-5 pm	3	2	3	2	3	2	2	2	2	2	
5 pm-6 pm	3	2	3	2	3	2	2	2	2	2	
6 pm-7 pm	3	2	3	2	3	2	2	2	2	2	
7 pm-8 pm	2	2	2	2	2	2	2	2	2	2	
8 pm-9 pm	2	1	2	1	2	2	1	1	2	2	
9 pm-10 pm	1	1	1	1	1	1	1	1	2	1	
10 pm-11 pm	1	1	1	1	1	1	1	1	1	1	
11 pm-12 am	1	1	1	1	1	1	1	1	1	1	
Number of Lanes that Must Remain Open, SPRING/FALL (March 1 through May 14, September 15 through December 14)											
Hour	Monday - Wednesday		Thursday		Friday		Saturday		Sunday		
	Northbound	Southbound	Northbound	Southbound	Northbound	Southbound	Northbound	Southbound	Northbound	Southbound	
12 am-1 am	1	1	1	1	1	1	1	1	1	1	
1 am-2 am	1	1	1	1	1	1	1	1	1	1	
2 am-3 am	1	1	1	1	1	1	1	1	1	1	
3 am-4 am	1	1	1	1	1	1	1	1	1	1	
4 am-5 am	1	1	1	1	1	1	1	1	1	1	
5 am-6 am	1	1	1	1	1	1	1	1	1	1	
6 am-7 am	2	2	2	2	2	2	1	1	1	1	
7 am-8 am	2	3	2	3	2	3	1	1	1	1	
8 am-9 am	2	3	2	3	2	3	1	2	1	1	
9 am-10 am	2	3	2	3	2	3	1	2	1	1	
10 am-11 am	2	2	2	2	2	2	1	2	1	2	
11 am-12 pm	2	2	2	2	2	2	2	2	2	2	
12 pm-1 pm	2	2	2	2	2	2	2	2	2	2	
1 pm-2 pm	2	2	2	2	2	2	2	2	2	2	
2 pm-3 pm	2	2	2	2	2	2	2	2	2	2	
3 pm-4 pm	2	2	2	2	2	2	2	2	2	2	
4 pm-5 pm	3	2	3	2	3	2	2	2	2	2	
5 pm-6 pm	3	2	3	2	3	2	2	2	2	2	
6 pm-7 pm	3	2	3	2	3	2	2	2	2	2	
7 pm-8 pm	2	2	2	2	2	2	2	2	2	2	
8 pm-9 pm	2	1	2	1	2	1	1	1	2	1	
9 pm-10 pm	1	1	1	1	1	1	1	1	1	1	
10 pm-11 pm	1	1	1	1	1	1	1	1	1	1	
11 pm-12 am	1	1	1	1	1	1	1	1	1	1	
Number of Lanes that Must Remain Open, WINTER (December 15 through February 28/29)											
Hour	Monday - Wednesday		Thursday		Friday		Saturday		Sunday		
	Northbound	Southbound	Northbound	Southbound	Northbound	Southbound	Northbound	Southbound	Northbound	Southbound	
12 am-1 am	1	1	1	1	1	1	1	1	1	1	
1 am-2 am	1	1	1	1	1	1	1	1	1	1	
2 am-3 am	1	1	1	1	1	1	1	1	1	1	
3 am-4 am	1	1	1	1	1	1	1	1	1	1	
4 am-5 am	1	1	1	1	1	1	1	1	1	1	
5 am-6 am	1	1	1	1	1	1	1	1	1	1	
6 am-7 am	2	2	2	2	2	2	1	1	1	1	
7 am-8 am	2	3	2	3	2	3	1	1	1	1	
8 am-9 am	2	3	2	3	2	3	1	1	1	1	
9 am-10 am	2	3	2	3	2	3	1	2	1	1	
10 am-11 am	2	2	2	2	2	2	1	2	1	1	
11 am-12 pm	2	2	2	2	2	2	1	2	1	2	
12 pm-1 pm	2	2	2	2	2	2	2	2	2	2	
1 pm-2 pm	2	2	2	2	2	2	2	2	2	2	
2 pm-3 pm	2	2	2	2	2	2	2	2	2	2	
3 pm-4 pm	2	2	2	2	2	2	2	2	2	2	
4 pm-5 pm	3	2	3	2	3	2	2	2	2	2	
5 pm-6 pm	3	2	3	2	3	2	2	2	2	2	
6 pm-7 pm	3	2	3	2	3	2	2	2	2	2	
7 pm-8 pm	2	2	2	2	2	2	1	2	2	1	
8 pm-9 pm	1	1	2	1	1	1	1	1	1	1	
9 pm-10 pm	1	1	1	1	1	1	1	1	1	1	
10 pm-11 pm	1	1	1	1	1	1	1	1	1	1	
11 pm-12 am	1	1	1	1	1	1	1	1	1	1	

* Roadway between MP E112.0 to E112.5 not covered by Lane Closure Tables due to Int. 16E/18E ramps and toll plaza. See Table 1 in the Introduction.

NEW JERSEY TURNPIKE EASTERLY ALIGNMENT
LANE CLOSURES: MP E113.1 NB/E113.3 SB TO E116.6 NB/E116.8 SB

of lanes: Northbound Southbound
 3 3 (Number of lanes may vary within section)

Maintain minimum number of lanes throughout work zone as shown below regardless of total number of lanes, excluding previously approved long-term work efforts.

Hour	Number of Lanes that Must Remain Open, SUMMER (May 15 through September 14)									
	Monday - Wednesday		Thursday		Friday		Saturday		Sunday	
	Northbound	Southbound	Northbound	Southbound	Northbound	Southbound	Northbound	Southbound	Northbound	Southbound
12 am-1 am	1	1	1	1	1	1	1	1	1	1
1 am-2 am	1	1	1	1	1	1	1	1	1	1
2 am-3 am	1	1	1	1	1	1	1	1	1	1
3 am-4 am	1	1	1	1	1	1	1	1	1	1
4 am-5 am	1	1	1	1	1	1	1	1	1	1
5 am-6 am	1	2	1	2	1	2	1	1	1	1
6 am-7 am	2	3	2	3	2	3	1	1	1	1
7 am-8 am	3	3	3	3	3	3	1	2	1	1
8 am-9 am	3	3	3	3	3	3	2	2	1	1
9 am-10 am	2	3	3	3	2	3	2	2	1	2
10 am-11 am	2	3	2	3	2	3	2	2	2	2
11 am-12 pm	2	2	2	3	2	3	2	2	2	2
12 pm-1 pm	2	2	2	3	2	3	2	2	2	2
1 pm-2 pm	2	2	2	3	3	3	2	2	2	3
2 pm-3 pm	3	2	3	3	3	3	2	2	2	3
3 pm-4 pm	3	3	3	3	3	3	2	2	2	2
4 pm-5 pm	3	3	3	3	3	3	2	2	2	2
5 pm-6 pm	3	3	3	3	3	3	2	2	2	2
6 pm-7 pm	3	3	3	3	3	3	2	2	2	2
7 pm-8 pm	3	2	3	2	3	2	2	2	2	2
8 pm-9 pm	2	2	2	2	2	2	2	2	2	2
9 pm-10 pm	2	2	2	2	2	2	2	2	2	2
10 pm-11 pm	2	1	2	2	2	2	2	2	2	1
11 pm-12 am	1	1	1	1	1	1	1	1	1	1

Hour	Number of Lanes that Must Remain Open, SPRING/FALL (March 1 through May 14, September 15 through December 14)									
	Monday - Wednesday		Thursday		Friday		Saturday		Sunday	
	Northbound	Southbound	Northbound	Southbound	Northbound	Southbound	Northbound	Southbound	Northbound	Southbound
12 am-1 am	1	1	1	1	1	1	1	1	1	1
1 am-2 am	1	1	1	1	1	1	1	1	1	1
2 am-3 am	1	1	1	1	1	1	1	1	1	1
3 am-4 am	1	1	1	1	1	1	1	1	1	1
4 am-5 am	1	1	1	1	1	1	1	1	1	1
5 am-6 am	1	2	1	2	1	2	1	1	1	1
6 am-7 am	2	3	2	3	2	3	1	1	1	1
7 am-8 am	3	3	3	3	3	3	1	2	1	1
8 am-9 am	3	3	3	3	3	3	2	2	1	1
9 am-10 am	2	3	2	3	2	3	2	2	1	2
10 am-11 am	2	3	2	3	2	3	2	2	2	2
11 am-12 pm	2	3	2	3	2	2	2	2	2	2
12 pm-1 pm	2	2	2	2	2	2	2	2	2	3
1 pm-2 pm	2	2	2	2	2	2	2	2	2	3
2 pm-3 pm	3	2	3	2	3	3	2	2	2	2
3 pm-4 pm	3	3	3	3	3	3	2	2	2	2
4 pm-5 pm	3	3	3	3	3	3	2	2	3	2
5 pm-6 pm	3	3	3	3	3	3	2	2	3	2
6 pm-7 pm	3	3	3	3	3	3	2	2	2	2
7 pm-8 pm	3	2	3	2	3	2	2	2	2	2
8 pm-9 pm	2	2	2	2	2	2	2	2	2	2
9 pm-10 pm	2	1	2	2	2	2	2	2	2	2
10 pm-11 pm	2	1	2	1	2	2	2	1	1	1
11 pm-12 am	1	1	1	1	1	1	1	1	1	1

Hour	Number of Lanes that Must Remain Open, WINTER (December 15 through February 28/29)									
	Monday - Wednesday		Thursday		Friday		Saturday		Sunday	
	Northbound	Southbound	Northbound	Southbound	Northbound	Southbound	Northbound	Southbound	Northbound	Southbound
12 am-1 am	1	1	1	1	1	1	1	1	1	1
1 am-2 am	1	1	1	1	1	1	1	1	1	1
2 am-3 am	1	1	1	1	1	1	1	1	1	1
3 am-4 am	1	1	1	1	1	1	1	1	1	1
4 am-5 am	1	1	1	1	1	1	1	1	1	1
5 am-6 am	1	1	1	2	1	2	1	1	1	1
6 am-7 am	2	3	2	3	2	3	1	1	1	1
7 am-8 am	3	3	3	3	3	3	1	2	1	1
8 am-9 am	3	3	3	3	3	3	2	2	1	1
9 am-10 am	2	3	2	3	2	3	2	2	1	2
10 am-11 am	2	3	2	3	2	3	2	2	1	2
11 am-12 pm	2	2	2	3	2	2	2	2	2	2
12 pm-1 pm	2	2	2	3	2	2	2	2	2	2
1 pm-2 pm	2	2	2	3	3	2	2	2	2	2
2 pm-3 pm	3	2	3	3	3	3	2	2	2	2
3 pm-4 pm	3	3	3	3	3	3	2	2	2	2
4 pm-5 pm	3	3	3	3	3	3	2	2	2	2
5 pm-6 pm	3	3	3	3	3	3	2	2	2	2
6 pm-7 pm	3	2	3	2	3	2	2	2	2	2
7 pm-8 pm	3	2	3	2	3	2	2	2	2	2
8 pm-9 pm	2	2	2	2	2	2	2	2	2	2
9 pm-10 pm	2	1	2	2	2	2	1	2	1	1
10 pm-11 pm	1	1	2	1	2	1	1	1	1	1
11 pm-12 am	1	1	1	1	1	1	1	1	1	1

NEW JERSEY TURNPIKE WESTERLY ALIGNMENT
LANE CLOSURES: MP W106.6 NB/W106.8 SB TO W108.9*

of lanes: Northbound Southbound
 3 3 (Number of lanes may vary within section)

Maintain minimum number of lanes throughout work zone as shown below regardless of total number of lanes, excluding previously approved long-term work efforts.

Hour	Number of Lanes that Must Remain Open, SUMMER (May 15 through September 14)									
	Monday - Wednesday		Thursday		Friday		Saturday		Sunday	
	Northbound	Southbound	Northbound	Southbound	Northbound	Southbound	Northbound	Southbound	Northbound	Southbound
12 am-1 am	1	1	1	1	1	1	2	2	2	2
1 am-2 am	1	1	1	1	1	1	1	1	1	1
2 am-3 am	1	1	1	1	1	1	1	1	1	1
3 am-4 am	1	1	1	1	1	1	1	1	1	1
4 am-5 am	2	1	2	1	2	1	1	1	1	1
5 am-6 am	2	2	3	2	2	2	1	1	1	1
6 am-7 am	3	3	3	3	3	3	2	2	1	1
7 am-8 am	3	3	3	3	3	3	2	2	1	1
8 am-9 am	3	3	3	3	3	3	2	2	2	2
9 am-10 am	3	3	3	3	3	3	3	2	2	2
10 am-11 am	3	3	3	3	3	3	3	3	3	2
11 am-12 pm	3	3	3	3	3	3	3	3	3	3
12 pm-1 pm	3	3	3	3	3	3	3	3	3	3
1 pm-2 pm	3	3	3	3	3	3	3	3	3	3
2 pm-3 pm	3	3	3	3	3	3	3	3	3	3
3 pm-4 pm	3	3	3	3	3	3	3	3	3	2
4 pm-5 pm	3	3	3	3	3	3	3	3	3	2
5 pm-6 pm	3	3	3	3	3	3	3	2	3	2
6 pm-7 pm	3	3	3	3	3	3	3	2	3	2
7 pm-8 pm	3	2	3	2	3	3	3	2	3	2
8 pm-9 pm	2	2	2	2	3	2	2	2	3	2
9 pm-10 pm	2	2	2	2	2	2	2	2	3	2
10 pm-11 pm	2	2	2	2	2	2	2	2	2	2
11 pm-12 am	2	1	2	2	2	2	2	2	2	1

Hour	Number of Lanes that Must Remain Open, SPRING/FALL (March 1 through May 14, September 15 through December 14)									
	Monday - Wednesday		Thursday		Friday		Saturday		Sunday	
	Northbound	Southbound	Northbound	Southbound	Northbound	Southbound	Northbound	Southbound	Northbound	Southbound
12 am-1 am	1	1	1	1	1	1	1	1	1	1
1 am-2 am	1	1	1	1	1	1	1	1	1	1
2 am-3 am	1	1	1	1	1	1	1	1	1	1
3 am-4 am	1	1	1	1	1	1	1	1	1	1
4 am-5 am	2	1	2	1	2	1	1	1	1	1
5 am-6 am	2	2	2	2	2	2	1	1	1	1
6 am-7 am	3	3	3	3	3	3	2	2	1	1
7 am-8 am	3	3	3	3	3	3	2	2	1	1
8 am-9 am	3	3	3	3	3	3	2	2	2	1
9 am-10 am	3	3	3	3	3	3	2	2	2	2
10 am-11 am	3	3	3	3	3	3	3	2	3	2
11 am-12 pm	3	3	3	3	3	3	3	2	3	2
12 pm-1 pm	3	3	3	3	3	3	3	3	3	2
1 pm-2 pm	3	3	3	3	3	3	3	3	3	3
2 pm-3 pm	3	3	3	3	3	3	3	3	3	3
3 pm-4 pm	3	3	3	3	3	3	3	3	3	3
4 pm-5 pm	3	3	3	3	3	3	3	3	3	3
5 pm-6 pm	3	3	3	3	3	3	3	2	3	3
6 pm-7 pm	3	3	3	3	3	3	3	2	3	2
7 pm-8 pm	3	2	3	2	3	2	3	2	3	2
8 pm-9 pm	2	2	2	2	2	2	2	2	3	2
9 pm-10 pm	2	2	2	2	2	2	2	2	2	2
10 pm-11 pm	2	2	2	2	2	2	2	2	2	2
11 pm-12 am	1	1	2	2	2	2	2	2	2	1

Hour	Number of Lanes that Must Remain Open, WINTER (December 15 through February 28/29)									
	Monday - Wednesday		Thursday		Friday		Saturday		Sunday	
	Northbound	Southbound	Northbound	Southbound	Northbound	Southbound	Northbound	Southbound	Northbound	Southbound
12 am-1 am	1	1	1	1	1	1	1	1	1	1
1 am-2 am	1	1	1	1	1	1	1	1	1	1
2 am-3 am	1	1	1	1	1	1	1	1	1	1
3 am-4 am	1	1	1	1	1	1	1	1	1	1
4 am-5 am	1	1	2	1	2	1	1	1	1	1
5 am-6 am	2	2	2	2	2	2	1	1	1	1
6 am-7 am	3	3	3	3	3	3	2	1	1	1
7 am-8 am	3	3	3	3	3	3	2	2	1	1
8 am-9 am	3	3	3	3	3	3	2	2	1	1
9 am-10 am	3	3	3	3	3	3	2	2	2	2
10 am-11 am	3	3	3	3	3	3	3	2	2	2
11 am-12 pm	3	3	3	3	3	3	3	2	3	2
12 pm-1 pm	3	3	3	3	3	3	3	2	3	2
1 pm-2 pm	3	3	3	3	3	3	3	2	3	2
2 pm-3 pm	3	3	3	3	3	3	3	2	3	2
3 pm-4 pm	3	3	3	3	3	3	3	3	3	2
4 pm-5 pm	3	3	3	3	3	3	3	3	3	2
5 pm-6 pm	3	3	3	3	3	3	3	2	3	2
6 pm-7 pm	3	3	3	3	3	3	3	2	3	2
7 pm-8 pm	2	2	3	2	3	2	3	2	2	2
8 pm-9 pm	2	2	2	2	2	2	2	2	2	2
9 pm-10 pm	2	2	2	2	2	2	2	2	2	2
10 pm-11 pm	2	2	2	2	2	2	2	2	2	1
11 pm-12 am	1	1	2	1	2	2	1	1	1	1

* Roadway between MP 105.7 to 106.6/106.8 not covered by Lane Closure Tables due to S. Mixing Bowl and Int. 15E ramps. See Table 1 in the Introduction.

**NEW JERSEY TURNPIKE WESTERLY ALIGNMENT
LANE CLOSURES: MP W108.9 TO W112.6**

of lanes: Northbound Southbound
3 3 (Number of lanes may vary within section)

Maintain minimum number of lanes throughout work zone as shown below regardless of total number of lanes, excluding previously approved long-term work efforts.

Hour	Number of Lanes that Must Remain Open, SUMMER (May 15 through September 14)									
	Monday - Wednesday		Thursday		Friday		Saturday		Sunday	
	Northbound	Southbound	Northbound	Southbound	Northbound	Southbound	Northbound	Southbound	Northbound	Southbound
12 am-1 am	1	1	1	1	1	1	1	2	2	2
1 am-2 am	1	1	1	1	1	1	1	1	1	1
2 am-3 am	1	1	1	1	1	1	1	1	1	1
3 am-4 am	1	1	1	1	1	1	1	1	1	1
4 am-5 am	2	1	2	1	2	1	1	1	1	1
5 am-6 am	2	2	2	2	2	2	1	1	1	1
6 am-7 am	3	3	3	3	3	3	2	2	1	1
7 am-8 am	3	3	3	3	3	3	2	2	1	1
8 am-9 am	3	3	3	3	3	3	2	2	2	2
9 am-10 am	3	3	3	3	3	3	2	3	2	2
10 am-11 am	3	3	3	3	3	3	3	3	2	2
11 am-12 pm	3	3	3	3	3	3	3	3	3	3
12 pm-1 pm	3	3	3	3	3	3	3	3	3	3
1 pm-2 pm	3	3	3	3	3	3	3	3	3	3
2 pm-3 pm	3	3	3	3	3	3	3	3	3	3
3 pm-4 pm	3	3	3	3	3	3	3	3	3	3
4 pm-5 pm	3	3	3	3	3	3	3	3	3	3
5 pm-6 pm	3	3	3	3	3	3	3	3	3	3
6 pm-7 pm	3	3	3	3	3	3	3	2	3	3
7 pm-8 pm	2	2	3	3	3	3	3	2	3	2
8 pm-9 pm	2	2	2	2	2	2	2	2	3	2
9 pm-10 pm	2	2	2	2	2	2	2	2	2	2
10 pm-11 pm	2	2	2	2	2	2	2	2	2	2
11 pm-12 am	2	2	2	2	2	2	2	2	2	2

Hour	Number of Lanes that Must Remain Open, SPRING/FALL (March 1 through May 14, September 15 through December 14)									
	Monday - Wednesday		Thursday		Friday		Saturday		Sunday	
	Northbound	Southbound	Northbound	Southbound	Northbound	Southbound	Northbound	Southbound	Northbound	Southbound
12 am-1 am	1	1	1	1	1	1	1	2	1	1
1 am-2 am	1	1	1	1	1	1	1	1	1	1
2 am-3 am	1	1	1	1	1	1	1	1	1	1
3 am-4 am	1	1	1	1	1	1	1	1	1	1
4 am-5 am	1	1	1	1	1	1	1	1	1	1
5 am-6 am	2	2	2	2	2	2	1	1	1	1
6 am-7 am	3	3	3	3	3	3	2	2	1	1
7 am-8 am	3	3	3	3	3	3	2	2	1	1
8 am-9 am	3	3	3	3	3	3	2	2	2	2
9 am-10 am	3	3	3	3	3	3	2	2	2	2
10 am-11 am	3	3	3	3	3	3	3	2	3	2
11 am-12 pm	3	3	3	3	3	3	3	2	3	2
12 pm-1 pm	3	3	3	3	3	3	3	3	3	2
1 pm-2 pm	3	3	3	3	3	3	3	3	3	3
2 pm-3 pm	3	3	3	3	3	3	3	3	3	3
3 pm-4 pm	3	3	3	3	3	3	3	3	3	3
4 pm-5 pm	3	3	3	3	3	3	3	3	3	3
5 pm-6 pm	3	3	3	3	3	3	3	3	3	3
6 pm-7 pm	3	3	3	3	3	3	3	2	3	2
7 pm-8 pm	2	2	3	3	3	3	3	2	3	2
8 pm-9 pm	2	2	2	2	2	2	2	2	2	2
9 pm-10 pm	2	2	2	2	2	2	2	2	2	2
10 pm-11 pm	2	2	2	2	2	2	2	2	2	2
11 pm-12 am	1	1	2	2	2	2	2	2	2	1

Hour	Number of Lanes that Must Remain Open, WINTER (December 15 through February 28/29)									
	Monday - Wednesday		Thursday		Friday		Saturday		Sunday	
	Northbound	Southbound	Northbound	Southbound	Northbound	Southbound	Northbound	Southbound	Northbound	Southbound
12 am-1 am	1	1	1	1	1	1	1	1	1	1
1 am-2 am	1	1	1	1	1	1	1	1	1	1
2 am-3 am	1	1	1	1	1	1	1	1	1	1
3 am-4 am	1	1	1	1	1	1	1	1	1	1
4 am-5 am	1	1	1	1	1	1	1	1	1	1
5 am-6 am	2	2	2	2	2	2	1	1	1	1
6 am-7 am	3	3	3	3	3	3	1	2	1	1
7 am-8 am	3	3	3	3	3	3	2	2	1	1
8 am-9 am	3	3	3	3	3	3	2	2	1	1
9 am-10 am	3	3	3	3	3	3	2	2	2	2
10 am-11 am	3	3	3	3	3	3	2	2	2	2
11 am-12 pm	3	3	3	3	3	3	3	2	3	2
12 pm-1 pm	3	3	3	3	3	3	3	2	3	2
1 pm-2 pm	3	3	3	3	3	3	3	2	3	2
2 pm-3 pm	3	3	3	3	3	3	3	3	3	2
3 pm-4 pm	3	3	3	3	3	3	3	3	3	3
4 pm-5 pm	3	3	3	3	3	3	3	3	3	3
5 pm-6 pm	3	3	3	3	3	3	3	2	3	2
6 pm-7 pm	3	3	3	3	3	3	3	2	2	2
7 pm-8 pm	2	2	3	2	3	2	3	2	2	2
8 pm-9 pm	2	2	2	2	2	2	2	2	2	2
9 pm-10 pm	2	2	2	2	2	2	2	2	2	2
10 pm-11 pm	2	2	2	2	2	2	2	2	2	1
11 pm-12 am	1	1	2	2	2	2	1	2	1	1

**NEW JERSEY TURNPIKE WESTERLY ALIGNMENT
LANE CLOSURES: MP W112.6 TO W116.7**

of lanes: Northbound Southbound
2 2 (Number of lanes may vary within section)

Maintain minimum number of lanes throughout work zone as shown below regardless of total number of lanes, excluding previously approved long-term work efforts.

Hour	Number of Lanes that Must Remain Open, SUMMER (May 15 through September 14)									
	Monday - Wednesday		Thursday		Friday		Saturday		Sunday	
	Northbound	Southbound	Northbound	Southbound	Northbound	Southbound	Northbound	Southbound	Northbound	Southbound
12 am-1 am	1	1	1	1	1	1	1	1	1	1
1 am-2 am	1	1	1	1	1	1	1	1	1	1
2 am-3 am	1	1	1	1	1	1	1	1	1	1
3 am-4 am	1	1	1	1	1	1	1	1	1	1
4 am-5 am	1	1	1	1	1	1	1	1	1	1
5 am-6 am	2	2	2	2	2	2	1	1	1	1
6 am-7 am	2	2	2	2	2	2	1	1	1	1
7 am-8 am	2	2	2	2	2	2	2	2	1	1
8 am-9 am	2	2	2	2	2	2	2	2	1	1
9 am-10 am	2	2	2	2	2	2	2	2	2	2
10 am-11 am	2	2	2	2	2	2	2	2	2	2
11 am-12 pm	2	2	2	2	2	2	2	2	2	2
12 pm-1 pm	2	2	2	2	2	2	2	2	2	2
1 pm-2 pm	2	2	2	2	2	2	2	2	2	2
2 pm-3 pm	2	2	2	2	2	2	2	2	2	2
3 pm-4 pm	2	2	2	2	2	2	2	2	2	2
4 pm-5 pm	2	2	2	2	2	2	2	2	2	2
5 pm-6 pm	2	2	2	2	2	2	2	2	2	2
6 pm-7 pm	2	2	2	2	2	2	2	2	2	2
7 pm-8 pm	2	2	2	2	2	2	2	2	2	2
8 pm-9 pm	2	2	2	2	2	2	2	2	2	2
9 pm-10 pm	2	2	2	2	2	2	2	2	2	2
10 pm-11 pm	2	1	2	2	2	2	2	2	2	1
11 pm-12 am	1	1	1	1	2	1	2	1	2	1

Hour	Number of Lanes that Must Remain Open, SPRING/FALL (March 1 through May 14, September 15 through December 14)									
	Monday - Wednesday		Thursday		Friday		Saturday		Sunday	
	Northbound	Southbound	Northbound	Southbound	Northbound	Southbound	Northbound	Southbound	Northbound	Southbound
12 am-1 am	1	1	1	1	1	1	1	1	1	1
1 am-2 am	1	1	1	1	1	1	1	1	1	1
2 am-3 am	1	1	1	1	1	1	1	1	1	1
3 am-4 am	1	1	1	1	1	1	1	1	1	1
4 am-5 am	1	1	1	1	1	1	1	1	1	1
5 am-6 am	2	2	2	2	2	2	1	1	1	1
6 am-7 am	2	2	2	2	2	2	1	1	1	1
7 am-8 am	2	2	2	2	2	2	2	2	1	1
8 am-9 am	2	2	2	2	2	2	2	2	1	1
9 am-10 am	2	2	2	2	2	2	2	2	2	2
10 am-11 am	2	2	2	2	2	2	2	2	2	2
11 am-12 pm	2	2	2	2	2	2	2	2	2	2
12 pm-1 pm	2	2	2	2	2	2	2	2	2	2
1 pm-2 pm	2	2	2	2	2	2	2	2	2	2
2 pm-3 pm	2	2	2	2	2	2	2	2	2	2
3 pm-4 pm	2	2	2	2	2	2	2	2	2	2
4 pm-5 pm	2	2	2	2	2	2	2	2	2	2
5 pm-6 pm	2	2	2	2	2	2	2	2	2	2
6 pm-7 pm	2	2	2	2	2	2	2	2	2	2
7 pm-8 pm	2	2	2	2	2	2	2	2	2	2
8 pm-9 pm	2	2	2	2	2	2	2	2	2	2
9 pm-10 pm	2	2	2	2	2	2	2	2	2	2
10 pm-11 pm	1	1	2	2	2	2	2	1	2	1
11 pm-12 am	1	1	1	1	2	1	1	1	1	1

Hour	Number of Lanes that Must Remain Open, WINTER (December 15 through February 28/29)									
	Monday - Wednesday		Thursday		Friday		Saturday		Sunday	
	Northbound	Southbound	Northbound	Southbound	Northbound	Southbound	Northbound	Southbound	Northbound	Southbound
12 am-1 am	1	1	1	1	1	1	1	1	1	1
1 am-2 am	1	1	1	1	1	1	1	1	1	1
2 am-3 am	1	1	1	1	1	1	1	1	1	1
3 am-4 am	1	1	1	1	1	1	1	1	1	1
4 am-5 am	1	1	1	1	1	1	1	1	1	1
5 am-6 am	2	1	2	2	2	2	1	1	1	1
6 am-7 am	2	2	2	2	2	2	1	1	1	1
7 am-8 am	2	2	2	2	2	2	1	2	1	1
8 am-9 am	2	2	2	2	2	2	2	2	1	1
9 am-10 am	2	2	2	2	2	2	2	2	1	1
10 am-11 am	2	2	2	2	2	2	2	2	2	2
11 am-12 pm	2	2	2	2	2	2	2	2	2	2
12 pm-1 pm	2	2	2	2	2	2	2	2	2	2
1 pm-2 pm	2	2	2	2	2	2	2	2	2	2
2 pm-3 pm	2	2	2	2	2	2	2	2	2	2
3 pm-4 pm	2	2	2	2	2	2	2	2	2	2
4 pm-5 pm	2	2	2	2	2	2	2	2	2	2
5 pm-6 pm	2	2	2	2	2	2	2	2	2	2
6 pm-7 pm	2	2	2	2	2	2	2	2	2	2
7 pm-8 pm	2	2	2	2	2	2	2	2	2	2
8 pm-9 pm	2	2	2	2	2	2	2	2	2	2
9 pm-10 pm	2	1	2	2	2	2	2	1	2	2
10 pm-11 pm	2	1	2	1	2	2	2	1	2	1
11 pm-12 am	1	1	1	1	1	1	1	1	1	1

NEW JERSEY TURNPIKE AUTHORITY

Lane Closure Tables **October 2009**

II. GARDEN STATE PARKWAY

GARDEN STATE PARKWAY
LANE CLOSURES: MP 0.0 TO 6.8 NB/8.0 SB

# of lanes:	Northbound	Southbound	(Number of lanes may vary within section)
	2	2	

Maintain minimum number of lanes throughout work zone as shown below regardless of total number of lanes, excluding previously approved long-term work efforts.

Hour	Number of Lanes that Must Remain Open, SUMMER (May 15 through September 14)									
	Monday		Tuesday - Thursday		Friday		Saturday		Sunday	
	Northbound	Southbound	Northbound	Southbound	Northbound	Southbound	Northbound	Southbound	Northbound	Southbound
12 am-1 am	1	1	1	1	1	1	1	1	1	1
1 am-2 am	1	1	1	1	1	1	1	1	1	1
2 am-3 am	1	1	1	1	1	1	1	1	1	1
3 am-4 am	1	1	1	1	1	1	1	1	1	1
4 am-5 am	1	1	1	1	1	1	1	1	1	1
5 am-6 am	1	1	1	1	1	1	1	1	1	1
6 am-7 am	1	1	1	1	1	1	1	1	1	1
7 am-8 am	1	1	1	1	1	1	1	1	1	1
8 am-9 am	1	1	1	1	1	1	1	1	1	1
9 am-10 am	1	1	1	1	1	1	1	1	1	1
10 am-11 am	1	1	1	1	1	1	1	1	1	1
11 am-12 pm	1	1	1	1	1	1	1	1	1	1
12 pm-1 pm	1	1	1	1	1	1	1	1	1	1
1 pm-2 pm	1	1	1	1	1	1	1	1	1	1
2 pm-3 pm	1	1	1	1	1	1	1	1	1	1
3 pm-4 pm	1	1	1	1	1	1	1	1	1	1
4 pm-5 pm	1	1	1	1	1	1	1	1	1	1
5 pm-6 pm	1	1	1	1	1	1	1	1	1	1
6 pm-7 pm	1	1	1	1	1	1	1	1	1	1
7 pm-8 pm	1	1	1	1	1	1	1	1	1	1
8 pm-9 pm	1	1	1	1	1	1	1	1	1	1
9 pm-10 pm	1	1	1	1	1	1	1	1	1	1
10 pm-11 pm	1	1	1	1	1	1	1	1	1	1
11 pm-12 am	1	1	1	1	1	1	1	1	1	1

Hour	Number of Lanes that Must Remain Open, OFF-SEASON (September 15 through May 14)									
	Monday		Tuesday - Thursday		Friday		Saturday		Sunday	
	Northbound	Southbound	Northbound	Southbound	Northbound	Southbound	Northbound	Southbound	Northbound	Southbound
12 am-1 am	1	1	1	1	1	1	1	1	1	1
1 am-2 am	1	1	1	1	1	1	1	1	1	1
2 am-3 am	1	1	1	1	1	1	1	1	1	1
3 am-4 am	1	1	1	1	1	1	1	1	1	1
4 am-5 am	1	1	1	1	1	1	1	1	1	1
5 am-6 am	1	1	1	1	1	1	1	1	1	1
6 am-7 am	1	1	1	1	1	1	1	1	1	1
7 am-8 am	1	1	1	1	1	1	1	1	1	1
8 am-9 am	1	1	1	1	1	1	1	1	1	1
9 am-10 am	1	1	1	1	1	1	1	1	1	1
10 am-11 am	1	1	1	1	1	1	1	1	1	1
11 am-12 pm	1	1	1	1	1	1	1	1	1	1
12 pm-1 pm	1	1	1	1	1	1	1	1	1	1
1 pm-2 pm	1	1	1	1	1	1	1	1	1	1
2 pm-3 pm	1	1	1	1	1	1	1	1	1	1
3 pm-4 pm	1	1	1	1	1	1	1	1	1	1
4 pm-5 pm	1	1	1	1	1	1	1	1	1	1
5 pm-6 pm	1	1	1	1	1	1	1	1	1	1
6 pm-7 pm	1	1	1	1	1	1	1	1	1	1
7 pm-8 pm	1	1	1	1	1	1	1	1	1	1
8 pm-9 pm	1	1	1	1	1	1	1	1	1	1
9 pm-10 pm	1	1	1	1	1	1	1	1	1	1
10 pm-11 pm	1	1	1	1	1	1	1	1	1	1
11 pm-12 am	1	1	1	1	1	1	1	1	1	1

GARDEN STATE PARKWAY
LANE CLOSURES: MP 6.8 NB/8.0 SB TO 11.5 NB/11.8 SB
WITHIN 1,000 FEET OF A TRAFFIC SIGNAL

of lanes: Northbound Southbound
 3 3 (Number of lanes may vary within section)

Maintain minimum number of lanes throughout work zone as shown below regardless of total number of lanes, excluding previously approved long-term work efforts.

Hour	Number of Lanes that Must Remain Open, SUMMER (May 15 through September 14)									
	Monday		Tuesday - Thursday		Friday		Saturday		Sunday	
	Northbound	Southbound	Northbound	Southbound	Northbound	Southbound	Northbound	Southbound	Northbound	Southbound
12 am-1 am	1	1	1	1	1	1	1	1	1	1
1 am-2 am	1	1	1	1	1	1	1	1	1	1
2 am-3 am	1	1	1	1	1	1	1	1	1	1
3 am-4 am	1	1	1	1	1	1	1	1	1	1
4 am-5 am	1	1	1	1	1	1	1	1	1	1
5 am-6 am	1	1	1	1	1	1	1	1	1	1
6 am-7 am	1	1	1	1	1	1	1	1	1	1
7 am-8 am	2	2	2	2	1	2	1	1	1	1
8 am-9 am	2	2	2	2	2	2	1	2	1	1
9 am-10 am	2	2	2	2	2	2	2	3	2	2
10 am-11 am	2	2	2	2	2	3	3	3	3	2
11 am-12 pm	3	3	2	3	3	3	3	3	3	3
12 pm-1 pm	3	3	2	3	3	3	3	3	3	3
1 pm-2 pm	3	3	2	3	3	3	3	3	3	3
2 pm-3 pm	3	3	3	3	3	3	3	3	3	2
3 pm-4 pm	3	3	3	3	3	3	3	3	3	2
4 pm-5 pm	3	3	3	3	3	3	3	3	3	2
5 pm-6 pm	2	2	2	2	2	3	2	3	3	2
6 pm-7 pm	2	2	2	2	2	3	2	2	2	1
7 pm-8 pm	1	1	1	2	1	2	2	2	2	1
8 pm-9 pm	1	1	1	2	1	2	2	2	2	1
9 pm-10 pm	1	1	1	1	1	2	2	1	1	1
10 pm-11 pm	1	1	1	1	1	2	1	1	1	1
11 pm-12 am	1	1	1	1	1	1	1	1	1	1

Hour	Number of Lanes that Must Remain Open, OFF-SEASON (September 15 through May 14)									
	Monday		Tuesday - Thursday		Friday		Saturday		Sunday	
	Northbound	Southbound	Northbound	Southbound	Northbound	Southbound	Northbound	Southbound	Northbound	Southbound
12 am-1 am	1	1	1	1	1	1	1	1	1	1
1 am-2 am	1	1	1	1	1	1	1	1	1	1
2 am-3 am	1	1	1	1	1	1	1	1	1	1
3 am-4 am	1	1	1	1	1	1	1	1	1	1
4 am-5 am	1	1	1	1	1	1	1	1	1	1
5 am-6 am	1	1	1	1	1	1	1	1	1	1
6 am-7 am	1	1	1	1	1	1	1	1	1	1
7 am-8 am	1	1	2	2	2	2	1	1	1	1
8 am-9 am	1	1	2	2	2	2	1	1	1	1
9 am-10 am	1	1	1	1	1	1	1	1	1	1
10 am-11 am	1	1	1	1	1	1	1	1	1	1
11 am-12 pm	1	1	1	1	1	1	1	1	1	1
12 pm-1 pm	1	1	1	1	1	1	1	1	1	1
1 pm-2 pm	1	1	1	1	1	1	1	1	1	1
2 pm-3 pm	1	1	1	1	2	2	1	1	1	1
3 pm-4 pm	2	2	2	2	2	2	1	1	1	1
4 pm-5 pm	2	2	2	2	2	2	1	1	1	1
5 pm-6 pm	1	2	1	2	1	2	1	1	1	1
6 pm-7 pm	1	1	1	1	1	1	1	1	1	1
7 pm-8 pm	1	1	1	1	1	1	1	1	1	1
8 pm-9 pm	1	1	1	1	1	1	1	1	1	1
9 pm-10 pm	1	1	1	1	1	1	1	1	1	1
10 pm-11 pm	1	1	1	1	1	1	1	1	1	1
11 pm-12 am	1	1	1	1	1	1	1	1	1	1

GARDEN STATE PARKWAY
LANE CLOSURES: MP 6.8 NB/8.0 SB TO 11.5 NB/11.8 SB
MORE THAN 1,000 FEET FROM A TRAFFIC SIGNAL

# of lanes:	Northbound	Southbound	(Number of lanes may vary within section)
	3	3	

Maintain minimum number of lanes throughout work zone as shown below regardless of total number of lanes, excluding previously approved long-term work efforts.

Hour	Number of Lanes that Must Remain Open, SUMMER (May 15 through September 14)									
	Monday		Tuesday - Thursday		Friday		Saturday		Sunday	
	Northbound	Southbound	Northbound	Southbound	Northbound	Southbound	Northbound	Southbound	Northbound	Southbound
12 am-1 am	1	1	1	1	1	1	1	1	1	1
1 am-2 am	1	1	1	1	1	1	1	1	1	1
2 am-3 am	1	1	1	1	1	1	1	1	1	1
3 am-4 am	1	1	1	1	1	1	1	1	1	1
4 am-5 am	1	1	1	1	1	1	1	1	1	1
5 am-6 am	1	1	1	1	1	1	1	1	1	1
6 am-7 am	1	1	1	1	1	1	1	1	1	1
7 am-8 am	1	1	1	1	1	1	1	1	1	1
8 am-9 am	1	1	1	1	1	1	1	1	1	1
9 am-10 am	1	1	1	1	1	1	1	2	1	1
10 am-11 am	1	1	1	1	1	1	1	2	2	1
11 am-12 pm	1	1	1	1	1	2	1	2	2	1
12 pm-1 pm	1	1	1	1	1	2	1	2	2	2
1 pm-2 pm	1	1	1	1	1	2	1	2	2	2
2 pm-3 pm	1	1	1	1	1	2	1	2	2	1
3 pm-4 pm	2	1	1	1	1	2	1	2	2	1
4 pm-5 pm	2	1	1	2	1	2	1	2	2	1
5 pm-6 pm	1	1	1	2	1	2	1	2	2	1
6 pm-7 pm	1	1	1	1	1	2	1	1	2	1
7 pm-8 pm	1	1	1	1	1	2	1	1	2	1
8 pm-9 pm	1	1	1	1	1	2	1	1	1	1
9 pm-10 pm	1	1	1	1	1	2	1	1	1	1
10 pm-11 pm	1	1	1	1	1	1	1	1	1	1
11 pm-12 am	1	1	1	1	1	1	1	1	1	1

Hour	Number of Lanes that Must Remain Open, OFF-SEASON (September 15 through May 14)									
	Monday		Tuesday - Thursday		Friday		Saturday		Sunday	
	Northbound	Southbound	Northbound	Southbound	Northbound	Southbound	Northbound	Southbound	Northbound	Southbound
12 am-1 am	1	1	1	1	1	1	1	1	1	1
1 am-2 am	1	1	1	1	1	1	1	1	1	1
2 am-3 am	1	1	1	1	1	1	1	1	1	1
3 am-4 am	1	1	1	1	1	1	1	1	1	1
4 am-5 am	1	1	1	1	1	1	1	1	1	1
5 am-6 am	1	1	1	1	1	1	1	1	1	1
6 am-7 am	1	1	1	1	1	1	1	1	1	1
7 am-8 am	1	1	1	1	1	1	1	1	1	1
8 am-9 am	1	1	1	1	1	1	1	1	1	1
9 am-10 am	1	1	1	1	1	1	1	1	1	1
10 am-11 am	1	1	1	1	1	1	1	1	1	1
11 am-12 pm	1	1	1	1	1	1	1	1	1	1
12 pm-1 pm	1	1	1	1	1	1	1	1	1	1
1 pm-2 pm	1	1	1	1	1	1	1	1	1	1
2 pm-3 pm	1	1	1	1	1	1	1	1	1	1
3 pm-4 pm	1	1	1	1	1	1	1	1	1	1
4 pm-5 pm	1	1	1	1	1	1	1	1	1	1
5 pm-6 pm	1	1	1	1	1	1	1	1	1	1
6 pm-7 pm	1	1	1	1	1	1	1	1	1	1
7 pm-8 pm	1	1	1	1	1	1	1	1	1	1
8 pm-9 pm	1	1	1	1	1	1	1	1	1	1
9 pm-10 pm	1	1	1	1	1	1	1	1	1	1
10 pm-11 pm	1	1	1	1	1	1	1	1	1	1
11 pm-12 am	1	1	1	1	1	1	1	1	1	1

GARDEN STATE PARKWAY
LANE CLOSURES: MP 25.5 TO 30.2

of lanes: Northbound Southbound (Number of lanes may vary within section)
2 2

Maintain minimum number of lanes throughout work zone as shown below regardless of total number of lanes, excluding previously approved long-term work efforts.

Hour	Number of Lanes that Must Remain Open, SUMMER (May 15 through September 14)									
	Monday		Tuesday - Thursday		Friday		Saturday		Sunday	
	Northbound	Southbound	Northbound	Southbound	Northbound	Southbound	Northbound	Southbound	Northbound	Southbound
12 am-1 am	1	1	1	1	1	1	1	1	1	1
1 am-2 am	1	1	1	1	1	1	1	1	1	1
2 am-3 am	1	1	1	1	1	1	1	1	1	1
3 am-4 am	1	1	1	1	1	1	1	1	1	1
4 am-5 am	1	1	1	1	1	1	1	1	1	1
5 am-6 am	1	1	1	1	1	1	1	1	1	1
6 am-7 am	1	1	1	1	1	1	1	1	1	1
7 am-8 am	2	1	1	1	1	1	1	1	1	1
8 am-9 am	2	1	1	1	1	1	1	1	1	1
9 am-10 am	2	1	1	1	1	1	2	2	2	1
10 am-11 am	2	1	1	1	2	2	2	2	2	1
11 am-12 pm	2	2	2	2	2	2	2	2	2	2
12 pm-1 pm	2	2	2	2	2	2	2	2	2	2
1 pm-2 pm	2	2	2	2	2	2	2	2	2	2
2 pm-3 pm	2	2	2	2	2	2	2	2	2	2
3 pm-4 pm	2	2	2	2	2	2	2	2	2	1
4 pm-5 pm	2	2	2	2	2	2	2	2	2	1
5 pm-6 pm	2	2	2	2	2	2	2	2	2	1
6 pm-7 pm	2	1	2	1	1	2	2	2	2	1
7 pm-8 pm	1	1	1	1	1	2	2	1	2	1
8 pm-9 pm	1	1	1	1	1	2	1	1	2	1
9 pm-10 pm	1	1	1	1	1	2	1	1	1	1
10 pm-11 pm	1	1	1	1	1	2	1	1	1	1
11 pm-12 am	1	1	1	1	1	1	1	1	1	1

Hour	Number of Lanes that Must Remain Open, OFF-SEASON (September 15 through May 14)									
	Monday		Tuesday - Thursday		Friday		Saturday		Sunday	
	Northbound	Southbound	Northbound	Southbound	Northbound	Southbound	Northbound	Southbound	Northbound	Southbound
12 am-1 am	1	1	1	1	1	1	1	1	1	1
1 am-2 am	1	1	1	1	1	1	1	1	1	1
2 am-3 am	1	1	1	1	1	1	1	1	1	1
3 am-4 am	1	1	1	1	1	1	1	1	1	1
4 am-5 am	1	1	1	1	1	1	1	1	1	1
5 am-6 am	1	1	1	1	1	1	1	1	1	1
6 am-7 am	1	1	1	1	1	1	1	1	1	1
7 am-8 am	1	1	1	1	1	1	1	1	1	1
8 am-9 am	1	1	1	1	1	1	1	1	1	1
9 am-10 am	1	1	1	1	1	1	1	1	1	1
10 am-11 am	1	1	1	1	1	1	1	1	1	1
11 am-12 pm	1	1	1	1	1	1	1	1	1	1
12 pm-1 pm	1	1	1	1	1	1	1	1	1	1
1 pm-2 pm	1	1	1	1	1	1	1	1	1	1
2 pm-3 pm	1	1	1	1	1	1	1	1	1	1
3 pm-4 pm	2	1	2	1	2	1	1	1	1	1
4 pm-5 pm	2	1	2	1	2	1	1	1	1	1
5 pm-6 pm	1	1	1	1	1	1	1	1	1	1
6 pm-7 pm	1	1	1	1	1	1	1	1	1	1
7 pm-8 pm	1	1	1	1	1	1	1	1	1	1
8 pm-9 pm	1	1	1	1	1	1	1	1	1	1
9 pm-10 pm	1	1	1	1	1	1	1	1	1	1
10 pm-11 pm	1	1	1	1	1	1	1	1	1	1
11 pm-12 am	1	1	1	1	1	1	1	1	1	1

**GARDEN STATE PARKWAY
LANE CLOSURES: MP 30.2 TO 64.4 NB/64.1 SB**

# of lanes:	Northbound	Southbound	(Number of lanes may vary within section)
	2	2	

Maintain minimum number of lanes throughout work zone as shown below regardless of total number of lanes, excluding previously approved long-term work efforts.

Hour	Number of Lanes that Must Remain Open, SUMMER (May 15 through September 14)									
	Monday		Tuesday - Thursday		Friday		Saturday		Sunday	
	Northbound	Southbound	Northbound	Southbound	Northbound	Southbound	Northbound	Southbound	Northbound	Southbound
12 am-1 am	1	1	1	1	1	1	1	1	2	1
1 am-2 am	1	1	1	1	1	1	1	1	2	1
2 am-3 am	1	1	1	1	1	1	1	1	1	1
3 am-4 am	1	1	1	1	1	1	1	1	1	1
4 am-5 am	1	1	1	1	1	1	1	1	1	1
5 am-6 am	1	1	1	1	1	1	1	1	1	1
6 am-7 am	1	1	1	1	1	1	1	1	1	1
7 am-8 am	1	1	1	1	1	1	1	1	1	1
8 am-9 am	1	2	1	2	1	2	1	2	1	1
9 am-10 am	1	2	1	2	1	2	1	2	2	1
10 am-11 am	2	2	1	2	2	2	2	2	2	2
11 am-12 pm	2	2	2	2	2	2	2	2	2	2
12 pm-1 pm	2	2	2	2	2	2	2	2	2	2
1 pm-2 pm	2	2	2	2	2	2	2	2	2	2
2 pm-3 pm	2	2	2	2	2	2	2	2	2	2
3 pm-4 pm	2	2	2	2	2	2	2	2	2	2
4 pm-5 pm	2	2	2	2	2	2	2	2	2	2
5 pm-6 pm	2	2	2	2	2	2	2	2	2	1
6 pm-7 pm	2	2	2	2	2	2	2	2	2	1
7 pm-8 pm	1	1	1	1	2	2	2	2	2	1
8 pm-9 pm	1	1	1	1	1	2	2	2	2	1
9 pm-10 pm	1	1	1	1	1	2	2	1	2	1
10 pm-11 pm	1	1	1	1	1	2	2	1	2	1
11 pm-12 am	1	1	1	1	1	1	2	1	1	1

Hour	Number of Lanes that Must Remain Open, OFF-SEASON (September 15 through May 14)									
	Monday		Tuesday - Thursday		Friday		Saturday		Sunday	
	Northbound	Southbound	Northbound	Southbound	Northbound	Southbound	Northbound	Southbound	Northbound	Southbound
12 am-1 am	1	1	1	1	1	1	1	1	1	1
1 am-2 am	1	1	1	1	1	1	1	1	1	1
2 am-3 am	1	1	1	1	1	1	1	1	1	1
3 am-4 am	1	1	1	1	1	1	1	1	1	1
4 am-5 am	1	1	1	1	1	1	1	1	1	1
5 am-6 am	1	1	1	1	1	1	1	1	1	1
6 am-7 am	1	1	1	1	1	1	1	1	1	1
7 am-8 am	1	1	1	2	1	1	1	1	1	1
8 am-9 am	1	1	1	2	1	1	1	1	1	1
9 am-10 am	1	1	1	1	1	1	1	1	1	1
10 am-11 am	1	1	1	1	1	1	1	1	2	1
11 am-12 pm	1	1	1	1	1	1	1	2	2	1
12 pm-1 pm	1	1	1	1	2	1	2	2	2	1
1 pm-2 pm	1	1	1	1	2	2	2	2	2	1
2 pm-3 pm	1	1	1	2	2	2	2	2	2	1
3 pm-4 pm	2	2	2	2	2	2	2	2	2	1
4 pm-5 pm	2	2	2	2	2	2	2	2	2	1
5 pm-6 pm	2	2	2	2	2	2	2	2	2	1
6 pm-7 pm	1	1	1	1	1	2	2	2	2	1
7 pm-8 pm	1	1	1	1	1	2	1	1	2	1
8 pm-9 pm	1	1	1	1	1	1	1	1	2	1
9 pm-10 pm	1	1	1	1	1	1	1	1	1	1
10 pm-11 pm	1	1	1	1	1	1	2	1	1	1
11 pm-12 am	1	1	1	1	1	1	2	1	1	1

GARDEN STATE PARKWAY
LANE CLOSURES: MP 64.4 NB/64.1 SB TO 81.0 NB/80.8 SB

	# of lanes: <u>Northbound</u> <u>Southbound</u> (Number of lanes may vary within section)
	2 2

Maintain minimum number of lanes throughout work zone as shown below regardless of total number of lanes, excluding previously approved long-term work efforts.

Hour	Number of Lanes that Must Remain Open, SUMMER (May 15 through September 14)									
	Monday		Tuesday - Thursday		Friday		Saturday		Sunday	
	Northbound	Southbound	Northbound	Southbound	Northbound	Southbound	Northbound	Southbound	Northbound	Southbound
12 am-1 am	1	1	1	1	1	1	1	1	2	1
1 am-2 am	1	1	1	1	1	1	1	1	2	1
2 am-3 am	1	1	1	1	1	1	1	1	1	1
3 am-4 am	1	1	1	1	1	1	1	1	1	1
4 am-5 am	1	1	1	1	1	1	1	1	1	1
5 am-6 am	2	1	2	1	2	1	1	1	1	1
6 am-7 am	2	1	2	1	2	1	1	1	1	1
7 am-8 am	2	2	2	2	2	2	2	2	1	1
8 am-9 am	2	2	2	2	2	2	2	2	2	1
9 am-10 am	2	2	2	2	2	2	2	2	2	2
10 am-11 am	2	2	2	2	2	2	2	2	2	2
11 am-12 pm	2	2	2	2	2	2	2	2	2	2
12 pm-1 pm	2	2	2	2	2	2	2	2	2	2
1 pm-2 pm	2	2	2	2	2	2	2	2	2	2
2 pm-3 pm	2	2	2	2	2	2	2	2	2	2
3 pm-4 pm	2	2	2	2	2	2	2	2	2	2
4 pm-5 pm	2	2	2	2	2	2	2	2	2	2
5 pm-6 pm	2	2	2	2	2	2	2	2	2	2
6 pm-7 pm	2	2	2	2	2	2	2	2	2	2
7 pm-8 pm	2	2	2	2	2	2	2	2	2	2
8 pm-9 pm	2	2	2	2	2	2	2	2	2	2
9 pm-10 pm	1	1	1	2	1	2	2	2	2	1
10 pm-11 pm	1	1	1	1	1	2	2	2	2	1
11 pm-12 am	1	1	1	1	1	2	2	2	1	1

Hour	Number of Lanes that Must Remain Open, OFF-SEASON (September 15 through May 14)									
	Monday		Tuesday - Thursday		Friday		Saturday		Sunday	
	Northbound	Southbound	Northbound	Southbound	Northbound	Southbound	Northbound	Southbound	Northbound	Southbound
12 am-1 am	1	1	1	1	1	1	1	1	2	1
1 am-2 am	1	1	1	1	1	1	1	1	1	1
2 am-3 am	1	1	1	1	1	1	1	1	1	1
3 am-4 am	1	1	1	1	1	1	1	1	1	1
4 am-5 am	1	1	1	1	1	1	1	1	1	1
5 am-6 am	2	1	2	1	2	1	1	1	1	1
6 am-7 am	2	1	2	1	2	1	1	1	1	1
7 am-8 am	2	2	2	2	2	2	2	1	1	1
8 am-9 am	2	2	2	2	2	2	2	1	1	1
9 am-10 am	2	2	2	2	2	2	2	2	2	1
10 am-11 am	2	2	2	2	2	2	2	2	2	2
11 am-12 pm	2	2	2	2	2	2	2	2	2	2
12 pm-1 pm	2	2	2	2	2	2	2	2	2	2
1 pm-2 pm	2	2	2	2	2	2	2	2	2	2
2 pm-3 pm	2	2	2	2	2	2	2	2	2	2
3 pm-4 pm	2	2	2	2	2	2	2	2	2	2
4 pm-5 pm	2	2	2	2	2	2	2	2	2	2
5 pm-6 pm	2	2	2	2	2	2	2	2	2	2
6 pm-7 pm	2	2	2	2	2	2	2	2	2	2
7 pm-8 pm	1	2	1	2	1	2	2	2	2	2
8 pm-9 pm	1	1	1	2	1	2	2	2	2	1
9 pm-10 pm	1	1	1	1	1	2	2	2	1	1
10 pm-11 pm	1	1	1	1	1	1	2	1	1	1
11 pm-12 am	1	1	1	1	1	1	2	1	1	1

GARDEN STATE PARKWAY
LANE CLOSURES: MP 81.0 NB/80.8 SB TO 83.9

of lanes: Northbound Southbound (Number of lanes may vary within section)
 3 3

Maintain minimum number of lanes throughout work zone as shown below regardless of total number of lanes, excluding previously approved long-term work efforts.

Hour	Number of Lanes that Must Remain Open, SUMMER (May 15 through September 14)									
	Monday		Tuesday - Thursday		Friday		Saturday		Sunday	
	Northbound	Southbound	Northbound	Southbound	Northbound	Southbound	Northbound	Southbound	Northbound	Southbound
12 am-1 am	1	1	1	1	1	1	1	2	2	2
1 am-2 am	1	1	1	1	1	1	1	1	1	1
2 am-3 am	1	1	1	1	1	1	1	1	1	1
3 am-4 am	1	1	1	1	1	1	1	1	1	1
4 am-5 am	1	1	1	1	1	1	1	1	1	1
5 am-6 am	3	1	2	1	2	1	1	1	1	1
6 am-7 am	3	1	3	1	3	1	2	1	1	1
7 am-8 am	3	2	3	2	3	2	2	2	2	1
8 am-9 am	3	3	3	3	3	3	2	3	2	2
9 am-10 am	3	3	3	3	3	3	3	3	3	3
10 am-11 am	3	3	3	3	3	3	3	3	3	3
11 am-12 pm	3	3	3	3	3	3	3	3	3	3
12 pm-1 pm	3	3	3	3	3	3	3	3	3	3
1 pm-2 pm	3	3	3	3	3	3	3	3	3	3
2 pm-3 pm	3	3	3	3	3	3	3	3	3	3
3 pm-4 pm	3	3	3	3	3	3	3	3	3	3
4 pm-5 pm	3	3	3	3	3	3	3	3	3	3
5 pm-6 pm	3	3	3	3	3	3	3	3	3	3
6 pm-7 pm	3	3	2	3	2	3	3	3	3	2
7 pm-8 pm	2	2	2	3	2	3	3	3	3	2
8 pm-9 pm	2	2	2	2	2	3	3	3	3	2
9 pm-10 pm	2	2	2	2	2	3	3	3	3	2
10 pm-11 pm	1	1	1	2	1	3	2	3	2	2
11 pm-12 am	1	1	1	1	1	2	2	2	2	1

Hour	Number of Lanes that Must Remain Open, OFF-SEASON (September 15 through May 14)									
	Monday		Tuesday - Thursday		Friday		Saturday		Sunday	
	Northbound	Southbound	Northbound	Southbound	Northbound	Southbound	Northbound	Southbound	Northbound	Southbound
12 am-1 am	1	1	1	1	1	1	1	1	1	1
1 am-2 am	1	1	1	1	1	1	1	1	1	1
2 am-3 am	1	1	1	1	1	1	1	1	1	1
3 am-4 am	1	1	1	1	1	1	1	1	1	1
4 am-5 am	1	1	1	1	1	1	1	1	1	1
5 am-6 am	2	1	2	1	2	1	1	1	1	1
6 am-7 am	3	1	3	1	3	1	1	1	1	1
7 am-8 am	3	2	3	2	3	2	2	1	1	1
8 am-9 am	3	2	3	2	3	2	2	2	2	1
9 am-10 am	3	2	3	2	3	2	2	2	2	2
10 am-11 am	2	2	2	2	2	2	2	3	3	3
11 am-12 pm	2	2	2	2	2	3	3	3	3	3
12 pm-1 pm	2	2	2	2	2	3	3	3	3	3
1 pm-2 pm	2	2	2	3	3	3	3	3	3	3
2 pm-3 pm	2	3	2	3	3	3	3	3	3	3
3 pm-4 pm	3	3	3	3	3	3	3	3	3	3
4 pm-5 pm	3	3	3	3	3	3	3	3	3	2
5 pm-6 pm	2	3	3	3	3	3	3	3	3	2
6 pm-7 pm	2	3	2	3	2	3	2	3	3	2
7 pm-8 pm	2	2	2	2	2	3	2	3	2	2
8 pm-9 pm	1	2	1	2	1	3	2	2	2	2
9 pm-10 pm	1	2	1	2	1	2	2	2	2	2
10 pm-11 pm	1	1	1	1	1	2	2	2	1	1
11 pm-12 am	1	1	1	1	1	2	2	2	1	1

GARDEN STATE PARKWAY
LANE CLOSURES: MP 83.9 TO 89.2 NB/89.6 SB

of lanes: Northbound Southbound (Number of lanes may vary within section)
3 3

Maintain minimum number of lanes throughout work zone as shown below regardless of total number of lanes, excluding previously approved long-term work efforts.

Hour	Number of Lanes that Must Remain Open, SUMMER (May 15 through September 14)									
	Monday		Tuesday - Thursday		Friday		Saturday		Sunday	
	Northbound	Southbound	Northbound	Southbound	Northbound	Southbound	Northbound	Southbound	Northbound	Southbound
12 am-1 am	1	1	1	1	1	1	1	1	1	1
1 am-2 am	1	1	1	1	1	1	1	1	1	1
2 am-3 am	1	1	1	1	1	1	1	1	1	1
3 am-4 am	1	1	1	1	1	1	1	1	1	1
4 am-5 am	1	1	1	1	1	1	1	1	1	1
5 am-6 am	3	1	2	1	2	1	1	1	1	1
6 am-7 am	3	1	3	1	3	1	1	1	1	1
7 am-8 am	3	2	3	2	3	2	2	2	1	1
8 am-9 am	3	2	3	2	3	2	2	3	2	2
9 am-10 am	3	2	2	2	3	2	2	3	2	2
10 am-11 am	3	2	2	2	3	2	3	3	3	3
11 am-12 pm	3	3	2	3	3	3	3	3	3	3
12 pm-1 pm	2	3	2	3	3	3	3	3	3	3
1 pm-2 pm	2	3	2	3	3	3	3	3	3	3
2 pm-3 pm	2	3	2	3	3	3	3	3	3	3
3 pm-4 pm	3	3	3	3	3	3	3	3	3	2
4 pm-5 pm	3	3	3	3	3	3	3	3	3	2
5 pm-6 pm	3	3	3	3	3	3	3	3	3	2
6 pm-7 pm	2	3	2	3	2	3	3	3	3	2
7 pm-8 pm	2	2	2	2	2	3	3	3	3	2
8 pm-9 pm	2	2	2	2	2	3	2	2	3	2
9 pm-10 pm	1	2	1	2	2	3	2	2	3	2
10 pm-11 pm	1	1	1	1	1	2	2	2	2	1
11 pm-12 am	1	1	1	1	1	2	2	2	1	1

Hour	Number of Lanes that Must Remain Open, OFF-SEASON (September 15 through May 14)									
	Monday		Tuesday - Thursday		Friday		Saturday		Sunday	
	Northbound	Southbound	Northbound	Southbound	Northbound	Southbound	Northbound	Southbound	Northbound	Southbound
12 am-1 am	1	1	1	1	1	1	1	1	1	1
1 am-2 am	1	1	1	1	1	1	1	1	1	1
2 am-3 am	1	1	1	1	1	1	1	1	1	1
3 am-4 am	1	1	1	1	1	1	1	1	1	1
4 am-5 am	1	1	1	1	1	1	1	1	1	1
5 am-6 am	2	1	2	1	2	1	1	1	1	1
6 am-7 am	3	1	3	1	3	1	1	1	1	1
7 am-8 am	3	2	3	2	3	2	2	1	1	1
8 am-9 am	3	2	3	2	3	2	2	2	1	1
9 am-10 am	2	2	2	2	2	2	2	2	2	2
10 am-11 am	2	2	2	2	2	2	2	2	2	2
11 am-12 pm	2	2	2	2	2	2	2	3	3	2
12 pm-1 pm	2	2	2	2	2	2	2	3	3	3
1 pm-2 pm	2	2	2	2	2	2	2	3	3	3
2 pm-3 pm	2	2	2	2	2	3	2	3	3	2
3 pm-4 pm	2	3	2	3	2	3	2	3	3	2
4 pm-5 pm	2	3	2	3	2	3	2	3	3	2
5 pm-6 pm	2	3	2	3	2	3	2	3	3	2
6 pm-7 pm	2	2	2	3	2	3	2	2	2	2
7 pm-8 pm	1	2	1	2	1	2	2	2	2	2
8 pm-9 pm	1	1	1	2	1	2	2	2	2	2
9 pm-10 pm	1	1	1	1	1	2	2	2	1	1
10 pm-11 pm	1	1	1	1	1	2	2	2	1	1
11 pm-12 am	1	1	1	1	1	1	1	1	1	1

GARDEN STATE PARKWAY
LANE CLOSURES: MP 89.2 NB/89.6 SB TO 93.3

of lanes: Northbound Southbound (Number of lanes may vary within section)
 3 3

Maintain minimum number of lanes throughout work zone as shown below regardless of total number of lanes, excluding previously approved long-term work efforts.

Hour	Number of Lanes that Must Remain Open, SUMMER (May 15 through September 14)									
	Monday		Tuesday - Thursday		Friday		Saturday		Sunday	
	Northbound	Southbound	Northbound	Southbound	Northbound	Southbound	Northbound	Southbound	Northbound	Southbound
12 am-1 am	1	1	1	1	1	1	1	2	2	2
1 am-2 am	1	1	1	1	1	1	1	1	2	1
2 am-3 am	1	1	1	1	1	1	1	1	1	1
3 am-4 am	1	1	1	1	1	1	1	1	1	1
4 am-5 am	1	1	1	1	1	1	1	1	1	1
5 am-6 am	3	1	3	1	3	1	1	1	1	1
6 am-7 am	3	2	3	2	3	2	2	1	1	1
7 am-8 am	3	2	3	2	3	2	2	2	2	1
8 am-9 am	3	3	3	3	3	3	3	3	2	2
9 am-10 am	3	3	3	3	3	3	3	3	3	3
10 am-11 am	3	3	3	3	3	3	3	3	3	3
11 am-12 pm	3	3	3	3	3	3	3	3	3	3
12 pm-1 pm	3	3	3	3	3	3	3	3	3	3
1 pm-2 pm	3	3	3	3	3	3	3	3	3	3
2 pm-3 pm	3	3	3	3	3	3	3	3	3	3
3 pm-4 pm	3	3	3	3	3	3	3	3	3	3
4 pm-5 pm	3	3	3	3	3	3	3	3	3	3
5 pm-6 pm	3	3	3	3	3	3	3	3	3	3
6 pm-7 pm	3	3	3	3	3	3	3	3	3	3
7 pm-8 pm	2	3	2	3	2	3	3	3	3	3
8 pm-9 pm	2	2	2	2	2	3	3	3	3	2
9 pm-10 pm	2	2	2	2	2	3	3	3	3	2
10 pm-11 pm	1	2	1	2	2	3	3	3	2	2
11 pm-12 am	1	1	1	1	1	2	2	2	2	1

Hour	Number of Lanes that Must Remain Open, OFF-SEASON (September 15 through May 14)									
	Monday		Tuesday - Thursday		Friday		Saturday		Sunday	
	Northbound	Southbound	Northbound	Southbound	Northbound	Southbound	Northbound	Southbound	Northbound	Southbound
12 am-1 am	1	1	1	1	1	1	1	1	1	1
1 am-2 am	1	1	1	1	1	1	1	1	1	1
2 am-3 am	1	1	1	1	1	1	1	1	1	1
3 am-4 am	1	1	1	1	1	1	1	1	1	1
4 am-5 am	1	1	1	1	1	1	1	1	1	1
5 am-6 am	3	1	3	1	2	1	1	1	1	1
6 am-7 am	3	1	3	1	3	1	2	1	1	1
7 am-8 am	3	2	3	2	3	2	2	2	1	1
8 am-9 am	3	2	3	3	3	2	2	2	2	1
9 am-10 am	3	2	3	3	3	2	2	2	2	2
10 am-11 am	3	2	3	3	3	2	3	3	3	3
11 am-12 pm	3	2	3	3	3	3	3	3	3	3
12 pm-1 pm	3	3	3	3	3	3	3	3	3	3
1 pm-2 pm	3	3	3	3	3	3	3	3	3	3
2 pm-3 pm	3	3	3	3	3	3	3	3	3	3
3 pm-4 pm	3	3	3	3	3	3	3	3	3	3
4 pm-5 pm	3	3	3	3	3	3	3	3	3	3
5 pm-6 pm	3	3	3	3	3	3	3	3	3	2
6 pm-7 pm	2	3	2	3	2	3	3	3	3	2
7 pm-8 pm	2	2	2	3	2	3	2	3	3	2
8 pm-9 pm	2	2	1	2	2	3	2	2	2	2
9 pm-10 pm	1	2	1	2	1	2	2	2	2	2
10 pm-11 pm	1	1	1	2	1	2	2	2	1	1
11 pm-12 am	1	1	1	1	1	2	2	2	1	1

GARDEN STATE PARKWAY
LANE CLOSURES: MP 93.3 TO 103.9*

of lanes: Northbound Southbound (Number of lanes may vary within section)
4 4

Maintain minimum number of lanes throughout work zone as shown below regardless of total number of lanes, excluding previously approved long-term work efforts.

Hour	Number of Lanes that Must Remain Open, SUMMER (May 15 through September 14)									
	Monday		Tuesday - Thursday		Friday		Saturday		Sunday	
	Northbound	Southbound	Northbound	Southbound	Northbound	Southbound	Northbound	Southbound	Northbound	Southbound
12 am-1 am	1	1	1	1	1	1	1	2	2	2
1 am-2 am	1	1	1	1	1	1	1	1	2	1
2 am-3 am	1	1	1	1	1	1	1	1	2	1
3 am-4 am	1	1	1	1	1	1	1	1	1	1
4 am-5 am	1	1	1	1	1	1	1	1	1	1
5 am-6 am	4	1	3	1	3	1	1	1	1	1
6 am-7 am	4	2	4	2	4	2	2	1	1	1
7 am-8 am	4	3	4	3	4	3	2	3	2	1
8 am-9 am	4	3	4	3	4	3	3	4	2	2
9 am-10 am	4	3	4	3	4	3	3	4	3	3
10 am-11 am	4	3	3	3	3	4	4	4	4	4
11 am-12 pm	3	4	3	4	3	4	4	4	4	4
12 pm-1 pm	3	4	3	4	3	4	4	4	4	4
1 pm-2 pm	3	4	3	4	4	4	4	4	4	4
2 pm-3 pm	4	4	3	4	4	4	4	4	4	4
3 pm-4 pm	4	4	4	4	4	4	4	4	4	4
4 pm-5 pm	4	4	4	4	4	4	4	4	4	3
5 pm-6 pm	4	4	4	4	4	4	4	4	4	3
6 pm-7 pm	3	4	3	4	3	4	4	4	4	3
7 pm-8 pm	3	3	3	3	3	4	4	4	4	3
8 pm-9 pm	2	2	2	3	2	4	4	3	4	3
9 pm-10 pm	2	2	2	2	2	4	4	3	4	2
10 pm-11 pm	2	2	2	2	2	4	3	3	3	2
11 pm-12 am	1	1	1	2	2	3	3	3	2	1

Hour	Number of Lanes that Must Remain Open, OFF-SEASON (September 15 through May 14)									
	Monday		Tuesday - Thursday		Friday		Saturday		Sunday	
	Northbound	Southbound	Northbound	Southbound	Northbound	Southbound	Northbound	Southbound	Northbound	Southbound
12 am-1 am	1	1	1	1	1	1	1	1	1	1
1 am-2 am	1	1	1	1	1	1	1	1	1	1
2 am-3 am	1	1	1	1	1	1	1	1	1	1
3 am-4 am	1	1	1	1	1	1	1	1	1	1
4 am-5 am	1	1	1	1	1	1	1	1	1	1
5 am-6 am	3	1	3	1	3	1	1	1	1	1
6 am-7 am	4	2	4	2	4	1	2	1	1	1
7 am-8 am	4	2	4	3	4	2	2	2	1	1
8 am-9 am	4	3	4	3	4	3	3	2	2	2
9 am-10 am	4	3	4	3	4	3	3	3	2	2
10 am-11 am	3	3	3	3	3	3	3	3	3	3
11 am-12 pm	3	3	3	3	3	3	3	4	4	4
12 pm-1 pm	3	3	3	3	3	3	3	4	4	4
1 pm-2 pm	3	3	3	3	3	3	3	4	4	4
2 pm-3 pm	3	3	3	3	3	4	3	4	4	3
3 pm-4 pm	3	4	3	4	3	4	3	4	4	3
4 pm-5 pm	3	4	3	4	3	4	3	4	4	3
5 pm-6 pm	3	4	3	4	3	4	3	4	4	3
6 pm-7 pm	2	4	3	4	3	4	3	3	3	3
7 pm-8 pm	2	3	2	3	2	4	3	3	3	2
8 pm-9 pm	2	2	2	2	2	3	2	3	3	2
9 pm-10 pm	1	2	1	2	2	3	2	2	2	2
10 pm-11 pm	1	1	1	2	1	2	2	2	2	1
11 pm-12 am	1	1	1	1	1	2	2	2	1	1

* Roadway between MP 103.9 to 104.2 not covered by Lane Closure Tables due to Express/Local Roadway split. See Table 1 in the Introduction.

GARDEN STATE PARKWAY
LANE CLOSURES: LOCAL ROADWAY, MP 104.2 TO 124.7*

of lanes: Northbound Southbound (Number of lanes may vary within section)
 3 3

Maintain minimum number of lanes throughout work zone as shown below regardless of total number of lanes, excluding previously approved long-term work efforts.

Hour	Number of Lanes that Must Remain Open, SUMMER (May 15 through September 14)									
	Monday		Tuesday - Thursday		Friday		Saturday		Sunday	
	Northbound	Southbound	Northbound	Southbound	Northbound	Southbound	Northbound	Southbound	Northbound	Southbound
12 am-1 am	1	1	1	1	1	1	1	1	1	1
1 am-2 am	1	1	1	1	1	1	1	1	1	1
2 am-3 am	1	1	1	1	1	1	1	1	1	1
3 am-4 am	1	1	1	1	1	1	1	1	1	1
4 am-5 am	1	1	1	1	1	1	1	1	1	1
5 am-6 am	3	1	2	1	2	1	1	1	1	1
6 am-7 am	3	1	3	1	3	1	1	1	1	1
7 am-8 am	3	2	3	2	3	2	2	2	1	1
8 am-9 am	3	2	3	2	3	2	2	3	2	2
9 am-10 am	3	2	3	2	3	2	2	3	2	2
10 am-11 am	3	2	2	2	2	2	3	3	3	3
11 am-12 pm	2	2	2	2	2	3	3	3	3	3
12 pm-1 pm	2	2	2	2	2	3	3	3	3	3
1 pm-2 pm	2	2	2	2	3	3	3	3	3	3
2 pm-3 pm	3	3	2	3	3	3	3	3	3	3
3 pm-4 pm	3	3	3	3	3	3	3	3	3	3
4 pm-5 pm	3	3	3	3	3	3	3	3	3	2
5 pm-6 pm	3	3	3	3	3	3	3	3	3	2
6 pm-7 pm	2	3	2	3	2	3	3	3	3	2
7 pm-8 pm	2	3	2	3	2	3	3	3	3	2
8 pm-9 pm	2	2	2	2	2	3	3	2	3	2
9 pm-10 pm	2	2	2	2	2	2	3	2	3	2
10 pm-11 pm	1	1	1	2	1	2	2	2	2	1
11 pm-12 am	1	1	1	1	1	2	2	2	1	1

Hour	Number of Lanes that Must Remain Open, OFF-SEASON (September 15 through May 14)									
	Monday		Tuesday - Thursday		Friday		Saturday		Sunday	
	Northbound	Southbound	Northbound	Southbound	Northbound	Southbound	Northbound	Southbound	Northbound	Southbound
12 am-1 am	1	1	1	1	1	1	1	1	1	1
1 am-2 am	1	1	1	1	1	1	1	1	1	1
2 am-3 am	1	1	1	1	1	1	1	1	1	1
3 am-4 am	1	1	1	1	1	1	1	1	1	1
4 am-5 am	1	1	1	1	1	1	1	1	1	1
5 am-6 am	2	1	2	1	2	1	1	1	1	1
6 am-7 am	3	1	3	1	3	1	1	1	1	1
7 am-8 am	3	2	3	2	3	2	2	1	1	1
8 am-9 am	3	2	3	2	3	2	2	2	1	1
9 am-10 am	3	2	3	2	3	2	2	2	2	2
10 am-11 am	2	2	2	2	2	2	2	2	2	2
11 am-12 pm	2	2	2	2	2	2	2	2	3	2
12 pm-1 pm	2	2	2	2	2	2	2	3	3	3
1 pm-2 pm	2	2	2	2	2	2	2	3	3	3
2 pm-3 pm	2	2	2	3	2	3	2	3	3	2
3 pm-4 pm	2	3	2	3	2	3	2	3	3	2
4 pm-5 pm	2	3	2	3	3	3	3	3	3	2
5 pm-6 pm	2	3	2	3	3	3	3	3	3	2
6 pm-7 pm	2	3	2	3	2	3	2	2	2	2
7 pm-8 pm	2	2	2	3	2	3	2	2	2	2
8 pm-9 pm	1	2	1	2	1	2	2	2	2	2
9 pm-10 pm	1	2	1	2	1	2	2	2	2	2
10 pm-11 pm	1	1	1	1	1	2	2	2	1	1
11 pm-12 am	1	1	1	1	1	1	1	2	1	1

* Roadway between MP 103.9 to 104.2 not covered by Lane Closure Tables due to Express/Local Roadway split. Roadway between MP 124.7 (Local) and 125.0/125.3 (Express) to 125.6/126.0 not covered by Lane Closure Tables due to Express/Local Roadway split. See Table 1 in the Introduction.

GARDEN STATE PARKWAY
LANE CLOSURES: EXPRESS ROADWAY, MP 104.2 TO 118.6 NB/117.7 SB*

# of lanes:	Northbound	Southbound	(Number of lanes may vary within section)
	2	2	

Maintain minimum number of lanes throughout work zone as shown below regardless of total number of lanes, excluding previously approved long-term work efforts.

Hour	Number of Lanes that Must Remain Open, SUMMER (May 15 through September 14)									
	Monday		Tuesday - Thursday		Friday		Saturday		Sunday	
	Northbound	Southbound	Northbound	Southbound	Northbound	Southbound	Northbound	Southbound	Northbound	Southbound
12 am-1 am	1	1	1	1	1	1	1	1	1	1
1 am-2 am	1	1	1	1	1	1	1	1	1	1
2 am-3 am	1	1	1	1	1	1	1	1	1	1
3 am-4 am	1	1	1	1	1	1	1	1	1	1
4 am-5 am	1	1	1	1	1	1	1	1	1	1
5 am-6 am	2	1	2	1	1	1	1	1	1	1
6 am-7 am	2	1	2	1	2	1	1	1	1	1
7 am-8 am	2	2	2	2	2	2	1	1	1	1
8 am-9 am	2	2	2	2	2	2	1	2	1	1
9 am-10 am	2	2	2	2	2	2	2	2	2	2
10 am-11 am	2	2	2	2	2	2	2	2	2	2
11 am-12 pm	2	2	2	2	2	2	2	2	2	2
12 pm-1 pm	2	2	2	2	2	2	2	2	2	2
1 pm-2 pm	2	2	2	2	2	2	2	2	2	2
2 pm-3 pm	2	2	2	2	2	2	2	2	2	2
3 pm-4 pm	2	2	2	2	2	2	2	2	2	2
4 pm-5 pm	2	2	2	2	2	2	2	2	2	2
5 pm-6 pm	2	2	2	2	2	2	2	2	2	2
6 pm-7 pm	2	2	2	2	2	2	2	2	2	2
7 pm-8 pm	1	2	1	2	1	2	2	2	2	2
8 pm-9 pm	1	2	1	2	1	2	2	2	2	2
9 pm-10 pm	1	1	1	2	1	2	2	2	2	1
10 pm-11 pm	1	1	1	1	1	2	2	2	1	1
11 pm-12 am	1	1	1	1	1	1	1	1	1	1

Hour	Number of Lanes that Must Remain Open, OFF-SEASON (September 15 through May 14)									
	Monday		Tuesday - Thursday		Friday		Saturday		Sunday	
	Northbound	Southbound	Northbound	Southbound	Northbound	Southbound	Northbound	Southbound	Northbound	Southbound
12 am-1 am	1	1	1	1	1	1	1	1	1	1
1 am-2 am	1	1	1	1	1	1	1	1	1	1
2 am-3 am	1	1	1	1	1	1	1	1	1	1
3 am-4 am	1	1	1	1	1	1	1	1	1	1
4 am-5 am	1	1	1	1	1	1	1	1	1	1
5 am-6 am	2	1	2	1	1	1	1	1	1	1
6 am-7 am	2	1	2	1	2	1	1	1	1	1
7 am-8 am	2	1	2	2	2	1	1	1	1	1
8 am-9 am	2	1	2	2	2	1	1	1	1	1
9 am-10 am	2	1	2	1	2	1	1	1	1	1
10 am-11 am	1	1	1	1	1	1	1	2	1	1
11 am-12 pm	1	1	1	1	1	1	2	2	2	2
12 pm-1 pm	1	1	1	1	1	2	2	2	2	2
1 pm-2 pm	1	1	1	2	2	2	2	2	2	2
2 pm-3 pm	1	2	1	2	2	2	2	2	2	2
3 pm-4 pm	1	2	1	2	2	2	2	2	2	2
4 pm-5 pm	2	2	2	2	2	2	2	2	2	2
5 pm-6 pm	2	2	2	2	2	2	2	2	2	2
6 pm-7 pm	1	2	1	2	1	2	2	2	2	2
7 pm-8 pm	1	2	1	2	1	2	1	2	2	2
8 pm-9 pm	1	1	1	2	1	2	1	1	1	1
9 pm-10 pm	1	1	1	1	1	1	1	1	1	1
10 pm-11 pm	1	1	1	1	1	1	1	1	1	1
11 pm-12 am	1	1	1	1	1	1	1	1	1	1

* Roadway between MP 103.9 to 104.2 not covered by Lane Closure Tables due to Express/Local Roadway split. See Table 1 in the Introduction

GARDEN STATE PARKWAY
LANE CLOSURES: EXPRESS ROADWAY, MP 118.6 NB/117.7 SB TO 125.3 NB/125.0 SB*

of lanes: Northbound Southbound (Number of lanes may vary within section)
 3 3

Maintain minimum number of lanes throughout work zone as shown below regardless of total number of lanes, excluding previously approved long-term work efforts.

Hour	Number of Lanes that Must Remain Open, SUMMER (May 15 through September 14)									
	Monday		Tuesday - Thursday		Friday		Saturday		Sunday	
	Northbound	Southbound	Northbound	Southbound	Northbound	Southbound	Northbound	Southbound	Northbound	Southbound
12 am-1 am	1	1	1	1	1	1	1	1	1	1
1 am-2 am	1	1	1	1	1	1	1	1	1	1
2 am-3 am	1	1	1	1	1	1	1	1	1	1
3 am-4 am	1	1	1	1	1	1	1	1	1	1
4 am-5 am	1	1	1	1	1	1	1	1	1	1
5 am-6 am	2	1	2	1	2	1	1	1	1	1
6 am-7 am	3	1	3	1	3	1	1	1	1	1
7 am-8 am	3	2	3	2	3	2	1	2	1	1
8 am-9 am	3	2	3	2	3	2	2	2	1	1
9 am-10 am	3	2	2	2	2	2	2	2	2	2
10 am-11 am	2	2	2	2	2	2	2	2	3	2
11 am-12 pm	2	2	2	2	2	2	2	3	3	2
12 pm-1 pm	2	2	2	2	2	2	2	3	3	3
1 pm-2 pm	2	2	2	2	2	2	2	3	3	3
2 pm-3 pm	2	2	2	2	2	3	2	3	3	2
3 pm-4 pm	2	3	2	3	2	3	2	3	3	2
4 pm-5 pm	2	3	2	3	2	3	3	3	3	2
5 pm-6 pm	2	3	2	3	2	3	3	2	3	2
6 pm-7 pm	2	3	2	3	2	3	2	2	3	2
7 pm-8 pm	2	2	2	2	2	3	2	2	3	2
8 pm-9 pm	2	2	1	2	1	2	2	2	3	2
9 pm-10 pm	1	1	1	2	1	2	2	2	2	1
10 pm-11 pm	1	1	1	1	1	2	2	2	2	1
11 pm-12 am	1	1	1	1	1	1	2	1	1	1

Hour	Number of Lanes that Must Remain Open, OFF-SEASON (September 15 through May 14)									
	Monday		Tuesday - Thursday		Friday		Saturday		Sunday	
	Northbound	Southbound	Northbound	Southbound	Northbound	Southbound	Northbound	Southbound	Northbound	Southbound
12 am-1 am	1	1	1	1	1	1	1	1	1	1
1 am-2 am	1	1	1	1	1	1	1	1	1	1
2 am-3 am	1	1	1	1	1	1	1	1	1	1
3 am-4 am	1	1	1	1	1	1	1	1	1	1
4 am-5 am	1	1	1	1	1	1	1	1	1	1
5 am-6 am	2	1	2	1	2	1	1	1	1	1
6 am-7 am	3	1	3	1	3	1	1	1	1	1
7 am-8 am	3	2	3	2	3	1	1	1	1	1
8 am-9 am	3	2	3	2	3	2	2	1	1	1
9 am-10 am	2	1	2	1	2	2	2	2	2	1
10 am-11 am	2	1	2	1	2	2	2	2	2	2
11 am-12 pm	2	1	2	1	2	2	2	2	2	2
12 pm-1 pm	2	1	2	1	2	2	2	2	2	2
1 pm-2 pm	2	2	2	2	2	2	2	2	2	2
2 pm-3 pm	2	2	2	2	2	2	2	2	2	2
3 pm-4 pm	2	3	2	3	2	3	2	2	2	2
4 pm-5 pm	2	3	2	3	2	3	2	2	2	2
5 pm-6 pm	2	3	2	3	2	3	2	2	2	2
6 pm-7 pm	2	3	2	3	2	3	2	2	2	2
7 pm-8 pm	1	2	1	2	1	2	2	2	2	2
8 pm-9 pm	1	1	1	2	1	2	2	2	2	2
9 pm-10 pm	1	1	1	1	1	1	1	1	1	1
10 pm-11 pm	1	1	1	1	1	1	1	1	1	1
11 pm-12 am	1	1	1	1	1	1	1	1	1	1

* Roadway between MP 124.7 (Local) and 125.0/125.3 (Express) to 125.6/126.0 not covered by Lane Closure Tables due to Express/Local Roadway split. See Table 1 in the Introduction.

GARDEN STATE PARKWAY
LANE CLOSURES: MP 127.8 TO 129.2*

of lanes: Northbound Southbound (Number of lanes may vary within section)
5 4

Maintain minimum number of lanes throughout work zone as shown below regardless of total number of lanes, excluding previously approved long-term work efforts.

Hour	Number of Lanes that Must Remain Open, SUMMER (May 15 through September 14)									
	Monday		Tuesday - Thursday		Friday		Saturday		Sunday	
	Northbound	Southbound	Northbound	Southbound	Northbound	Southbound	Northbound	Southbound	Northbound	Southbound
12 am-1 am	1	1	1	1	1	1	2	2	2	2
1 am-2 am	1	1	1	1	1	1	1	1	1	1
2 am-3 am	1	1	1	1	1	1	1	1	1	1
3 am-4 am	1	1	1	1	1	1	1	1	1	1
4 am-5 am	1	1	1	1	1	1	1	1	1	1
5 am-6 am	2	1	2	1	2	1	1	1	1	1
6 am-7 am	5	2	4	2	4	2	2	2	1	1
7 am-8 am	5	3	5	3	5	3	2	2	1	2
8 am-9 am	5	3	5	3	5	3	3	3	2	2
9 am-10 am	4	3	4	3	4	3	3	4	3	3
10 am-11 am	3	3	3	3	4	3	3	4	3	4
11 am-12 pm	3	3	3	3	4	4	4	4	4	4
12 pm-1 pm	3	3	3	3	4	4	4	4	4	4
1 pm-2 pm	3	3	3	3	4	4	4	4	4	4
2 pm-3 pm	4	4	4	4	4	4	4	4	4	4
3 pm-4 pm	4	4	4	4	4	4	4	4	4	3
4 pm-5 pm	4	4	4	4	4	4	4	4	4	3
5 pm-6 pm	4	4	4	4	4	4	4	4	4	3
6 pm-7 pm	4	4	4	4	4	4	4	4	4	3
7 pm-8 pm	3	3	3	4	3	4	4	3	4	3
8 pm-9 pm	3	3	3	3	3	4	3	3	4	3
9 pm-10 pm	2	2	2	3	3	3	3	3	3	2
10 pm-11 pm	2	2	2	2	2	3	3	3	3	2
11 pm-12 am	1	1	2	2	2	2	3	2	2	1

Hour	Number of Lanes that Must Remain Open, OFF-SEASON (September 15 through May 14)									
	Monday		Tuesday - Thursday		Friday		Saturday		Sunday	
	Northbound	Southbound	Northbound	Southbound	Northbound	Southbound	Northbound	Southbound	Northbound	Southbound
12 am-1 am	1	1	1	1	1	1	1	1	2	2
1 am-2 am	1	1	1	1	1	1	1	1	1	1
2 am-3 am	1	1	1	1	1	1	1	1	1	1
3 am-4 am	1	1	1	1	1	1	1	1	1	1
4 am-5 am	1	1	1	1	1	1	1	1	1	1
5 am-6 am	2	1	2	1	1	1	1	1	1	1
6 am-7 am	4	2	4	2	4	2	1	1	1	1
7 am-8 am	4	3	5	3	4	3	2	2	1	1
8 am-9 am	4	3	5	3	4	3	2	2	2	1
9 am-10 am	3	2	4	2	3	2	3	2	2	2
10 am-11 am	3	2	3	2	3	2	3	3	3	3
11 am-12 pm	3	2	3	2	3	2	3	3	3	3
12 pm-1 pm	3	2	3	2	3	3	3	4	3	3
1 pm-2 pm	3	3	3	3	3	3	3	4	3	3
2 pm-3 pm	3	3	3	3	3	4	3	4	3	3
3 pm-4 pm	4	4	4	4	4	4	3	4	3	3
4 pm-5 pm	4	4	4	4	4	4	3	4	3	3
5 pm-6 pm	4	4	4	4	4	4	3	4	3	3
6 pm-7 pm	3	4	3	4	3	4	3	3	3	3
7 pm-8 pm	2	3	3	4	3	4	3	3	3	3
8 pm-9 pm	2	2	2	3	2	3	2	3	3	2
9 pm-10 pm	2	2	2	2	2	2	2	2	2	2
10 pm-11 pm	2	2	2	2	2	2	2	2	2	2
11 pm-12 am	1	1	1	1	2	2	2	2	1	1

* Roadway between MP 129.2 to 129.9 not covered by Lane Closure Tables due to Interchange 129 ramps. See Table 1 in the Introduction

GARDEN STATE PARKWAY
LANE CLOSURES: MP 129.9 TO 132.1*

of lanes: Northbound Southbound (Number of lanes may vary within section)
5 5

Maintain minimum number of lanes throughout work zone as shown below regardless of total number of lanes, excluding previously approved long-term work efforts.

Hour	Number of Lanes that Must Remain Open, SUMMER (May 1 through October 14)									
	Monday		Tuesday - Thursday		Friday		Saturday		Sunday	
	Northbound	Southbound	Northbound	Southbound	Northbound	Southbound	Northbound	Southbound	Northbound	Southbound
12 am-1 am	2	1	1	1	2	2	2	2	3	2
1 am-2 am	1	1	1	1	1	1	2	2	2	2
2 am-3 am	1	1	1	1	1	1	1	1	2	1
3 am-4 am	1	1	1	1	1	1	1	1	1	1
4 am-5 am	1	1	1	1	1	1	1	1	1	1
5 am-6 am	3	1	2	1	2	1	1	1	1	1
6 am-7 am	5	3	5	3	5	2	2	2	2	2
7 am-8 am	5	4	5	4	5	4	3	4	2	2
8 am-9 am	5	4	5	4	5	4	4	5	3	3
9 am-10 am	5	4	5	4	5	4	5	5	4	4
10 am-11 am	5	5	5	5	5	5	5	5	5	5
11 am-12 pm	5	5	5	5	5	5	5	5	5	5
12 pm-1 pm	5	5	5	5	5	5	5	5	5	5
1 pm-2 pm	5	5	5	5	5	5	5	5	5	5
2 pm-3 pm	5	5	5	5	5	5	5	5	5	5
3 pm-4 pm	5	5	5	5	5	5	5	5	5	5
4 pm-5 pm	5	5	5	5	5	5	5	5	5	5
5 pm-6 pm	5	5	5	5	5	5	5	5	5	5
6 pm-7 pm	5	5	5	5	5	5	5	5	5	4
7 pm-8 pm	5	5	5	5	5	5	5	5	5	4
8 pm-9 pm	4	4	4	4	4	5	5	4	5	4
9 pm-10 pm	4	3	4	4	4	5	5	4	5	3
10 pm-11 pm	3	2	3	3	4	4	5	4	4	2
11 pm-12 am	2	2	2	2	3	3	4	3	3	2

Hour	Number of Lanes that Must Remain Open, OFF-SEASON (October 15 through April 30)									
	Monday		Tuesday - Thursday		Friday		Saturday		Sunday	
	Northbound	Southbound	Northbound	Southbound	Northbound	Southbound	Northbound	Southbound	Northbound	Southbound
12 am-1 am	1	1	1	1	1	2	2	2	2	2
1 am-2 am	1	1	1	1	1	1	1	1	2	2
2 am-3 am	1	1	1	1	1	1	1	1	1	1
3 am-4 am	1	1	1	1	1	1	1	1	1	1
4 am-5 am	1	1	1	1	1	1	1	1	1	1
5 am-6 am	2	1	2	1	2	1	1	1	1	1
6 am-7 am	5	2	5	2	5	2	2	1	1	1
7 am-8 am	5	4	5	4	5	3	3	2	2	2
8 am-9 am	5	4	5	4	5	4	4	3	2	2
9 am-10 am	5	3	5	3	5	4	4	4	3	3
10 am-11 am	5	3	5	3	5	4	5	4	4	4
11 am-12 pm	4	3	4	3	5	4	5	5	5	5
12 pm-1 pm	4	3	4	4	5	4	5	5	5	5
1 pm-2 pm	4	4	4	4	5	5	5	5	5	5
2 pm-3 pm	5	5	5	5	5	5	5	5	5	5
3 pm-4 pm	5	5	5	5	5	5	5	5	5	4
4 pm-5 pm	5	5	5	5	5	5	5	5	5	4
5 pm-6 pm	5	5	5	5	5	5	5	5	5	4
6 pm-7 pm	5	5	5	5	5	5	5	5	5	4
7 pm-8 pm	4	5	4	5	5	5	4	4	5	4
8 pm-9 pm	3	4	3	4	4	4	4	4	4	4
9 pm-10 pm	3	3	3	3	3	3	4	4	3	3
10 pm-11 pm	2	2	3	3	3	3	4	3	3	2
11 pm-12 am	2	2	2	2	3	3	3	3	2	2

* Roadway between MP 129.2 to 129.9 not covered by Lane Closure Tables due to Interchange 129 ramps. See Table 1 in the Introduction.

**GARDEN STATE PARKWAY
LANE CLOSURES: MP 132.1 TO 141.3**

of lanes: Northbound Southbound (Number of lanes may vary within section)
5 5

Maintain minimum number of lanes throughout work zone as shown below regardless of total number of lanes, excluding previously approved long-term work efforts.

Hour	Number of Lanes that Must Remain Open, SUMMER (May 1 through October 14)									
	Monday		Tuesday - Thursday		Friday		Saturday		Sunday	
	Northbound	Southbound	Northbound	Southbound	Northbound	Southbound	Northbound	Southbound	Northbound	Southbound
12 am-1 am	2	1	1	1	1	2	2	2	3	2
1 am-2 am	1	1	1	1	1	1	1	1	2	2
2 am-3 am	1	1	1	1	1	1	1	1	1	1
3 am-4 am	1	1	1	1	1	1	1	1	1	1
4 am-5 am	1	1	1	1	1	1	1	1	1	1
5 am-6 am	2	1	2	1	2	1	1	1	1	1
6 am-7 am	5	3	5	2	5	2	2	2	1	1
7 am-8 am	5	4	5	4	5	4	3	3	2	2
8 am-9 am	5	4	5	4	5	4	4	5	3	3
9 am-10 am	5	4	5	4	5	4	4	5	4	4
10 am-11 am	5	5	5	4	5	5	5	5	5	5
11 am-12 pm	5	5	5	4	5	5	5	5	5	5
12 pm-1 pm	5	5	5	4	5	5	5	5	5	5
1 pm-2 pm	5	5	5	5	5	5	5	5	5	5
2 pm-3 pm	5	5	5	5	5	5	5	5	5	5
3 pm-4 pm	5	5	5	5	5	5	5	5	5	5
4 pm-5 pm	5	5	5	5	5	5	5	5	5	5
5 pm-6 pm	5	5	5	5	5	5	5	5	5	4
6 pm-7 pm	5	5	5	5	5	5	5	5	5	4
7 pm-8 pm	4	5	4	5	5	5	5	5	5	4
8 pm-9 pm	4	4	4	4	4	5	5	4	5	4
9 pm-10 pm	3	3	3	4	4	5	5	4	5	3
10 pm-11 pm	3	2	3	3	3	4	4	4	4	2
11 pm-12 am	2	2	2	2	3	3	4	3	3	2

Hour	Number of Lanes that Must Remain Open, OFF-SEASON (October 15 through April 30)									
	Monday		Tuesday - Thursday		Friday		Saturday		Sunday	
	Northbound	Southbound	Northbound	Southbound	Northbound	Southbound	Northbound	Southbound	Northbound	Southbound
12 am-1 am	1	1	1	1	1	2	2	2	2	2
1 am-2 am	1	1	1	1	1	1	1	1	2	2
2 am-3 am	1	1	1	1	1	1	1	1	1	1
3 am-4 am	1	1	1	1	1	1	1	1	1	1
4 am-5 am	1	1	1	1	1	1	1	1	1	1
5 am-6 am	2	1	2	1	2	1	1	1	1	1
6 am-7 am	5	2	5	2	5	2	2	2	1	1
7 am-8 am	5	4	5	4	5	3	3	2	2	2
8 am-9 am	5	4	5	4	5	4	4	3	2	2
9 am-10 am	5	3	5	4	5	4	4	4	3	3
10 am-11 am	4	3	4	4	5	4	4	4	4	4
11 am-12 pm	4	3	4	4	5	4	5	5	5	5
12 pm-1 pm	4	4	4	4	5	4	5	5	5	5
1 pm-2 pm	4	4	4	4	5	5	5	5	5	5
2 pm-3 pm	5	5	5	5	5	5	5	5	5	5
3 pm-4 pm	5	5	5	5	5	5	5	5	5	5
4 pm-5 pm	5	5	5	5	5	5	5	5	5	5
5 pm-6 pm	5	5	5	5	5	5	5	5	5	5
6 pm-7 pm	5	5	5	5	5	5	5	5	5	4
7 pm-8 pm	4	5	4	5	4	5	4	4	4	4
8 pm-9 pm	3	4	3	4	3	4	4	4	4	4
9 pm-10 pm	3	3	3	3	3	4	3	4	3	3
10 pm-11 pm	2	2	2	3	3	3	3	3	3	2
11 pm-12 am	2	2	2	2	2	3	3	3	2	2

**GARDEN STATE PARKWAY
LANE CLOSURES: MP 141.3 TO 146.7**

of lanes: Northbound Southbound (Number of lanes may vary within section)
4 4

Maintain minimum number of lanes throughout work zone as shown below regardless of total number of lanes, excluding previously approved long-term work efforts.

Hour	Number of Lanes that Must Remain Open, SUMMER (May 1 through October 14)									
	Monday		Tuesday - Thursday		Friday		Saturday		Sunday	
	Northbound	Southbound	Northbound	Southbound	Northbound	Southbound	Northbound	Southbound	Northbound	Southbound
12 am-1 am	2	1	1	1	1	2	2	2	3	2
1 am-2 am	1	1	1	1	1	1	2	2	2	2
2 am-3 am	1	1	1	1	1	1	1	1	1	1
3 am-4 am	1	1	1	1	1	1	1	1	1	1
4 am-5 am	1	1	1	1	1	1	1	1	1	1
5 am-6 am	2	2	2	2	2	2	1	1	1	1
6 am-7 am	4	4	4	4	4	4	2	2	1	2
7 am-8 am	4	4	4	4	4	4	3	4	2	2
8 am-9 am	4	4	4	4	4	4	4	4	2	3
9 am-10 am	4	4	4	4	4	4	4	4	3	4
10 am-11 am	4	4	4	4	4	4	4	4	4	4
11 am-12 pm	4	4	4	4	4	4	4	4	4	4
12 pm-1 pm	4	4	4	4	4	4	4	4	4	4
1 pm-2 pm	4	4	4	4	4	4	4	4	4	4
2 pm-3 pm	4	4	4	4	4	4	4	4	4	4
3 pm-4 pm	4	4	4	4	4	4	4	4	4	4
4 pm-5 pm	4	4	4	4	4	4	4	4	4	4
5 pm-6 pm	4	4	4	4	4	4	4	4	4	4
6 pm-7 pm	4	4	4	4	4	4	4	4	4	4
7 pm-8 pm	4	4	4	4	4	4	4	4	4	4
8 pm-9 pm	3	4	3	4	4	4	4	4	4	4
9 pm-10 pm	3	3	3	3	3	4	4	4	4	4
10 pm-11 pm	3	2	3	3	3	4	4	4	4	3
11 pm-12 am	2	2	2	2	3	3	4	3	3	2

Hour	Number of Lanes that Must Remain Open, OFF-SEASON (October 15 through April 30)									
	Monday		Tuesday - Thursday		Friday		Saturday		Sunday	
	Northbound	Southbound	Northbound	Southbound	Northbound	Southbound	Northbound	Southbound	Northbound	Southbound
12 am-1 am	1	1	1	1	1	1	2	2	2	2
1 am-2 am	1	1	1	1	1	1	1	1	1	1
2 am-3 am	1	1	1	1	1	1	1	1	1	1
3 am-4 am	1	1	1	1	1	1	1	1	1	1
4 am-5 am	1	1	1	1	1	1	1	1	1	1
5 am-6 am	2	2	2	2	2	2	1	1	1	1
6 am-7 am	4	4	4	4	4	4	2	2	1	1
7 am-8 am	4	4	4	4	4	4	3	3	2	2
8 am-9 am	4	4	4	4	4	4	3	4	2	2
9 am-10 am	4	4	4	4	4	4	4	4	3	3
10 am-11 am	4	4	4	4	4	4	4	4	4	4
11 am-12 pm	4	4	4	4	4	4	4	4	4	4
12 pm-1 pm	4	4	4	4	4	4	4	4	4	4
1 pm-2 pm	4	4	4	4	4	4	4	4	4	4
2 pm-3 pm	4	4	4	4	4	4	4	4	4	4
3 pm-4 pm	4	4	4	4	4	4	4	4	4	4
4 pm-5 pm	4	4	4	4	4	4	4	4	4	4
5 pm-6 pm	4	4	4	4	4	4	4	4	4	4
6 pm-7 pm	4	4	4	4	4	4	4	4	4	4
7 pm-8 pm	4	4	4	4	4	4	4	4	4	4
8 pm-9 pm	3	3	3	3	3	4	4	4	4	4
9 pm-10 pm	3	3	3	3	3	3	3	3	3	3
10 pm-11 pm	2	2	2	3	3	3	3	3	2	2
11 pm-12 am	2	2	2	2	2	3	3	3	2	2

GARDEN STATE PARKWAY
LANE CLOSURES: MP 146.7 TO 155.8

of lanes: Northbound Southbound (Number of lanes may vary within section)
 3 3

Maintain minimum number of lanes throughout work zone as shown below regardless of total number of lanes, excluding previously approved long-term work efforts.

Hour	Number of Lanes that Must Remain Open, SUMMER (May 1 through October 14)									
	Monday		Tuesday - Thursday		Friday		Saturday		Sunday	
	Northbound	Southbound	Northbound	Southbound	Northbound	Southbound	Northbound	Southbound	Northbound	Southbound
12 am-1 am	1	1	1	1	1	1	1	2	2	2
1 am-2 am	1	1	1	1	1	1	1	1	1	1
2 am-3 am	1	1	1	1	1	1	1	1	1	1
3 am-4 am	1	1	1	1	1	1	1	1	1	1
4 am-5 am	1	1	1	1	1	1	1	1	1	1
5 am-6 am	1	2	1	2	1	2	1	1	1	1
6 am-7 am	3	3	3	3	3	3	2	2	1	1
7 am-8 am	3	3	3	3	3	3	3	3	1	2
8 am-9 am	3	3	3	3	3	3	3	3	2	2
9 am-10 am	3	3	3	3	3	3	3	3	2	3
10 am-11 am	3	3	3	3	3	3	3	3	3	3
11 am-12 pm	3	3	3	3	3	3	3	3	3	3
12 pm-1 pm	3	3	3	3	3	3	3	3	3	3
1 pm-2 pm	3	3	3	3	3	3	3	3	3	3
2 pm-3 pm	3	3	3	3	3	3	3	3	3	3
3 pm-4 pm	3	3	3	3	3	3	3	3	3	3
4 pm-5 pm	3	3	3	3	3	3	3	3	3	3
5 pm-6 pm	3	3	3	3	3	3	3	3	3	3
6 pm-7 pm	3	3	3	3	3	3	3	3	3	3
7 pm-8 pm	3	3	3	3	3	3	3	3	3	3
8 pm-9 pm	2	3	2	3	3	3	3	3	3	3
9 pm-10 pm	2	3	2	3	2	3	3	3	3	3
10 pm-11 pm	1	2	2	2	2	3	2	3	2	2
11 pm-12 am	1	2	1	2	2	3	2	3	2	2

Hour	Number of Lanes that Must Remain Open, OFF-SEASON (October 15 through April 30)									
	Monday		Tuesday - Thursday		Friday		Saturday		Sunday	
	Northbound	Southbound	Northbound	Southbound	Northbound	Southbound	Northbound	Southbound	Northbound	Southbound
12 am-1 am	1	1	1	1	1	1	1	2	1	2
1 am-2 am	1	1	1	1	1	1	1	1	1	1
2 am-3 am	1	1	1	1	1	1	1	1	1	1
3 am-4 am	1	1	1	1	1	1	1	1	1	1
4 am-5 am	1	1	1	1	1	1	1	1	1	1
5 am-6 am	1	2	1	2	1	2	1	1	1	1
6 am-7 am	3	3	3	3	3	3	2	2	1	1
7 am-8 am	3	3	3	3	3	3	2	2	1	2
8 am-9 am	3	3	3	3	3	3	3	3	2	2
9 am-10 am	3	3	3	3	3	3	3	3	2	2
10 am-11 am	3	3	3	3	3	3	3	3	3	3
11 am-12 pm	3	3	3	3	3	3	3	3	3	3
12 pm-1 pm	3	3	3	3	3	3	3	3	3	3
1 pm-2 pm	3	3	3	3	3	3	3	3	3	3
2 pm-3 pm	3	3	3	3	3	3	3	3	3	3
3 pm-4 pm	3	3	3	3	3	3	3	3	3	3
4 pm-5 pm	3	3	3	3	3	3	3	3	3	3
5 pm-6 pm	3	3	3	3	3	3	3	3	3	3
6 pm-7 pm	3	3	3	3	3	3	3	3	3	3
7 pm-8 pm	3	3	3	3	3	3	3	3	3	3
8 pm-9 pm	2	3	2	3	2	3	2	3	2	3
9 pm-10 pm	2	2	2	3	2	3	2	3	2	2
10 pm-11 pm	1	2	1	2	2	3	2	3	2	2
11 pm-12 am	1	2	1	2	1	2	2	2	1	1

GARDEN STATE PARKWAY
LANE CLOSURES: MP 155.8 TO 163.2 NB/162.9 SB

of lanes: Northbound Southbound (Number of lanes may vary within section)
 3 3

Maintain minimum number of lanes throughout work zone as shown below regardless of total number of lanes, excluding previously approved long-term work efforts.

Hour	Number of Lanes that Must Remain Open, SUMMER (May 1 through October 14)									
	Monday		Tuesday - Thursday		Friday		Saturday		Sunday	
	Northbound	Southbound	Northbound	Southbound	Northbound	Southbound	Northbound	Southbound	Northbound	Southbound
12 am-1 am	1	1	1	1	1	1	1	1	1	1
1 am-2 am	1	1	1	1	1	1	1	1	1	1
2 am-3 am	1	1	1	1	1	1	1	1	1	1
3 am-4 am	1	1	1	1	1	1	1	1	1	1
4 am-5 am	1	1	1	1	1	1	1	1	1	1
5 am-6 am	1	1	1	1	1	1	1	1	1	1
6 am-7 am	3	3	3	3	3	3	2	1	1	1
7 am-8 am	3	3	3	3	3	3	2	2	1	1
8 am-9 am	3	3	3	3	3	3	3	3	2	2
9 am-10 am	3	3	3	3	3	3	3	3	2	2
10 am-11 am	3	3	3	3	3	3	3	3	3	3
11 am-12 pm	3	3	3	3	3	3	3	3	3	3
12 pm-1 pm	3	3	3	3	3	3	3	3	3	3
1 pm-2 pm	3	3	3	3	3	3	3	3	3	3
2 pm-3 pm	3	3	3	3	3	3	3	3	3	3
3 pm-4 pm	3	3	3	3	3	3	3	3	3	3
4 pm-5 pm	3	3	3	3	3	3	3	3	3	3
5 pm-6 pm	3	3	3	3	3	3	3	3	3	3
6 pm-7 pm	3	3	3	3	3	3	3	3	3	3
7 pm-8 pm	3	3	3	3	3	3	3	3	3	3
8 pm-9 pm	2	2	2	2	3	3	2	2	3	3
9 pm-10 pm	2	2	2	2	2	2	2	2	2	2
10 pm-11 pm	1	1	2	2	2	2	2	2	2	2
11 pm-12 am	1	1	1	1	2	2	2	2	1	1

Hour	Number of Lanes that Must Remain Open, OFF-SEASON (October 15 through April 30)									
	Monday		Tuesday - Thursday		Friday		Saturday		Sunday	
	Northbound	Southbound	Northbound	Southbound	Northbound	Southbound	Northbound	Southbound	Northbound	Southbound
12 am-1 am	1	1	1	1	1	1	1	1	1	1
1 am-2 am	1	1	1	1	1	1	1	1	1	1
2 am-3 am	1	1	1	1	1	1	1	1	1	1
3 am-4 am	1	1	1	1	1	1	1	1	1	1
4 am-5 am	1	1	1	1	1	1	1	1	1	1
5 am-6 am	1	1	1	1	1	1	1	1	1	1
6 am-7 am	3	2	3	2	3	2	1	1	1	1
7 am-8 am	3	3	3	3	3	3	2	2	1	1
8 am-9 am	3	3	3	3	3	3	3	2	1	1
9 am-10 am	3	3	3	3	3	3	3	3	2	2
10 am-11 am	3	3	3	3	3	3	3	3	2	3
11 am-12 pm	3	3	3	3	3	3	3	3	3	3
12 pm-1 pm	3	3	3	3	3	3	3	3	3	3
1 pm-2 pm	3	3	3	3	3	3	3	3	3	3
2 pm-3 pm	3	3	3	3	3	3	3	3	3	3
3 pm-4 pm	3	3	3	3	3	3	3	3	3	3
4 pm-5 pm	3	3	3	3	3	3	3	3	3	3
5 pm-6 pm	3	3	3	3	3	3	3	3	3	3
6 pm-7 pm	3	3	3	3	3	3	3	3	3	3
7 pm-8 pm	3	3	3	3	3	3	3	3	2	3
8 pm-9 pm	2	2	2	2	2	2	2	2	2	2
9 pm-10 pm	2	2	2	2	2	2	2	2	2	2
10 pm-11 pm	1	1	2	1	2	2	2	2	1	1
11 pm-12 am	1	1	1	1	1	1	2	2	1	1

GARDEN STATE PARKWAY
LANE CLOSURES: MP 163.2 NB/162.9 SB TO 167.3

of lanes: Northbound Southbound (Number of lanes may vary within section)
 3 3

Maintain minimum number of lanes throughout work zone as shown below regardless of total number of lanes, excluding previously approved long-term work efforts.

Hour	Number of Lanes that Must Remain Open, SUMMER (May 1 through October 14)									
	Monday		Tuesday - Thursday		Friday		Saturday		Sunday	
	Northbound	Southbound	Northbound	Southbound	Northbound	Southbound	Northbound	Southbound	Northbound	Southbound
12 am-1 am	1	1	1	1	1	1	1	1	1	1
1 am-2 am	1	1	1	1	1	1	1	1	1	1
2 am-3 am	1	1	1	1	1	1	1	1	1	1
3 am-4 am	1	1	1	1	1	1	1	1	1	1
4 am-5 am	1	1	1	1	1	1	1	1	1	1
5 am-6 am	1	1	1	1	1	1	1	1	1	1
6 am-7 am	2	2	2	2	2	2	1	1	1	1
7 am-8 am	3	3	3	3	3	3	1	1	1	1
8 am-9 am	3	3	3	3	3	3	2	2	1	1
9 am-10 am	2	2	2	2	2	2	2	2	2	2
10 am-11 am	2	2	2	2	2	2	2	2	2	2
11 am-12 pm	2	2	2	2	2	2	2	2	2	2
12 pm-1 pm	2	2	2	2	2	2	3	2	2	2
1 pm-2 pm	2	2	2	2	3	3	3	2	2	2
2 pm-3 pm	2	2	2	2	3	3	2	2	2	2
3 pm-4 pm	2	2	2	3	3	3	2	2	2	2
4 pm-5 pm	3	3	3	3	3	3	2	2	2	2
5 pm-6 pm	3	3	3	3	3	3	2	2	2	2
6 pm-7 pm	3	3	3	3	3	3	2	2	2	2
7 pm-8 pm	2	2	2	2	2	2	2	2	2	2
8 pm-9 pm	2	2	2	2	2	2	2	2	2	2
9 pm-10 pm	1	1	2	1	2	2	2	2	2	2
10 pm-11 pm	1	1	1	1	1	1	2	1	1	1
11 pm-12 am	1	1	1	1	1	1	1	1	1	1

Hour	Number of Lanes that Must Remain Open, OFF-SEASON (October 15 through April 30)									
	Monday		Tuesday - Thursday		Friday		Saturday		Sunday	
	Northbound	Southbound	Northbound	Southbound	Northbound	Southbound	Northbound	Southbound	Northbound	Southbound
12 am-1 am	1	1	1	1	1	1	1	1	1	1
1 am-2 am	1	1	1	1	1	1	1	1	1	1
2 am-3 am	1	1	1	1	1	1	1	1	1	1
3 am-4 am	1	1	1	1	1	1	1	1	1	1
4 am-5 am	1	1	1	1	1	1	1	1	1	1
5 am-6 am	1	1	1	1	1	1	1	1	1	1
6 am-7 am	2	2	2	2	2	2	1	1	1	1
7 am-8 am	3	3	3	3	3	3	1	1	1	1
8 am-9 am	3	3	3	3	3	3	2	2	1	1
9 am-10 am	2	2	2	2	2	2	2	2	1	1
10 am-11 am	2	2	2	2	2	2	2	2	2	2
11 am-12 pm	2	2	2	2	2	2	2	2	2	2
12 pm-1 pm	2	2	2	2	2	2	2	2	2	2
1 pm-2 pm	2	2	2	2	2	2	2	2	2	2
2 pm-3 pm	2	2	2	2	3	2	2	2	2	2
3 pm-4 pm	2	2	2	3	3	3	2	2	2	2
4 pm-5 pm	3	3	3	3	3	3	2	2	2	2
5 pm-6 pm	3	3	3	3	3	3	2	2	2	2
6 pm-7 pm	3	3	3	3	3	3	2	2	2	2
7 pm-8 pm	2	2	2	2	2	2	2	2	2	2
8 pm-9 pm	1	1	2	1	2	2	2	1	2	2
9 pm-10 pm	1	1	1	1	1	1	2	1	1	1
10 pm-11 pm	1	1	1	1	1	1	1	1	1	1
11 pm-12 am	1	1	1	1	1	1	1	1	1	1

GARDEN STATE PARKWAY
LANE CLOSURES: MP 167.3 TO 172.4 (END)

of lanes: Northbound Southbound (Number of lanes may vary within section)
 2 2

Maintain minimum number of lanes throughout work zone as shown below regardless of total number of lanes, excluding previously approved long-term work efforts.

Hour	Number of Lanes that Must Remain Open, SUMMER (May 1 through October 14)									
	Monday		Tuesday - Thursday		Friday		Saturday		Sunday	
	Northbound	Southbound	Northbound	Southbound	Northbound	Southbound	Northbound	Southbound	Northbound	Southbound
12 am-1 am	1	1	1	1	1	1	1	1	1	1
1 am-2 am	1	1	1	1	1	1	1	1	1	1
2 am-3 am	1	1	1	1	1	1	1	1	1	1
3 am-4 am	1	1	1	1	1	1	1	1	1	1
4 am-5 am	1	1	1	1	1	1	1	1	1	1
5 am-6 am	1	1	1	1	1	1	1	1	1	1
6 am-7 am	2	1	2	1	1	1	1	1	1	1
7 am-8 am	2	2	2	2	2	2	1	1	1	1
8 am-9 am	2	2	2	2	2	2	1	1	1	1
9 am-10 am	2	2	2	2	2	2	2	2	1	1
10 am-11 am	2	2	2	2	2	2	2	2	2	2
11 am-12 pm	2	2	2	2	2	2	2	2	2	2
12 pm-1 pm	2	2	2	2	2	2	2	2	2	2
1 pm-2 pm	2	2	2	2	2	2	2	2	2	2
2 pm-3 pm	2	2	2	2	2	2	2	2	2	2
3 pm-4 pm	2	2	2	2	2	2	2	2	2	2
4 pm-5 pm	2	2	2	2	2	2	2	2	2	2
5 pm-6 pm	2	2	2	2	2	2	2	2	2	2
6 pm-7 pm	2	2	2	2	2	2	2	2	2	2
7 pm-8 pm	2	2	2	2	2	2	1	2	2	2
8 pm-9 pm	1	1	1	1	1	2	1	1	2	2
9 pm-10 pm	1	1	1	1	1	1	1	1	1	1
10 pm-11 pm	1	1	1	1	1	1	1	1	1	1
11 pm-12 am	1	1	1	1	1	1	1	1	1	1

Hour	Number of Lanes that Must Remain Open, OFF-SEASON (October 15 through April 30)									
	Monday		Tuesday - Thursday		Friday		Saturday		Sunday	
	Northbound	Southbound	Northbound	Southbound	Northbound	Southbound	Northbound	Southbound	Northbound	Southbound
12 am-1 am	1	1	1	1	1	1	1	1	1	1
1 am-2 am	1	1	1	1	1	1	1	1	1	1
2 am-3 am	1	1	1	1	1	1	1	1	1	1
3 am-4 am	1	1	1	1	1	1	1	1	1	1
4 am-5 am	1	1	1	1	1	1	1	1	1	1
5 am-6 am	1	1	1	1	1	1	1	1	1	1
6 am-7 am	1	1	1	1	1	1	1	1	1	1
7 am-8 am	2	2	2	2	2	2	1	1	1	1
8 am-9 am	2	2	2	2	2	2	1	1	1	1
9 am-10 am	2	2	2	2	2	2	1	1	1	1
10 am-11 am	1	2	1	2	2	2	1	2	1	1
11 am-12 pm	1	2	1	2	2	2	2	2	2	2
12 pm-1 pm	1	2	1	2	2	2	2	2	2	2
1 pm-2 pm	2	2	1	2	2	2	2	2	2	2
2 pm-3 pm	2	2	2	2	2	2	2	2	2	2
3 pm-4 pm	2	2	2	2	2	2	2	2	2	2
4 pm-5 pm	2	2	2	2	2	2	2	2	2	2
5 pm-6 pm	2	2	2	2	2	2	2	2	2	2
6 pm-7 pm	2	2	2	2	2	2	2	2	1	2
7 pm-8 pm	2	1	2	2	2	2	1	1	1	1
8 pm-9 pm	1	1	1	1	1	1	1	1	1	1
9 pm-10 pm	1	1	1	1	1	1	1	1	1	1
10 pm-11 pm	1	1	1	1	1	1	1	1	1	1
11 pm-12 am	1	1	1	1	1	1	1	1	1	1

NEW JERSEY TURNPIKE AUTHORITY

SHOULDER CLOSURE TABLES

OCTOBER 2009

NEW JERSEY TURNPIKE AUTHORITY

Shoulder Closure Tables **October 2009**

I. NEW JERSEY TURNPIKE

**NEW JERSEY TURNPIKE MAINLINE
SHOULDER CLOSURES: MP 0.0 TO 13.0**

# of lanes:	Northbound	Southbound	(Number of lanes may vary within section)
	2	2	

Shoulder may not be closed during shaded hours below, excluding previously approved long-term work efforts. If no boxes are shaded, shoulder closures are permitted at all times (other than Holidays/Heavy Traffic Days or as dictated by the NJTA Operations Department).

Hour	SUMMER (May 15 through September 14)									
	Monday - Wednesday		Thursday		Friday		Saturday		Sunday	
	Northbound	Southbound	Northbound	Southbound	Northbound	Southbound	Northbound	Southbound	Northbound	Southbound
12 am-1 am										
1 am-2 am										
2 am-3 am										
3 am-4 am										
4 am-5 am										
5 am-6 am										
6 am-7 am										
7 am-8 am										
8 am-9 am										
9 am-10 am										
10 am-11 am										
11 am-12 pm										
12 pm-1 pm										
1 pm-2 pm										
2 pm-3 pm										
3 pm-4 pm										
4 pm-5 pm										
5 pm-6 pm										
6 pm-7 pm										
7 pm-8 pm										
8 pm-9 pm										
9 pm-10 pm										
10 pm-11 pm										
11 pm-12 am										

Hour	OFF-SEASON (September 15 through May 14)									
	Monday - Wednesday		Thursday		Friday		Saturday		Sunday	
	Northbound	Southbound	Northbound	Southbound	Northbound	Southbound	Northbound	Southbound	Northbound	Southbound
12 am-1 am										
1 am-2 am										
2 am-3 am										
3 am-4 am										
4 am-5 am										
5 am-6 am										
6 am-7 am										
7 am-8 am										
8 am-9 am										
9 am-10 am										
10 am-11 am										
11 am-12 pm										
12 pm-1 pm										
1 pm-2 pm										
2 pm-3 pm										
3 pm-4 pm										
4 pm-5 pm										
5 pm-6 pm										
6 pm-7 pm										
7 pm-8 pm										
8 pm-9 pm										
9 pm-10 pm										
10 pm-11 pm										
11 pm-12 am										

**NEW JERSEY TURNPIKE MAINLINE
SHOULDER CLOSURES: MP 13.0 TO 26.1**

# of lanes:	Northbound	Southbound	(Number of lanes may vary within section)
	2	2	

Shoulder may not be closed during shaded hours below, excluding previously approved long-term work efforts. If no boxes are shaded, shoulder closures are permitted at all times (other than Holidays/Heavy Traffic Days or as dictated by the NJTA Operations Department).

Hour	SUMMER (May 15 through September 14)									
	Monday - Wednesday		Thursday		Friday		Saturday		Sunday	
	Northbound	Southbound	Northbound	Southbound	Northbound	Southbound	Northbound	Southbound	Northbound	Southbound
12 am-1 am										
1 am-2 am										
2 am-3 am										
3 am-4 am										
4 am-5 am										
5 am-6 am										
6 am-7 am										
7 am-8 am										
8 am-9 am										
9 am-10 am										
10 am-11 am										
11 am-12 pm										
12 pm-1 pm										
1 pm-2 pm										
2 pm-3 pm										
3 pm-4 pm										
4 pm-5 pm										
5 pm-6 pm										
6 pm-7 pm										
7 pm-8 pm										
8 pm-9 pm										
9 pm-10 pm										
10 pm-11 pm										
11 pm-12 am										

Hour	OFF-SEASON (September 15 through May 14)									
	Monday - Wednesday		Thursday		Friday		Saturday		Sunday	
	Northbound	Southbound	Northbound	Southbound	Northbound	Southbound	Northbound	Southbound	Northbound	Southbound
12 am-1 am										
1 am-2 am										
2 am-3 am										
3 am-4 am										
4 am-5 am										
5 am-6 am										
6 am-7 am										
7 am-8 am										
8 am-9 am										
9 am-10 am										
10 am-11 am										
11 am-12 pm										
12 pm-1 pm										
1 pm-2 pm										
2 pm-3 pm										
3 pm-4 pm										
4 pm-5 pm										
5 pm-6 pm										
6 pm-7 pm										
7 pm-8 pm										
8 pm-9 pm										
9 pm-10 pm										
10 pm-11 pm										
11 pm-12 am										

**NEW JERSEY TURNPIKE MAINLINE
SHOULDER CLOSURES: MP 26.1 TO 34.8**

# of lanes:	Northbound	Southbound	(Number of lanes may vary within section)
	2	2	

Shoulder may not be closed during shaded hours below, excluding previously approved long-term work efforts. If no boxes are shaded, shoulder closures are permitted at all times (other than Holidays/Heavy Traffic Days or as dictated by the NJTA Operations Department).

Hour	SUMMER (May 15 through September 14)									
	Monday - Wednesday		Thursday		Friday		Saturday		Sunday	
	Northbound	Southbound	Northbound	Southbound	Northbound	Southbound	Northbound	Southbound	Northbound	Southbound
12 am-1 am										
1 am-2 am										
2 am-3 am										
3 am-4 am										
4 am-5 am										
5 am-6 am										
6 am-7 am										
7 am-8 am										
8 am-9 am										
9 am-10 am										
10 am-11 am										
11 am-12 pm										
12 pm-1 pm										
1 pm-2 pm										
2 pm-3 pm										
3 pm-4 pm										
4 pm-5 pm										
5 pm-6 pm										
6 pm-7 pm										
7 pm-8 pm										
8 pm-9 pm										
9 pm-10 pm										
10 pm-11 pm										
11 pm-12 am										

Hour	OFF-SEASON (September 15 through May 14)									
	Monday - Wednesday		Thursday		Friday		Saturday		Sunday	
	Northbound	Southbound	Northbound	Southbound	Northbound	Southbound	Northbound	Southbound	Northbound	Southbound
12 am-1 am										
1 am-2 am										
2 am-3 am										
3 am-4 am										
4 am-5 am										
5 am-6 am										
6 am-7 am										
7 am-8 am										
8 am-9 am										
9 am-10 am										
10 am-11 am										
11 am-12 pm										
12 pm-1 pm										
1 pm-2 pm										
2 pm-3 pm										
3 pm-4 pm										
4 pm-5 pm										
5 pm-6 pm										
6 pm-7 pm										
7 pm-8 pm										
8 pm-9 pm										
9 pm-10 pm										
10 pm-11 pm										
11 pm-12 am										

**NEW JERSEY TURNPIKE MAINLINE
SHOULDER CLOSURES: MP 34.8 TO 44.2**

# of lanes:	Northbound	Southbound	(Number of lanes may vary within section)
	3	3	

Shoulder may not be closed during shaded hours below, excluding previously approved long-term work efforts. If no boxes are shaded, shoulder closures are permitted at all times (other than Holidays/Heavy Traffic Days or as dictated by the NJTA Operations Department).

Hour	SUMMER (May 15 through September 14)									
	Monday - Wednesday		Thursday		Friday		Saturday		Sunday	
	Northbound	Southbound	Northbound	Southbound	Northbound	Southbound	Northbound	Southbound	Northbound	Southbound
12 am-1 am										
1 am-2 am										
2 am-3 am										
3 am-4 am										
4 am-5 am										
5 am-6 am										
6 am-7 am										
7 am-8 am										
8 am-9 am										
9 am-10 am										
10 am-11 am										
11 am-12 pm										
12 pm-1 pm										
1 pm-2 pm										
2 pm-3 pm										
3 pm-4 pm										
4 pm-5 pm										
5 pm-6 pm										
6 pm-7 pm										
7 pm-8 pm										
8 pm-9 pm										
9 pm-10 pm										
10 pm-11 pm										
11 pm-12 am										

Hour	OFF-SEASON (September 15 through May 14)									
	Monday - Wednesday		Thursday		Friday		Saturday		Sunday	
	Northbound	Southbound	Northbound	Southbound	Northbound	Southbound	Northbound	Southbound	Northbound	Southbound
12 am-1 am										
1 am-2 am										
2 am-3 am										
3 am-4 am										
4 am-5 am										
5 am-6 am										
6 am-7 am										
7 am-8 am										
8 am-9 am										
9 am-10 am										
10 am-11 am										
11 am-12 pm										
12 pm-1 pm										
1 pm-2 pm										
2 pm-3 pm										
3 pm-4 pm										
4 pm-5 pm										
5 pm-6 pm										
6 pm-7 pm										
7 pm-8 pm										
8 pm-9 pm										
9 pm-10 pm										
10 pm-11 pm										
11 pm-12 am										

NEW JERSEY TURNPIKE MAINLINE
SHOULDER CLOSURES: MP 44.2 TO 51.5*

# of lanes:	Northbound	Southbound	(Number of lanes may vary within section)
	3	3	

Shoulder may not be closed during shaded hours below, excluding previously approved long-term work efforts. If no boxes are shaded, shoulder closures are permitted at all times (other than Holidays/Heavy Traffic Days or as dictated by the NJTA Operations Department).

Hour	SUMMER (May 15 through September 14)									
	Monday - Wednesday		Thursday		Friday		Saturday		Sunday	
	Northbound	Southbound	Northbound	Southbound	Northbound	Southbound	Northbound	Southbound	Northbound	Southbound
12 am-1 am										
1 am-2 am										
2 am-3 am										
3 am-4 am										
4 am-5 am										
5 am-6 am										
6 am-7 am										
7 am-8 am										
8 am-9 am										
9 am-10 am										
10 am-11 am										
11 am-12 pm										
12 pm-1 pm										
1 pm-2 pm										
2 pm-3 pm										
3 pm-4 pm										
4 pm-5 pm										
5 pm-6 pm										
6 pm-7 pm										
7 pm-8 pm										
8 pm-9 pm										
9 pm-10 pm										
10 pm-11 pm										
11 pm-12 am										

Hour	OFF-SEASON (September 15 through May 14)									
	Monday - Wednesday		Thursday		Friday		Saturday		Sunday	
	Northbound	Southbound	Northbound	Southbound	Northbound	Southbound	Northbound	Southbound	Northbound	Southbound
12 am-1 am										
1 am-2 am										
2 am-3 am										
3 am-4 am										
4 am-5 am										
5 am-6 am										
6 am-7 am										
7 am-8 am										
8 am-9 am										
9 am-10 am										
10 am-11 am										
11 am-12 pm										
12 pm-1 pm										
1 pm-2 pm										
2 pm-3 pm										
3 pm-4 pm										
4 pm-5 pm										
5 pm-6 pm										
6 pm-7 pm										
7 pm-8 pm										
8 pm-9 pm										
9 pm-10 pm										
10 pm-11 pm										
11 pm-12 am										

* Roadway between MP 51.5 to 52.0 not covered by Shoulder Closure Tables due to PHMTE merge/diverge. See Table 1 in the Introduction

**NEW JERSEY TURNPIKE MAINLINE
SHOULDER CLOSURES: MP 53.9 TO 60.5**

# of lanes:	Northbound	Southbound	(Number of lanes may vary within section)
	3	3	

Shoulder may not be closed during shaded hours below, excluding previously approved long-term work efforts. If no boxes are shaded, shoulder closures are permitted at all times (other than Holidays/Heavy Traffic Days or as dictated by the NJTA Operations Department).

Hour	SUMMER (May 15 through September 14)									
	Monday - Wednesday		Thursday		Friday		Saturday		Sunday	
	Northbound	Southbound	Northbound	Southbound	Northbound	Southbound	Northbound	Southbound	Northbound	Southbound
12 am-1 am										
1 am-2 am										
2 am-3 am										
3 am-4 am										
4 am-5 am										
5 am-6 am										
6 am-7 am										
7 am-8 am										
8 am-9 am										
9 am-10 am										
10 am-11 am										
11 am-12 pm										
12 pm-1 pm										
1 pm-2 pm										
2 pm-3 pm										
3 pm-4 pm										
4 pm-5 pm										
5 pm-6 pm										
6 pm-7 pm										
7 pm-8 pm										
8 pm-9 pm										
9 pm-10 pm										
10 pm-11 pm										
11 pm-12 am										

Hour	OFF-SEASON (September 15 through May 14)									
	Monday - Wednesday		Thursday		Friday		Saturday		Sunday	
	Northbound	Southbound	Northbound	Southbound	Northbound	Southbound	Northbound	Southbound	Northbound	Southbound
12 am-1 am										
1 am-2 am										
2 am-3 am										
3 am-4 am										
4 am-5 am										
5 am-6 am										
6 am-7 am										
7 am-8 am										
8 am-9 am										
9 am-10 am										
10 am-11 am										
11 am-12 pm										
12 pm-1 pm										
1 pm-2 pm										
2 pm-3 pm										
3 pm-4 pm										
4 pm-5 pm										
5 pm-6 pm										
6 pm-7 pm										
7 pm-8 pm										
8 pm-9 pm										
9 pm-10 pm										
10 pm-11 pm										
11 pm-12 am										

**NEW JERSEY TURNPIKE MAINLINE
SHOULDER CLOSURES: MP 60.5 TO 67.6**

# of lanes:	Northbound	Southbound	(Number of lanes may vary within section)
	3	3	

Shoulder may not be closed during shaded hours below, excluding previously approved long-term work efforts. If no boxes are shaded, shoulder closures are permitted at all times (other than Holidays/Heavy Traffic Days or as dictated by the NJTA Operations Department).

Hour	SUMMER (May 15 through September 14)									
	Monday - Wednesday		Thursday		Friday		Saturday		Sunday	
	Northbound	Southbound	Northbound	Southbound	Northbound	Southbound	Northbound	Southbound	Northbound	Southbound
12 am-1 am										
1 am-2 am										
2 am-3 am										
3 am-4 am										
4 am-5 am										
5 am-6 am										
6 am-7 am										
7 am-8 am										
8 am-9 am										
9 am-10 am										
10 am-11 am										
11 am-12 pm										
12 pm-1 pm										
1 pm-2 pm										
2 pm-3 pm										
3 pm-4 pm										
4 pm-5 pm										
5 pm-6 pm										
6 pm-7 pm										
7 pm-8 pm										
8 pm-9 pm										
9 pm-10 pm										
10 pm-11 pm										
11 pm-12 am										

Hour	OFF-SEASON (September 15 through May 14)									
	Monday - Wednesday		Thursday		Friday		Saturday		Sunday	
	Northbound	Southbound	Northbound	Southbound	Northbound	Southbound	Northbound	Southbound	Northbound	Southbound
12 am-1 am										
1 am-2 am										
2 am-3 am										
3 am-4 am										
4 am-5 am										
5 am-6 am										
6 am-7 am										
7 am-8 am										
8 am-9 am										
9 am-10 am										
10 am-11 am										
11 am-12 pm										
12 pm-1 pm										
1 pm-2 pm										
2 pm-3 pm										
3 pm-4 pm										
4 pm-5 pm										
5 pm-6 pm										
6 pm-7 pm										
7 pm-8 pm										
8 pm-9 pm										
9 pm-10 pm										
10 pm-11 pm										
11 pm-12 am										

**NEW JERSEY TURNPIKE MAINLINE
SHOULDER CLOSURES: MP 67.6 TO 72.4***

of lanes: Northbound Southbound (Number of lanes may vary within section)
 3 3

Shoulder may not be closed during shaded hours below, excluding previously approved long-term work efforts. If no boxes are shaded, shoulder closures are permitted at all times (other than Holidays/Heavy Traffic Days or as dictated by the NJTA Operations Department).

Hour	SUMMER (May 15 through September 14)									
	Monday - Wednesday		Thursday		Friday		Saturday		Sunday	
	Northbound	Southbound	Northbound	Southbound	Northbound	Southbound	Northbound	Southbound	Northbound	Southbound
12 am-1 am										
1 am-2 am										
2 am-3 am										
3 am-4 am										
4 am-5 am										
5 am-6 am										
6 am-7 am										
7 am-8 am										
8 am-9 am										
9 am-10 am										
10 am-11 am										
11 am-12 pm										
12 pm-1 pm										
1 pm-2 pm										
2 pm-3 pm										
3 pm-4 pm										
4 pm-5 pm										
5 pm-6 pm										
6 pm-7 pm										
7 pm-8 pm										
8 pm-9 pm										
9 pm-10 pm										
10 pm-11 pm										
11 pm-12 am										

Hour	OFF-SEASON (September 15 through May 14)									
	Monday - Wednesday		Thursday		Friday		Saturday		Sunday	
	Northbound	Southbound	Northbound	Southbound	Northbound	Southbound	Northbound	Southbound	Northbound	Southbound
12 am-1 am										
1 am-2 am										
2 am-3 am										
3 am-4 am										
4 am-5 am										
5 am-6 am										
6 am-7 am										
7 am-8 am										
8 am-9 am										
9 am-10 am										
10 am-11 am										
11 am-12 pm										
12 pm-1 pm										
1 pm-2 pm										
2 pm-3 pm										
3 pm-4 pm										
4 pm-5 pm										
5 pm-6 pm										
6 pm-7 pm										
7 pm-8 pm										
8 pm-9 pm										
9 pm-10 pm										
10 pm-11 pm										
11 pm-12 am										

* Roadway between MP 72.4 to 74.0 not covered by Shoulder Closure Tables due to S. Mixing Bowl and Int. 8A ramps. See Table 1 in the Introduction

**NEW JERSEY TURNPIKE PEARL HARBOR MEMORIAL TURNPIKE EXT.
SHOULDER CLOSURES: (PE) MP 0.0 TO 2.6 EB/2.3 WB**

of lanes: Eastbound Westbound (Number of lanes may vary within section)
2* 2*

Shoulder may not be closed during shaded hours below, excluding previously approved long-term work efforts. If no boxes are shaded, shoulder closures are permitted at all times (other than Holidays/Heavy Traffic Days or as dictated by the NJTA Operations Department).

Hour	SUMMER (May 15 through September 14)									
	Monday - Wednesday		Thursday		Friday		Saturday		Sunday	
	Eastbound	Westbound	Eastbound	Westbound	Eastbound	Westbound	Eastbound	Westbound	Eastbound	Westbound
12 am-1 am										
1 am-2 am										
2 am-3 am										
3 am-4 am										
4 am-5 am										
5 am-6 am										
6 am-7 am										
7 am-8 am										
8 am-9 am										
9 am-10 am										
10 am-11 am										
11 am-12 pm										
12 pm-1 pm										
1 pm-2 pm										
2 pm-3 pm										
3 pm-4 pm										
4 pm-5 pm										
5 pm-6 pm										
6 pm-7 pm										
7 pm-8 pm										
8 pm-9 pm										
9 pm-10 pm										
10 pm-11 pm										
11 pm-12 am										

Hour	OFF-SEASON (September 15 through May 14)									
	Monday - Wednesday		Thursday		Friday		Saturday		Sunday	
	Eastbound	Westbound	Eastbound	Westbound	Eastbound	Westbound	Eastbound	Westbound	Eastbound	Westbound
12 am-1 am										
1 am-2 am										
2 am-3 am										
3 am-4 am										
4 am-5 am										
5 am-6 am										
6 am-7 am										
7 am-8 am										
8 am-9 am										
9 am-10 am										
10 am-11 am										
11 am-12 pm										
12 pm-1 pm										
1 pm-2 pm										
2 pm-3 pm										
3 pm-4 pm										
4 pm-5 pm										
5 pm-6 pm										
6 pm-7 pm										
7 pm-8 pm										
8 pm-9 pm										
9 pm-10 pm										
10 pm-11 pm										
11 pm-12 am										

* 3 lanes each way between Delaware River Bridge approach and Interchange 6A (US Route 130)

**NEW JERSEY TURNPIKE PEARL HARBOR MEMORIAL TURNPIKE EXT.
SHOULDER CLOSURES: (PE) MP 2.6 EB/2.3 WB TO 6.1**

# of lanes:	Eastbound	Westbound	(Number of lanes may vary within section)
	3	3	

Shoulder may not be closed during shaded hours below, excluding previously approved long-term work efforts. If no boxes are shaded, shoulder closures are permitted at all times (other than Holidays/Heavy Traffic Days or as dictated by the NJTA Operations Department).

Hour	SUMMER (May 15 through September 14)									
	Monday - Wednesday		Thursday		Friday		Saturday		Sunday	
	Eastbound	Westbound	Eastbound	Westbound	Eastbound	Westbound	Eastbound	Westbound	Eastbound	Westbound
12 am-1 am										
1 am-2 am										
2 am-3 am										
3 am-4 am										
4 am-5 am										
5 am-6 am										
6 am-7 am										
7 am-8 am										
8 am-9 am										
9 am-10 am										
10 am-11 am										
11 am-12 pm										
12 pm-1 pm										
1 pm-2 pm										
2 pm-3 pm										
3 pm-4 pm										
4 pm-5 pm										
5 pm-6 pm										
6 pm-7 pm										
7 pm-8 pm										
8 pm-9 pm										
9 pm-10 pm										
10 pm-11 pm										
11 pm-12 am										

Hour	OFF-SEASON (September 15 through May 14)									
	Monday - Wednesday		Thursday		Friday		Saturday		Sunday	
	Eastbound	Westbound	Eastbound	Westbound	Eastbound	Westbound	Eastbound	Westbound	Eastbound	Westbound
12 am-1 am										
1 am-2 am										
2 am-3 am										
3 am-4 am										
4 am-5 am										
5 am-6 am										
6 am-7 am										
7 am-8 am										
8 am-9 am										
9 am-10 am										
10 am-11 am										
11 am-12 pm										
12 pm-1 pm										
1 pm-2 pm										
2 pm-3 pm										
3 pm-4 pm										
4 pm-5 pm										
5 pm-6 pm										
6 pm-7 pm										
7 pm-8 pm										
8 pm-9 pm										
9 pm-10 pm										
10 pm-11 pm										
11 pm-12 am										

**NEW JERSEY TURNPIKE INNER ROADWAY
SHOULDER CLOSURES: MP 74.0 TO 83.4 NB/83.8 SB***

# of lanes:	Northbound	Southbound	(Number of lanes may vary within section)
	3	3	

Shoulder may not be closed during shaded hours below, excluding previously approved long-term work efforts. If no boxes are shaded, shoulder closures are permitted at all times (other than Holidays/Heavy Traffic Days or as dictated by the NJTA Operations Department).

Hour	SUMMER (May 15 through September 14)									
	Monday - Wednesday		Thursday		Friday		Saturday		Sunday	
	Northbound	Southbound	Northbound	Southbound	Northbound	Southbound	Northbound	Southbound	Northbound	Southbound
12 am-1 am										
1 am-2 am										
2 am-3 am										
3 am-4 am										
4 am-5 am										
5 am-6 am										
6 am-7 am										
7 am-8 am										
8 am-9 am										
9 am-10 am										
10 am-11 am										
11 am-12 pm										
12 pm-1 pm										
1 pm-2 pm										
2 pm-3 pm										
3 pm-4 pm										
4 pm-5 pm										
5 pm-6 pm										
6 pm-7 pm										
7 pm-8 pm										
8 pm-9 pm										
9 pm-10 pm										
10 pm-11 pm										
11 pm-12 am										

Hour	OFF-SEASON (September 15 through May 14)									
	Monday - Wednesday		Thursday		Friday		Saturday		Sunday	
	Northbound	Southbound	Northbound	Southbound	Northbound	Southbound	Northbound	Southbound	Northbound	Southbound
12 am-1 am										
1 am-2 am										
2 am-3 am										
3 am-4 am										
4 am-5 am										
5 am-6 am										
6 am-7 am										
7 am-8 am										
8 am-9 am										
9 am-10 am										
10 am-11 am										
11 am-12 pm										
12 pm-1 pm										
1 pm-2 pm										
2 pm-3 pm										
3 pm-4 pm										
4 pm-5 pm										
5 pm-6 pm										
6 pm-7 pm										
7 pm-8 pm										
8 pm-9 pm										
9 pm-10 pm										
10 pm-11 pm										
11 pm-12 am										

* Roadway between MP 72.4 to 74.0 not covered by Shoulder Closure Tables due to S. Mixing Bowl and Int. 8A ramps. See Table 1 in the Introduction

NEW JERSEY TURNPIKE INNER ROADWAY
SHOULDER CLOSURES: MP 83.4 NB/83.8 SB TO 88.0

# of lanes:	Northbound	Southbound	(Number of lanes may vary within section)
	3	3	

Shoulder may not be closed during shaded hours below, excluding previously approved long-term work efforts. If no boxes are shaded, shoulder closures are permitted at all times (other than Holidays/Heavy Traffic Days or as dictated by the NJTA Operations Department).

Hour	SUMMER (May 15 through September 14)									
	Monday - Wednesday		Thursday		Friday		Saturday		Sunday	
	Northbound	Southbound	Northbound	Southbound	Northbound	Southbound	Northbound	Southbound	Northbound	Southbound
12 am-1 am										
1 am-2 am										
2 am-3 am										
3 am-4 am										
4 am-5 am										
5 am-6 am										
6 am-7 am										
7 am-8 am										
8 am-9 am										
9 am-10 am										
10 am-11 am										
11 am-12 pm										
12 pm-1 pm										
1 pm-2 pm										
2 pm-3 pm										
3 pm-4 pm										
4 pm-5 pm										
5 pm-6 pm										
6 pm-7 pm										
7 pm-8 pm										
8 pm-9 pm										
9 pm-10 pm										
10 pm-11 pm										
11 pm-12 am										

Hour	OFF-SEASON (September 15 through May 14)									
	Monday - Wednesday		Thursday		Friday		Saturday		Sunday	
	Northbound	Southbound	Northbound	Southbound	Northbound	Southbound	Northbound	Southbound	Northbound	Southbound
12 am-1 am										
1 am-2 am										
2 am-3 am										
3 am-4 am										
4 am-5 am										
5 am-6 am										
6 am-7 am										
7 am-8 am										
8 am-9 am										
9 am-10 am										
10 am-11 am										
11 am-12 pm										
12 pm-1 pm										
1 pm-2 pm										
2 pm-3 pm										
3 pm-4 pm										
4 pm-5 pm										
5 pm-6 pm										
6 pm-7 pm										
7 pm-8 pm										
8 pm-9 pm										
9 pm-10 pm										
10 pm-11 pm										
11 pm-12 am										

**NEW JERSEY TURNPIKE INNER ROADWAY
SHOULDER CLOSURES: MP 91.6 TO 96.1**

of lanes: Northbound Southbound
 3 3 (Number of lanes may vary within section)

Shoulder may not be closed during shaded hours below, excluding previously approved long-term work efforts. If no boxes are shaded, shoulder closures are permitted at all times (other than Holidays/Heavy Traffic Days or as dictated by the NJTA Operations Department).

Hour	SUMMER (May 15 through September 14)									
	Monday - Wednesday		Thursday		Friday		Saturday		Sunday	
	Northbound	Southbound	Northbound	Southbound	Northbound	Southbound	Northbound	Southbound	Northbound	Southbound
12 am-1 am										
1 am-2 am										
2 am-3 am										
3 am-4 am										
4 am-5 am										
5 am-6 am										
6 am-7 am	Shaded		Shaded							
7 am-8 am	Shaded		Shaded							
8 am-9 am										
9 am-10 am										
10 am-11 am										
11 am-12 pm										
12 pm-1 pm										
1 pm-2 pm										
2 pm-3 pm										
3 pm-4 pm										
4 pm-5 pm		Shaded		Shaded		Shaded				
5 pm-6 pm		Shaded		Shaded		Shaded				
6 pm-7 pm										
7 pm-8 pm										
8 pm-9 pm										
9 pm-10 pm										
10 pm-11 pm										
11 pm-12 am										

Hour	SPRING/FALL (March 1 through May 14, September 15 through December 14)									
	Monday - Wednesday		Thursday		Friday		Saturday		Sunday	
	Northbound	Southbound	Northbound	Southbound	Northbound	Southbound	Northbound	Southbound	Northbound	Southbound
12 am-1 am										
1 am-2 am										
2 am-3 am										
3 am-4 am										
4 am-5 am										
5 am-6 am										
6 am-7 am	Shaded		Shaded							
7 am-8 am	Shaded		Shaded							
8 am-9 am										
9 am-10 am										
10 am-11 am										
11 am-12 pm										
12 pm-1 pm										
1 pm-2 pm										
2 pm-3 pm										
3 pm-4 pm										
4 pm-5 pm		Shaded		Shaded		Shaded				
5 pm-6 pm		Shaded		Shaded		Shaded				
6 pm-7 pm										
7 pm-8 pm										
8 pm-9 pm										
9 pm-10 pm										
10 pm-11 pm										
11 pm-12 am										

Hour	WINTER (December 15 through February 28/29)									
	Monday - Wednesday		Thursday		Friday		Saturday		Sunday	
	Northbound	Southbound	Northbound	Southbound	Northbound	Southbound	Northbound	Southbound	Northbound	Southbound
12 am-1 am										
1 am-2 am										
2 am-3 am										
3 am-4 am										
4 am-5 am										
5 am-6 am										
6 am-7 am										
7 am-8 am										
8 am-9 am										
9 am-10 am										
10 am-11 am										
11 am-12 pm										
12 pm-1 pm										
1 pm-2 pm										
2 pm-3 pm										
3 pm-4 pm										
4 pm-5 pm		Shaded		Shaded		Shaded				
5 pm-6 pm		Shaded		Shaded		Shaded				
6 pm-7 pm										
7 pm-8 pm										
8 pm-9 pm										
9 pm-10 pm										
10 pm-11 pm										
11 pm-12 am										

**NEW JERSEY TURNPIKE INNER ROADWAY
SHOULDER CLOSURES: MP 96.1 TO 99.9**

of lanes: Northbound Southbound
3 3 (Number of lanes may vary within section)

Shoulder may not be closed during shaded hours below, excluding previously approved long-term work efforts. If no boxes are shaded, shoulder closures are permitted at all times (other than Holidays/Heavy Traffic Days or as dictated by the NJTA Operations Department).

Hour	SUMMER (May 15 through September 14)									
	Monday - Wednesday		Thursday		Friday		Saturday		Sunday	
	Northbound	Southbound	Northbound	Southbound	Northbound	Southbound	Northbound	Southbound	Northbound	Southbound
12 am-1 am										
1 am-2 am										
2 am-3 am										
3 am-4 am										
4 am-5 am										
5 am-6 am										
6 am-7 am	Shaded				Shaded					
7 am-8 am	Shaded		Shaded		Shaded					
8 am-9 am			Shaded							
9 am-10 am										
10 am-11 am										
11 am-12 pm										
12 pm-1 pm										
1 pm-2 pm										
2 pm-3 pm										
3 pm-4 pm		Shaded		Shaded		Shaded				
4 pm-5 pm		Shaded		Shaded		Shaded				
5 pm-6 pm		Shaded		Shaded		Shaded				
6 pm-7 pm										
7 pm-8 pm										
8 pm-9 pm										
9 pm-10 pm										
10 pm-11 pm										
11 pm-12 am										

Hour	SPRING/FALL (March 1 through May 14, September 15 through December 14)									
	Monday - Wednesday		Thursday		Friday		Saturday		Sunday	
	Northbound	Southbound	Northbound	Southbound	Northbound	Southbound	Northbound	Southbound	Northbound	Southbound
12 am-1 am										
1 am-2 am										
2 am-3 am										
3 am-4 am										
4 am-5 am										
5 am-6 am										
6 am-7 am	Shaded		Shaded		Shaded					
7 am-8 am	Shaded		Shaded		Shaded					
8 am-9 am	Shaded									
9 am-10 am										
10 am-11 am										
11 am-12 pm										
12 pm-1 pm										
1 pm-2 pm										
2 pm-3 pm										
3 pm-4 pm		Shaded		Shaded		Shaded				
4 pm-5 pm		Shaded		Shaded		Shaded				
5 pm-6 pm		Shaded		Shaded		Shaded				
6 pm-7 pm										
7 pm-8 pm										
8 pm-9 pm										
9 pm-10 pm										
10 pm-11 pm										
11 pm-12 am										

Hour	WINTER (December 15 through February 28/29)									
	Monday - Wednesday		Thursday		Friday		Saturday		Sunday	
	Northbound	Southbound	Northbound	Southbound	Northbound	Southbound	Northbound	Southbound	Northbound	Southbound
12 am-1 am										
1 am-2 am										
2 am-3 am										
3 am-4 am										
4 am-5 am										
5 am-6 am										
6 am-7 am	Shaded		Shaded		Shaded					
7 am-8 am	Shaded		Shaded		Shaded					
8 am-9 am										
9 am-10 am										
10 am-11 am										
11 am-12 pm										
12 pm-1 pm										
1 pm-2 pm										
2 pm-3 pm										
3 pm-4 pm										
4 pm-5 pm		Shaded		Shaded		Shaded				
5 pm-6 pm		Shaded		Shaded		Shaded				
6 pm-7 pm										
7 pm-8 pm										
8 pm-9 pm										
9 pm-10 pm										
10 pm-11 pm										
11 pm-12 am										

**NEW JERSEY TURNPIKE INNER ROADWAY
SHOULDER CLOSURES: MP 99.9 TO 101.4**

of lanes: Northbound Southbound
3 3 (Number of lanes may vary within section)

Shoulder may not be closed during shaded hours below, excluding previously approved long-term work efforts. If no boxes are shaded, shoulder closures are permitted at all times (other than Holidays/Heavy Traffic Days or as dictated by the NJTA Operations Department).

Hour	SUMMER (May 15 through September 14)									
	Monday - Wednesday		Thursday		Friday		Saturday		Sunday	
	Northbound	Southbound	Northbound	Southbound	Northbound	Southbound	Northbound	Southbound	Northbound	Southbound
12 am-1 am										
1 am-2 am										
2 am-3 am										
3 am-4 am										
4 am-5 am										
5 am-6 am										
6 am-7 am	Shaded		Shaded		Shaded					
7 am-8 am	Shaded		Shaded		Shaded					
8 am-9 am	Shaded		Shaded		Shaded					
9 am-10 am										
10 am-11 am										
11 am-12 pm										
12 pm-1 pm										
1 pm-2 pm										
2 pm-3 pm										
3 pm-4 pm		Shaded		Shaded		Shaded				
4 pm-5 pm		Shaded		Shaded		Shaded				
5 pm-6 pm		Shaded		Shaded		Shaded				
6 pm-7 pm		Shaded		Shaded		Shaded				
7 pm-8 pm										
8 pm-9 pm										
9 pm-10 pm										
10 pm-11 pm										
11 pm-12 am										

Hour	SPRING/FALL (March 1 through May 14, September 15 through December 14)									
	Monday - Wednesday		Thursday		Friday		Saturday		Sunday	
	Northbound	Southbound	Northbound	Southbound	Northbound	Southbound	Northbound	Southbound	Northbound	Southbound
12 am-1 am										
1 am-2 am										
2 am-3 am										
3 am-4 am										
4 am-5 am										
5 am-6 am										
6 am-7 am	Shaded		Shaded		Shaded					
7 am-8 am	Shaded		Shaded		Shaded					
8 am-9 am	Shaded		Shaded		Shaded					
9 am-10 am										
10 am-11 am										
11 am-12 pm										
12 pm-1 pm										
1 pm-2 pm										
2 pm-3 pm										
3 pm-4 pm		Shaded		Shaded		Shaded				
4 pm-5 pm		Shaded		Shaded		Shaded				
5 pm-6 pm		Shaded		Shaded		Shaded				
6 pm-7 pm		Shaded		Shaded		Shaded				
7 pm-8 pm										
8 pm-9 pm										
9 pm-10 pm										
10 pm-11 pm										
11 pm-12 am										

Hour	WINTER (December 15 through February 28/29)									
	Monday - Wednesday		Thursday		Friday		Saturday		Sunday	
	Northbound	Southbound	Northbound	Southbound	Northbound	Southbound	Northbound	Southbound	Northbound	Southbound
12 am-1 am										
1 am-2 am										
2 am-3 am										
3 am-4 am										
4 am-5 am										
5 am-6 am										
6 am-7 am	Shaded		Shaded		Shaded					
7 am-8 am	Shaded		Shaded		Shaded					
8 am-9 am	Shaded		Shaded		Shaded					
9 am-10 am										
10 am-11 am										
11 am-12 pm										
12 pm-1 pm										
1 pm-2 pm										
2 pm-3 pm										
3 pm-4 pm		Shaded		Shaded		Shaded				
4 pm-5 pm		Shaded		Shaded		Shaded				
5 pm-6 pm		Shaded		Shaded		Shaded				
6 pm-7 pm		Shaded		Shaded		Shaded				
7 pm-8 pm										
8 pm-9 pm										
9 pm-10 pm										
10 pm-11 pm										
11 pm-12 am										

**NEW JERSEY TURNPIKE INNER ROADWAY
SHOULDER CLOSURES: MP 101.4 TO 104.4**

of lanes: Northbound Southbound
 3 3 (Number of lanes may vary within section)

Shoulder may not be closed during shaded hours below, excluding previously approved long-term work efforts. If no boxes are shaded, shoulder closures are permitted at all times (other than Holidays/Heavy Traffic Days or as dictated by the NJTA Operations Department).

Hour	SUMMER (May 15 through September 14)									
	Monday - Wednesday		Thursday		Friday		Saturday		Sunday	
	Northbound	Southbound	Northbound	Southbound	Northbound	Southbound	Northbound	Southbound	Northbound	Southbound
12 am-1 am										
1 am-2 am										
2 am-3 am										
3 am-4 am										
4 am-5 am										
5 am-6 am										
6 am-7 am										
7 am-8 am										
8 am-9 am										
9 am-10 am										
10 am-11 am										
11 am-12 pm										
12 pm-1 pm										
1 pm-2 pm										
2 pm-3 pm										
3 pm-4 pm										
4 pm-5 pm										
5 pm-6 pm										
6 pm-7 pm										
7 pm-8 pm										
8 pm-9 pm										
9 pm-10 pm										
10 pm-11 pm										
11 pm-12 am										

Hour	SPRING/FALL (March 1 through May 14, September 15 through December 14)									
	Monday - Wednesday		Thursday		Friday		Saturday		Sunday	
	Northbound	Southbound	Northbound	Southbound	Northbound	Southbound	Northbound	Southbound	Northbound	Southbound
12 am-1 am										
1 am-2 am										
2 am-3 am										
3 am-4 am										
4 am-5 am										
5 am-6 am										
6 am-7 am										
7 am-8 am										
8 am-9 am										
9 am-10 am										
10 am-11 am										
11 am-12 pm										
12 pm-1 pm										
1 pm-2 pm										
2 pm-3 pm										
3 pm-4 pm										
4 pm-5 pm										
5 pm-6 pm										
6 pm-7 pm										
7 pm-8 pm										
8 pm-9 pm										
9 pm-10 pm										
10 pm-11 pm										
11 pm-12 am										

Hour	WINTER (December 15 through February 28/29)									
	Monday - Wednesday		Thursday		Friday		Saturday		Sunday	
	Northbound	Southbound	Northbound	Southbound	Northbound	Southbound	Northbound	Southbound	Northbound	Southbound
12 am-1 am										
1 am-2 am										
2 am-3 am										
3 am-4 am										
4 am-5 am										
5 am-6 am										
6 am-7 am										
7 am-8 am										
8 am-9 am										
9 am-10 am										
10 am-11 am										
11 am-12 pm										
12 pm-1 pm										
1 pm-2 pm										
2 pm-3 pm										
3 pm-4 pm										
4 pm-5 pm										
5 pm-6 pm										
6 pm-7 pm										
7 pm-8 pm										
8 pm-9 pm										
9 pm-10 pm										
10 pm-11 pm										
11 pm-12 am										

**NEW JERSEY TURNPIKE INNER ROADWAY
SHOULDER CLOSURES: MP 104.4 TO 105.7***

of lanes: Northbound Southbound
 3 3 (Number of lanes may vary within section)

Shoulder may not be closed during shaded hours below, excluding previously approved long-term work efforts. If no boxes are shaded, shoulder closures are permitted at all times (other than Holidays/Heavy Traffic Days or as dictated by the NJTA Operations Department).

Hour	SUMMER (May 15 through September 14)									
	Monday - Wednesday		Thursday		Friday		Saturday		Sunday	
	Northbound	Southbound	Northbound	Southbound	Northbound	Southbound	Northbound	Southbound	Northbound	Southbound
12 am-1 am										
1 am-2 am										
2 am-3 am										
3 am-4 am										
4 am-5 am										
5 am-6 am										
6 am-7 am										
7 am-8 am										
8 am-9 am										
9 am-10 am										
10 am-11 am										
11 am-12 pm										
12 pm-1 pm										
1 pm-2 pm										
2 pm-3 pm										
3 pm-4 pm										
4 pm-5 pm										
5 pm-6 pm										
6 pm-7 pm										
7 pm-8 pm										
8 pm-9 pm										
9 pm-10 pm										
10 pm-11 pm										
11 pm-12 am										

Hour	SPRING/FALL (March 1 through May 14, September 15 through December 14)									
	Monday - Wednesday		Thursday		Friday		Saturday		Sunday	
	Northbound	Southbound	Northbound	Southbound	Northbound	Southbound	Northbound	Southbound	Northbound	Southbound
12 am-1 am										
1 am-2 am										
2 am-3 am										
3 am-4 am										
4 am-5 am										
5 am-6 am										
6 am-7 am										
7 am-8 am										
8 am-9 am										
9 am-10 am										
10 am-11 am										
11 am-12 pm										
12 pm-1 pm										
1 pm-2 pm										
2 pm-3 pm										
3 pm-4 pm										
4 pm-5 pm										
5 pm-6 pm										
6 pm-7 pm										
7 pm-8 pm										
8 pm-9 pm										
9 pm-10 pm										
10 pm-11 pm										
11 pm-12 am										

Hour	WINTER (December 15 through February 28/29)									
	Monday - Wednesday		Thursday		Friday		Saturday		Sunday	
	Northbound	Southbound	Northbound	Southbound	Northbound	Southbound	Northbound	Southbound	Northbound	Southbound
12 am-1 am										
1 am-2 am										
2 am-3 am										
3 am-4 am										
4 am-5 am										
5 am-6 am										
6 am-7 am										
7 am-8 am										
8 am-9 am										
9 am-10 am										
10 am-11 am										
11 am-12 pm										
12 pm-1 pm										
1 pm-2 pm										
2 pm-3 pm										
3 pm-4 pm										
4 pm-5 pm										
5 pm-6 pm										
6 pm-7 pm										
7 pm-8 pm										
8 pm-9 pm										
9 pm-10 pm										
10 pm-11 pm										
11 pm-12 am										

* Roadway between MP 105.7 to 106.6/106.8 not covered by Shoulder Closure Tables due to S. Mixing Bowl and Int. 15E ramps. See Table 1 in the Introduction.

**NEW JERSEY TURNPIKE OUTER ROADWAY
SHOULDER CLOSURES: MP 74.0 TO 83.4 NB/83.8 SB***

# of lanes:	Northbound	Southbound	(Number of lanes may vary within section)
	2	2	

Shoulder may not be closed during shaded hours below, excluding previously approved long-term work efforts. If no boxes are shaded, shoulder closures are permitted at all times (other than Holidays/Heavy Traffic Days or as dictated by the NJTA Operations Department).

Hour	SUMMER (May 15 through September 14)									
	Monday - Wednesday		Thursday		Friday		Saturday		Sunday	
	Northbound	Southbound	Northbound	Southbound	Northbound	Southbound	Northbound	Southbound	Northbound	Southbound
12 am-1 am										
1 am-2 am										
2 am-3 am										
3 am-4 am										
4 am-5 am										
5 am-6 am										
6 am-7 am										
7 am-8 am										
8 am-9 am										
9 am-10 am										
10 am-11 am										
11 am-12 pm										
12 pm-1 pm										
1 pm-2 pm										
2 pm-3 pm										
3 pm-4 pm										
4 pm-5 pm										
5 pm-6 pm										
6 pm-7 pm										
7 pm-8 pm										
8 pm-9 pm										
9 pm-10 pm										
10 pm-11 pm										
11 pm-12 am										

Hour	OFF-SEASON (September 15 through May 14)									
	Monday - Wednesday		Thursday		Friday		Saturday		Sunday	
	Northbound	Southbound	Northbound	Southbound	Northbound	Southbound	Northbound	Southbound	Northbound	Southbound
12 am-1 am										
1 am-2 am										
2 am-3 am										
3 am-4 am										
4 am-5 am										
5 am-6 am										
6 am-7 am										
7 am-8 am										
8 am-9 am										
9 am-10 am										
10 am-11 am										
11 am-12 pm										
12 pm-1 pm										
1 pm-2 pm										
2 pm-3 pm										
3 pm-4 pm										
4 pm-5 pm										
5 pm-6 pm										
6 pm-7 pm										
7 pm-8 pm										
8 pm-9 pm										
9 pm-10 pm										
10 pm-11 pm										
11 pm-12 am										

* Roadway between MP 72.4 to 74.0 not covered by Shoulder Closure Tables due to S. Mixing Bowl and Int. 8A ramps. See Table 1 in the Introduction

**NEW JERSEY TURNPIKE OUTER ROADWAY
SHOULDER CLOSURES: MP 83.4 NB/83.8 SB TO 88.0**

# of lanes:	Northbound	Southbound	(Number of lanes may vary within section)
	3	3	

Shoulder may not be closed during shaded hours below, excluding previously approved long-term work efforts. If no boxes are shaded, shoulder closures are permitted at all times (other than Holidays/Heavy Traffic Days or as dictated by the NJTA Operations Department).

Hour	SUMMER (May 15 through September 14)									
	Monday - Wednesday		Thursday		Friday		Saturday		Sunday	
	Northbound	Southbound	Northbound	Southbound	Northbound	Southbound	Northbound	Southbound	Northbound	Southbound
12 am-1 am										
1 am-2 am										
2 am-3 am										
3 am-4 am										
4 am-5 am										
5 am-6 am										
6 am-7 am										
7 am-8 am										
8 am-9 am										
9 am-10 am										
10 am-11 am										
11 am-12 pm										
12 pm-1 pm										
1 pm-2 pm										
2 pm-3 pm										
3 pm-4 pm										
4 pm-5 pm										
5 pm-6 pm										
6 pm-7 pm										
7 pm-8 pm										
8 pm-9 pm										
9 pm-10 pm										
10 pm-11 pm										
11 pm-12 am										

Hour	OFF-SEASON (September 15 through May 14)									
	Monday - Wednesday		Thursday		Friday		Saturday		Sunday	
	Northbound	Southbound	Northbound	Southbound	Northbound	Southbound	Northbound	Southbound	Northbound	Southbound
12 am-1 am										
1 am-2 am										
2 am-3 am										
3 am-4 am										
4 am-5 am										
5 am-6 am										
6 am-7 am										
7 am-8 am										
8 am-9 am										
9 am-10 am										
10 am-11 am										
11 am-12 pm										
12 pm-1 pm										
1 pm-2 pm										
2 pm-3 pm										
3 pm-4 pm										
4 pm-5 pm										
5 pm-6 pm										
6 pm-7 pm										
7 pm-8 pm										
8 pm-9 pm										
9 pm-10 pm										
10 pm-11 pm										
11 pm-12 am										

**NEW JERSEY TURNPIKE OUTER ROADWAY
SHOULDER CLOSURES: MP 88.0 TO 91.6**

# of lanes:	Northbound	Southbound	(Number of lanes may vary within section)
	3	3	

Shoulder may not be closed during shaded hours below, excluding previously approved long-term work efforts. If no boxes are shaded, shoulder closures are permitted at all times (other than Holidays/Heavy Traffic Days or as dictated by the NJTA Operations Department).

Hour	SUMMER (May 15 through September 14)									
	Monday - Wednesday		Thursday		Friday		Saturday		Sunday	
	Northbound	Southbound	Northbound	Southbound	Northbound	Southbound	Northbound	Southbound	Northbound	Southbound
12 am-1 am										
1 am-2 am										
2 am-3 am										
3 am-4 am										
4 am-5 am										
5 am-6 am										
6 am-7 am										
7 am-8 am										
8 am-9 am										
9 am-10 am										
10 am-11 am										
11 am-12 pm										
12 pm-1 pm										
1 pm-2 pm										
2 pm-3 pm										
3 pm-4 pm										
4 pm-5 pm										
5 pm-6 pm										
6 pm-7 pm										
7 pm-8 pm										
8 pm-9 pm										
9 pm-10 pm										
10 pm-11 pm										
11 pm-12 am										

Hour	OFF-SEASON (September 15 through May 14)									
	Monday - Wednesday		Thursday		Friday		Saturday		Sunday	
	Northbound	Southbound	Northbound	Southbound	Northbound	Southbound	Northbound	Southbound	Northbound	Southbound
12 am-1 am										
1 am-2 am										
2 am-3 am										
3 am-4 am										
4 am-5 am										
5 am-6 am										
6 am-7 am										
7 am-8 am										
8 am-9 am										
9 am-10 am										
10 am-11 am										
11 am-12 pm										
12 pm-1 pm										
1 pm-2 pm										
2 pm-3 pm										
3 pm-4 pm										
4 pm-5 pm										
5 pm-6 pm										
6 pm-7 pm										
7 pm-8 pm										
8 pm-9 pm										
9 pm-10 pm										
10 pm-11 pm										
11 pm-12 am										

**NEW JERSEY TURNPIKE OUTER ROADWAY
SHOULDER CLOSURES: MP 91.6 TO 96.1**

of lanes: Northbound Southbound
4* 4 (Number of lanes may vary within section)

Shoulder may not be closed during shaded hours below, excluding previously approved long-term work efforts. If no boxes are shaded, shoulder closures are permitted at all times (other than Holidays/Heavy Traffic Days or as dictated by the NJTA Operations Department).

Hour	SUMMER (May 15 through September 14)									
	Monday - Wednesday		Thursday		Friday		Saturday		Sunday	
	Northbound	Southbound	Northbound	Southbound	Northbound	Southbound	Northbound	Southbound	Northbound	Southbound
12 am-1 am										
1 am-2 am										
2 am-3 am										
3 am-4 am										
4 am-5 am										
5 am-6 am										
6 am-7 am	X*		X*		X*					
7 am-8 am	X*		X*		X*					
8 am-9 am	X*		X*							
9 am-10 am										
10 am-11 am										
11 am-12 pm										
12 pm-1 pm										
1 pm-2 pm										
2 pm-3 pm										
3 pm-4 pm										
4 pm-5 pm										
5 pm-6 pm										
6 pm-7 pm										
7 pm-8 pm										
8 pm-9 pm										
9 pm-10 pm										
10 pm-11 pm										
11 pm-12 am										

Hour	SPRING/FALL (March 1 through May 14, September 15 through December 14)									
	Monday - Wednesday		Thursday		Friday		Saturday		Sunday	
	Northbound	Southbound	Northbound	Southbound	Northbound	Southbound	Northbound	Southbound	Northbound	Southbound
12 am-1 am										
1 am-2 am										
2 am-3 am										
3 am-4 am										
4 am-5 am										
5 am-6 am										
6 am-7 am	X*		X*		X*					
7 am-8 am	X*		X*		X*					
8 am-9 am	X*		X*							
9 am-10 am										
10 am-11 am										
11 am-12 pm										
12 pm-1 pm										
1 pm-2 pm										
2 pm-3 pm										
3 pm-4 pm										
4 pm-5 pm										
5 pm-6 pm										
6 pm-7 pm										
7 pm-8 pm										
8 pm-9 pm										
9 pm-10 pm										
10 pm-11 pm										
11 pm-12 am										

Hour	WINTER (December 15 through February 28/29)									
	Monday - Wednesday		Thursday		Friday		Saturday		Sunday	
	Northbound	Southbound	Northbound	Southbound	Northbound	Southbound	Northbound	Southbound	Northbound	Southbound
12 am-1 am										
1 am-2 am										
2 am-3 am										
3 am-4 am										
4 am-5 am										
5 am-6 am										
6 am-7 am	X*		X*		X*					
7 am-8 am	X*		X*		X*					
8 am-9 am			X*							
9 am-10 am										
10 am-11 am										
11 am-12 pm										
12 pm-1 pm										
1 pm-2 pm										
2 pm-3 pm										
3 pm-4 pm										
4 pm-5 pm										
5 pm-6 pm										
6 pm-7 pm										
7 pm-8 pm										
8 pm-9 pm										
9 pm-10 pm										
10 pm-11 pm										
11 pm-12 am										

* 3 northbound lanes for 1/4 mile beyond interchange merge. "X" indicates no shoulder closures allowed in that 1/4 mile section.

**NEW JERSEY TURNPIKE OUTER ROADWAY
SHOULDER CLOSURES: MP 96.1 TO 99.9**

of lanes: Northbound Southbound
4* 4* (Number of lanes may vary within section)

Shoulder may not be closed during shaded hours below, excluding previously approved long-term work efforts. If no boxes are shaded, shoulder closures are permitted at all times (other than Holidays/Heavy Traffic Days or as dictated by the NJTA Operations Department).

Hour	SUMMER (May 15 through September 14)									
	Monday - Wednesday		Thursday		Friday		Saturday		Sunday	
	Northbound	Southbound	Northbound	Southbound	Northbound	Southbound	Northbound	Southbound	Northbound	Southbound
12 am-1 am										
1 am-2 am										
2 am-3 am										
3 am-4 am										
4 am-5 am										
5 am-6 am										
6 am-7 am	X*		X*		X*					
7 am-8 am	X*		X*		X*					
8 am-9 am	X*		X*		X*					
9 am-10 am			X*							
10 am-11 am										
11 am-12 pm										
12 pm-1 pm										
1 pm-2 pm										
2 pm-3 pm										X*
3 pm-4 pm		X*		X*						X*
4 pm-5 pm		X*		X*						X*
5 pm-6 pm		X*		X*						X*
6 pm-7 pm				X*						X*
7 pm-8 pm										
8 pm-9 pm										
9 pm-10 pm										
10 pm-11 pm										
11 pm-12 am										

Hour	SPRING/FALL (March 1 through May 14, September 15 through December 14)									
	Monday - Wednesday		Thursday		Friday		Saturday		Sunday	
	Northbound	Southbound	Northbound	Southbound	Northbound	Southbound	Northbound	Southbound	Northbound	Southbound
12 am-1 am										
1 am-2 am										
2 am-3 am										
3 am-4 am										
4 am-5 am										
5 am-6 am										
6 am-7 am	X*		X*		X*					
7 am-8 am	X*		X*		X*					
8 am-9 am	X*		X*		X*					
9 am-10 am										
10 am-11 am										
11 am-12 pm										
12 pm-1 pm										
1 pm-2 pm										
2 pm-3 pm										X*
3 pm-4 pm		X*		X*						X*
4 pm-5 pm		X*		X*						X*
5 pm-6 pm		X*		X*						X*
6 pm-7 pm										
7 pm-8 pm										
8 pm-9 pm										
9 pm-10 pm										
10 pm-11 pm										
11 pm-12 am										

Hour	WINTER (December 15 through February 28/29)									
	Monday - Wednesday		Thursday		Friday		Saturday		Sunday	
	Northbound	Southbound	Northbound	Southbound	Northbound	Southbound	Northbound	Southbound	Northbound	Southbound
12 am-1 am										
1 am-2 am										
2 am-3 am										
3 am-4 am										
4 am-5 am										
5 am-6 am										
6 am-7 am	X*		X*		X*					
7 am-8 am	X*		X*		X*					
8 am-9 am	X*		X*		X*					
9 am-10 am										
10 am-11 am										
11 am-12 pm										
12 pm-1 pm										
1 pm-2 pm										
2 pm-3 pm										
3 pm-4 pm		X*		X*						X*
4 pm-5 pm		X*		X*						X*
5 pm-6 pm		X*		X*						X*
6 pm-7 pm										
7 pm-8 pm										
8 pm-9 pm										
9 pm-10 pm										
10 pm-11 pm										
11 pm-12 am										

* 3 lanes between Interchange 13 exit and entrance ramps. "X" indicates no shoulder closures allowed in that section between ramps.

**NEW JERSEY TURNPIKE OUTER ROADWAY
SHOULDER CLOSURES: MP 99.9 TO 101.4**

of lanes: Northbound Southbound
4* 4* (Number of lanes may vary within section)

Shoulder may not be closed during shaded hours below, excluding previously approved long-term work efforts. If no boxes are shaded, shoulder closures are permitted at all times (other than Holidays/Heavy Traffic Days or as dictated by the NJTA Operations Department).

Hour	SUMMER (May 15 through September 14)									
	Monday - Wednesday		Thursday		Friday		Saturday		Sunday	
	Northbound	Southbound	Northbound	Southbound	Northbound	Southbound	Northbound	Southbound	Northbound	Southbound
12 am-1 am										
1 am-2 am										
2 am-3 am										
3 am-4 am										
4 am-5 am										
5 am-6 am										
6 am-7 am	X*		X*		X*					
7 am-8 am	X*		X*		X*					
8 am-9 am	X*		X*		X*					
9 am-10 am	X*		X*		X*					
10 am-11 am										
11 am-12 pm										
12 pm-1 pm										
1 pm-2 pm										X*
2 pm-3 pm				X*						X*
3 pm-4 pm		X*		X*						X*
4 pm-5 pm		X*		X*						X*
5 pm-6 pm		X*		X*						X*
6 pm-7 pm		X*		X*						X*
7 pm-8 pm										
8 pm-9 pm										
9 pm-10 pm										
10 pm-11 pm										
11 pm-12 am										

Hour	SPRING/FALL (March 1 through May 14, September 15 through December 14)									
	Monday - Wednesday		Thursday		Friday		Saturday		Sunday	
	Northbound	Southbound	Northbound	Southbound	Northbound	Southbound	Northbound	Southbound	Northbound	Southbound
12 am-1 am										
1 am-2 am										
2 am-3 am										
3 am-4 am										
4 am-5 am										
5 am-6 am										
6 am-7 am	X*		X*		X*					
7 am-8 am	X*		X*		X*					
8 am-9 am	X*		X*		X*					
9 am-10 am	X*		X*							
10 am-11 am										
11 am-12 pm										
12 pm-1 pm										
1 pm-2 pm										
2 pm-3 pm										X*
3 pm-4 pm		X*		X*						X*
4 pm-5 pm		X*		X*						X*
5 pm-6 pm		X*		X*						X*
6 pm-7 pm		X*		X*						X*
7 pm-8 pm										
8 pm-9 pm										
9 pm-10 pm										
10 pm-11 pm										
11 pm-12 am										

Hour	WINTER (December 15 through February 28/29)									
	Monday - Wednesday		Thursday		Friday		Saturday		Sunday	
	Northbound	Southbound	Northbound	Southbound	Northbound	Southbound	Northbound	Southbound	Northbound	Southbound
12 am-1 am										
1 am-2 am										
2 am-3 am										
3 am-4 am										
4 am-5 am										
5 am-6 am										
6 am-7 am	X*		X*		X*					
7 am-8 am	X*		X*		X*					
8 am-9 am	X*		X*		X*					
9 am-10 am	X*		X*		X*					
10 am-11 am										
11 am-12 pm										
12 pm-1 pm										
1 pm-2 pm										
2 pm-3 pm										X*
3 pm-4 pm		X*		X*						X*
4 pm-5 pm		X*		X*						X*
5 pm-6 pm		X*		X*						X*
6 pm-7 pm				X*						X*
7 pm-8 pm										
8 pm-9 pm										
9 pm-10 pm										
10 pm-11 pm										
11 pm-12 am										

* 3 lanes between Interchange 13 exit and entrance ramps. "X" indicates no shoulder closures allowed in that section between ramps.

**NEW JERSEY TURNPIKE OUTER ROADWAY
SHOULDER CLOSURES: MP 101.4 TO 104.4**

of lanes: Northbound Southbound
4 4* (Number of lanes may vary within section)

Shoulder may not be closed during shaded hours below, excluding previously approved long-term work efforts. If no boxes are shaded, shoulder closures are permitted at all times (other than Holidays/Heavy Traffic Days or as dictated by the NJTA Operations Department).

Hour	SUMMER (May 15 through September 14)									
	Monday - Wednesday		Thursday		Friday		Saturday		Sunday	
	Northbound	Southbound	Northbound	Southbound	Northbound	Southbound	Northbound	Southbound	Northbound	Southbound
12 am-1 am										
1 am-2 am										
2 am-3 am										
3 am-4 am										
4 am-5 am										
5 am-6 am										
6 am-7 am										
7 am-8 am										
8 am-9 am										
9 am-10 am										
10 am-11 am										
11 am-12 pm										
12 pm-1 pm										
1 pm-2 pm										
2 pm-3 pm										X*
3 pm-4 pm				X*						X*
4 pm-5 pm				X*						X*
5 pm-6 pm				X*						X*
6 pm-7 pm										
7 pm-8 pm										
8 pm-9 pm										
9 pm-10 pm										
10 pm-11 pm										
11 pm-12 am										

Hour	SPRING/FALL (March 1 through May 14, September 15 through December 14)									
	Monday - Wednesday		Thursday		Friday		Saturday		Sunday	
	Northbound	Southbound	Northbound	Southbound	Northbound	Southbound	Northbound	Southbound	Northbound	Southbound
12 am-1 am										
1 am-2 am										
2 am-3 am										
3 am-4 am										
4 am-5 am										
5 am-6 am										
6 am-7 am										
7 am-8 am										
8 am-9 am										
9 am-10 am										
10 am-11 am										
11 am-12 pm										
12 pm-1 pm										
1 pm-2 pm										
2 pm-3 pm										
3 pm-4 pm										X*
4 pm-5 pm		X*		X*						X*
5 pm-6 pm		X*		X*						X*
6 pm-7 pm										
7 pm-8 pm										
8 pm-9 pm										
9 pm-10 pm										
10 pm-11 pm										
11 pm-12 am										

Hour	WINTER (December 15 through February 28/29)									
	Monday - Wednesday		Thursday		Friday		Saturday		Sunday	
	Northbound	Southbound	Northbound	Southbound	Northbound	Southbound	Northbound	Southbound	Northbound	Southbound
12 am-1 am										
1 am-2 am										
2 am-3 am										
3 am-4 am										
4 am-5 am										
5 am-6 am										
6 am-7 am										
7 am-8 am										
8 am-9 am										
9 am-10 am										
10 am-11 am										
11 am-12 pm										
12 pm-1 pm										
1 pm-2 pm										
2 pm-3 pm										
3 pm-4 pm										X*
4 pm-5 pm				X*						X*
5 pm-6 pm				X*						X*
6 pm-7 pm										
7 pm-8 pm										
8 pm-9 pm										
9 pm-10 pm										
10 pm-11 pm										
11 pm-12 am										

* 3 southbound lanes for 1/4 mile beyond interchange merge. "X" indicates no shoulder closures allowed in that 1/4 mile section.

**NEW JERSEY TURNPIKE OUTER ROADWAY
SHOULDER CLOSURES: MP 104.4 TO 105.7***

# of lanes:	Northbound	Southbound	
	3	3	(Number of lanes may vary within section)

Shoulder may not be closed during shaded hours below, excluding previously approved long-term work efforts. If no boxes are shaded, shoulder closures are permitted at all times (other than Holidays/Heavy Traffic Days or as dictated by the NJTA Operations Department).

Hour	SUMMER (May 15 through September 14)									
	Monday - Wednesday		Thursday		Friday		Saturday		Sunday	
	Northbound	Southbound	Northbound	Southbound	Northbound	Southbound	Northbound	Southbound	Northbound	Southbound
12 am-1 am										
1 am-2 am										
2 am-3 am										
3 am-4 am										
4 am-5 am										
5 am-6 am										
6 am-7 am										
7 am-8 am										
8 am-9 am										
9 am-10 am										
10 am-11 am										
11 am-12 pm										
12 pm-1 pm										
1 pm-2 pm										
2 pm-3 pm										
3 pm-4 pm										
4 pm-5 pm										
5 pm-6 pm										
6 pm-7 pm										
7 pm-8 pm										
8 pm-9 pm										
9 pm-10 pm										
10 pm-11 pm										
11 pm-12 am										

Hour	SPRING/FALL (March 1 through May 14, September 15 through December 14)									
	Monday - Wednesday		Thursday		Friday		Saturday		Sunday	
	Northbound	Southbound	Northbound	Southbound	Northbound	Southbound	Northbound	Southbound	Northbound	Southbound
12 am-1 am										
1 am-2 am										
2 am-3 am										
3 am-4 am										
4 am-5 am										
5 am-6 am										
6 am-7 am										
7 am-8 am										
8 am-9 am										
9 am-10 am										
10 am-11 am										
11 am-12 pm										
12 pm-1 pm										
1 pm-2 pm										
2 pm-3 pm										
3 pm-4 pm										
4 pm-5 pm										
5 pm-6 pm										
6 pm-7 pm										
7 pm-8 pm										
8 pm-9 pm										
9 pm-10 pm										
10 pm-11 pm										
11 pm-12 am										

Hour	WINTER (December 15 through February 28/29)									
	Monday - Wednesday		Thursday		Friday		Saturday		Sunday	
	Northbound	Southbound	Northbound	Southbound	Northbound	Southbound	Northbound	Southbound	Northbound	Southbound
12 am-1 am										
1 am-2 am										
2 am-3 am										
3 am-4 am										
4 am-5 am										
5 am-6 am										
6 am-7 am										
7 am-8 am										
8 am-9 am										
9 am-10 am										
10 am-11 am										
11 am-12 pm										
12 pm-1 pm										
1 pm-2 pm										
2 pm-3 pm										
3 pm-4 pm										
4 pm-5 pm										
5 pm-6 pm										
6 pm-7 pm										
7 pm-8 pm										
8 pm-9 pm										
9 pm-10 pm										
10 pm-11 pm										
11 pm-12 am										

* Roadway between MP 105.7 to 106.6/106.8 not covered by Shoulder Closure Tables due to S. Mixing Bowl and Int. 15E ramps. See Table 1 in the Introduction.

NEW JERSEY TURNPIKE RAMPS BETWEEN I-78 AND S. MIXING BOWL
SHOULDER CLOSURES: MP 105.0 TO 105.9*

of lanes: Northbound Southbound
 3 3 (Number of lanes may vary within section)

Shoulder may not be closed during shaded hours below, excluding previously approved long-term work efforts. If no boxes are shaded, shoulder closures are permitted at all times (other than Holidays/Heavy Traffic Days or as dictated by the NJTA Operations Department).

Hour	SUMMER (May 15 through September 14)									
	Monday - Wednesday		Thursday		Friday		Saturday		Sunday	
	Northbound	Southbound	Northbound	Southbound	Northbound	Southbound	Northbound	Southbound	Northbound	Southbound
12 am-1 am										
1 am-2 am										
2 am-3 am										
3 am-4 am										
4 am-5 am										
5 am-6 am										
6 am-7 am										
7 am-8 am										
8 am-9 am										
9 am-10 am										
10 am-11 am										
11 am-12 pm										
12 pm-1 pm										
1 pm-2 pm										
2 pm-3 pm										
3 pm-4 pm										
4 pm-5 pm										
5 pm-6 pm										
6 pm-7 pm										
7 pm-8 pm										
8 pm-9 pm										
9 pm-10 pm										
10 pm-11 pm										
11 pm-12 am										

Hour	SPRING/FALL (March 1 through May 14, September 15 through December 14)									
	Monday - Wednesday		Thursday		Friday		Saturday		Sunday	
	Northbound	Southbound	Northbound	Southbound	Northbound	Southbound	Northbound	Southbound	Northbound	Southbound
12 am-1 am										
1 am-2 am										
2 am-3 am										
3 am-4 am										
4 am-5 am										
5 am-6 am										
6 am-7 am										
7 am-8 am										
8 am-9 am										
9 am-10 am										
10 am-11 am										
11 am-12 pm										
12 pm-1 pm										
1 pm-2 pm										
2 pm-3 pm										
3 pm-4 pm										
4 pm-5 pm										
5 pm-6 pm										
6 pm-7 pm										
7 pm-8 pm										
8 pm-9 pm										
9 pm-10 pm										
10 pm-11 pm										
11 pm-12 am										

Hour	WINTER (December 15 through February 28/29)									
	Monday - Wednesday		Thursday		Friday		Saturday		Sunday	
	Northbound	Southbound	Northbound	Southbound	Northbound	Southbound	Northbound	Southbound	Northbound	Southbound
12 am-1 am										
1 am-2 am										
2 am-3 am										
3 am-4 am										
4 am-5 am										
5 am-6 am										
6 am-7 am										
7 am-8 am										
8 am-9 am										
9 am-10 am										
10 am-11 am										
11 am-12 pm										
12 pm-1 pm										
1 pm-2 pm										
2 pm-3 pm										
3 pm-4 pm										
4 pm-5 pm										
5 pm-6 pm										
6 pm-7 pm										
7 pm-8 pm										
8 pm-9 pm										
9 pm-10 pm										
10 pm-11 pm										
11 pm-12 am										

* Roadway between MP 105.9 to 106.6/106.8 not covered by Shoulder Closure Tables due to S. Mixing Bowl and Int. 15E ramps. See Table 1 in the Introduction.

**NEW JERSEY TURNPIKE NEWARK BAY - HUDSON COUNTY EXT.
SHOULDER CLOSURES: MP NO.0 TO N3.3**

of lanes: Eastbound Westbound
2 2 (Number of lanes may vary within section)

Shoulder may not be closed during shaded hours below, excluding previously approved long-term work efforts. If no boxes are shaded, shoulder closures are permitted at all times (other than Holidays/Heavy Traffic Days or as dictated by the NJTA Operations Department).

Hour	SUMMER (May 15 through September 14)									
	Monday - Wednesday		Thursday		Friday		Saturday		Sunday	
	Eastbound	Westbound	Eastbound	Westbound	Eastbound	Westbound	Eastbound	Westbound	Eastbound	Westbound
12 am-1 am										
1 am-2 am										
2 am-3 am										
3 am-4 am										
4 am-5 am										
5 am-6 am										
6 am-7 am	Shaded		Shaded		Shaded					
7 am-8 am	Shaded		Shaded		Shaded					
8 am-9 am	Shaded		Shaded		Shaded					
9 am-10 am	Shaded		Shaded							
10 am-11 am										
11 am-12 pm										
12 pm-1 pm										
1 pm-2 pm										
2 pm-3 pm		Shaded		Shaded		Shaded				
3 pm-4 pm		Shaded		Shaded		Shaded				
4 pm-5 pm	Shaded		Shaded		Shaded					
5 pm-6 pm	Shaded		Shaded		Shaded					
6 pm-7 pm	Shaded		Shaded		Shaded					
7 pm-8 pm										
8 pm-9 pm										
9 pm-10 pm										
10 pm-11 pm										
11 pm-12 am										

Hour	SPRING/FALL (March 1 through May 14, September 15 through December 14)									
	Monday - Wednesday		Thursday		Friday		Saturday		Sunday	
	Eastbound	Westbound	Eastbound	Westbound	Eastbound	Westbound	Eastbound	Westbound	Eastbound	Westbound
12 am-1 am										
1 am-2 am										
2 am-3 am										
3 am-4 am										
4 am-5 am										
5 am-6 am										
6 am-7 am	Shaded		Shaded		Shaded					
7 am-8 am	Shaded		Shaded		Shaded					
8 am-9 am	Shaded		Shaded		Shaded					
9 am-10 am	Shaded		Shaded							
10 am-11 am										
11 am-12 pm										
12 pm-1 pm										
1 pm-2 pm										
2 pm-3 pm		Shaded		Shaded		Shaded				
3 pm-4 pm		Shaded		Shaded		Shaded				
4 pm-5 pm	Shaded		Shaded		Shaded					
5 pm-6 pm	Shaded		Shaded		Shaded					
6 pm-7 pm	Shaded		Shaded		Shaded					
7 pm-8 pm										
8 pm-9 pm										
9 pm-10 pm										
10 pm-11 pm										
11 pm-12 am										

Hour	WINTER (December 15 through February 28/29)									
	Monday - Wednesday		Thursday		Friday		Saturday		Sunday	
	Eastbound	Westbound	Eastbound	Westbound	Eastbound	Westbound	Eastbound	Westbound	Eastbound	Westbound
12 am-1 am										
1 am-2 am										
2 am-3 am										
3 am-4 am										
4 am-5 am										
5 am-6 am										
6 am-7 am	Shaded		Shaded		Shaded					
7 am-8 am	Shaded		Shaded		Shaded					
8 am-9 am	Shaded		Shaded		Shaded					
9 am-10 am										
10 am-11 am										
11 am-12 pm										
12 pm-1 pm										
1 pm-2 pm										
2 pm-3 pm										
3 pm-4 pm		Shaded		Shaded		Shaded				
4 pm-5 pm	Shaded		Shaded		Shaded					
5 pm-6 pm	Shaded		Shaded		Shaded					
6 pm-7 pm										
7 pm-8 pm										
8 pm-9 pm										
9 pm-10 pm										
10 pm-11 pm										
11 pm-12 am										

**NEW JERSEY TURNPIKE NEWARK BAY - HUDSON COUNTY EXT.
SHOULDER CLOSURES: MP N3.3 TO N5.4**

of lanes: Eastbound Westbound
2 2 (Number of lanes may vary within section)

Shoulder may not be closed during shaded hours below, excluding previously approved long-term work efforts. If no boxes are shaded, shoulder closures are permitted at all times (other than Holidays/Heavy Traffic Days or as dictated by the NJTA Operations Department).

Hour	SUMMER (May 15 through September 14)									
	Monday - Wednesday		Thursday		Friday		Saturday		Sunday	
	Eastbound	Westbound	Eastbound	Westbound	Eastbound	Westbound	Eastbound	Westbound	Eastbound	Westbound
12 am-1 am										
1 am-2 am										
2 am-3 am										
3 am-4 am										
4 am-5 am										
5 am-6 am										
6 am-7 am	Shaded		Shaded		Shaded					
7 am-8 am	Shaded		Shaded		Shaded					
8 am-9 am			Shaded							
9 am-10 am										
10 am-11 am										
11 am-12 pm										
12 pm-1 pm										
1 pm-2 pm										
2 pm-3 pm										
3 pm-4 pm										
4 pm-5 pm				Shaded		Shaded				
5 pm-6 pm				Shaded						
6 pm-7 pm										
7 pm-8 pm										
8 pm-9 pm										
9 pm-10 pm										
10 pm-11 pm										
11 pm-12 am										

Hour	SPRING/FALL (March 1 through May 14, September 15 through December 14)									
	Monday - Wednesday		Thursday		Friday		Saturday		Sunday	
	Eastbound	Westbound	Eastbound	Westbound	Eastbound	Westbound	Eastbound	Westbound	Eastbound	Westbound
12 am-1 am										
1 am-2 am										
2 am-3 am										
3 am-4 am										
4 am-5 am										
5 am-6 am										
6 am-7 am	Shaded		Shaded		Shaded					
7 am-8 am	Shaded		Shaded		Shaded					
8 am-9 am	Shaded		Shaded							
9 am-10 am										
10 am-11 am										
11 am-12 pm										
12 pm-1 pm										
1 pm-2 pm										
2 pm-3 pm										
3 pm-4 pm										
4 pm-5 pm		Shaded				Shaded				
5 pm-6 pm		Shaded				Shaded				
6 pm-7 pm										
7 pm-8 pm										
8 pm-9 pm										
9 pm-10 pm										
10 pm-11 pm										
11 pm-12 am										

Hour	WINTER (December 15 through February 28/29)									
	Monday - Wednesday		Thursday		Friday		Saturday		Sunday	
	Eastbound	Westbound	Eastbound	Westbound	Eastbound	Westbound	Eastbound	Westbound	Eastbound	Westbound
12 am-1 am										
1 am-2 am										
2 am-3 am										
3 am-4 am										
4 am-5 am										
5 am-6 am										
6 am-7 am	Shaded		Shaded		Shaded					
7 am-8 am	Shaded		Shaded		Shaded					
8 am-9 am			Shaded							
9 am-10 am										
10 am-11 am										
11 am-12 pm										
12 pm-1 pm										
1 pm-2 pm										
2 pm-3 pm										
3 pm-4 pm										
4 pm-5 pm										
5 pm-6 pm				Shaded		Shaded				
6 pm-7 pm										
7 pm-8 pm										
8 pm-9 pm										
9 pm-10 pm										
10 pm-11 pm										
11 pm-12 am										

**NEW JERSEY TURNPIKE NEWARK BAY - HUDSON COUNTY EXT.
SHOULDER CLOSURES: MP N5.4 TO N8.1**

of lanes: Eastbound Westbound
2 2 (Number of lanes may vary within section)

Shoulder may not be closed during shaded hours below, excluding previously approved long-term work efforts. If no boxes are shaded, shoulder closures are permitted at all times (other than Holidays/Heavy Traffic Days or as dictated by the NJTA Operations Department).

Hour	SUMMER (May 15 through September 14)									
	Monday - Wednesday		Thursday		Friday		Saturday		Sunday	
	Eastbound	Westbound	Eastbound	Westbound	Eastbound	Westbound	Eastbound	Westbound	Eastbound	Westbound
12 am-1 am										
1 am-2 am										
2 am-3 am										
3 am-4 am										
4 am-5 am										
5 am-6 am										
6 am-7 am	Shaded		Shaded		Shaded					
7 am-8 am	Shaded		Shaded		Shaded					
8 am-9 am			Shaded							
9 am-10 am										
10 am-11 am										
11 am-12 pm										
12 pm-1 pm										
1 pm-2 pm										
2 pm-3 pm										
3 pm-4 pm										
4 pm-5 pm				Shaded						
5 pm-6 pm				Shaded						
6 pm-7 pm										
7 pm-8 pm										
8 pm-9 pm										
9 pm-10 pm										
10 pm-11 pm										
11 pm-12 am										

Hour	SPRING/FALL (March 1 through May 14, September 15 through December 14)									
	Monday - Wednesday		Thursday		Friday		Saturday		Sunday	
	Eastbound	Westbound	Eastbound	Westbound	Eastbound	Westbound	Eastbound	Westbound	Eastbound	Westbound
12 am-1 am										
1 am-2 am										
2 am-3 am										
3 am-4 am										
4 am-5 am										
5 am-6 am										
6 am-7 am	Shaded		Shaded		Shaded					
7 am-8 am	Shaded		Shaded		Shaded					
8 am-9 am	Shaded		Shaded							
9 am-10 am										
10 am-11 am										
11 am-12 pm										
12 pm-1 pm										
1 pm-2 pm										
2 pm-3 pm										
3 pm-4 pm										
4 pm-5 pm		Shaded		Shaded		Shaded				
5 pm-6 pm		Shaded		Shaded		Shaded				
6 pm-7 pm										
7 pm-8 pm										
8 pm-9 pm										
9 pm-10 pm										
10 pm-11 pm										
11 pm-12 am										

Hour	WINTER (December 15 through February 28/29)									
	Monday - Wednesday		Thursday		Friday		Saturday		Sunday	
	Eastbound	Westbound	Eastbound	Westbound	Eastbound	Westbound	Eastbound	Westbound	Eastbound	Westbound
12 am-1 am										
1 am-2 am										
2 am-3 am										
3 am-4 am										
4 am-5 am										
5 am-6 am										
6 am-7 am	Shaded		Shaded		Shaded					
7 am-8 am	Shaded		Shaded		Shaded					
8 am-9 am			Shaded							
9 am-10 am										
10 am-11 am										
11 am-12 pm										
12 pm-1 pm										
1 pm-2 pm										
2 pm-3 pm										
3 pm-4 pm										
4 pm-5 pm				Shaded		Shaded				
5 pm-6 pm				Shaded		Shaded				
6 pm-7 pm										
7 pm-8 pm										
8 pm-9 pm										
9 pm-10 pm										
10 pm-11 pm										
11 pm-12 am										

NEW JERSEY TURNPIKE EASTERLY ALIGNMENT
SHOULDER CLOSURES: MP E106.8 NB/E106.6 SB TO E108.8*

of lanes: Northbound Southbound
 3 3 (Number of lanes may vary within section)

Shoulder may not be closed during shaded hours below, excluding previously approved long-term work efforts. If no boxes are shaded, shoulder closures are permitted at all times (other than Holidays/Heavy Traffic Days or as dictated by the NJTA Operations Department).

Hour	SUMMER (May 15 through September 14)									
	Monday - Wednesday		Thursday		Friday		Saturday		Sunday	
	Northbound	Southbound	Northbound	Southbound	Northbound	Southbound	Northbound	Southbound	Northbound	Southbound
12 am-1 am										
1 am-2 am										
2 am-3 am										
3 am-4 am										
4 am-5 am										
5 am-6 am										
6 am-7 am										
7 am-8 am										
8 am-9 am										
9 am-10 am										
10 am-11 am										
11 am-12 pm										
12 pm-1 pm										
1 pm-2 pm										
2 pm-3 pm										
3 pm-4 pm										
4 pm-5 pm										
5 pm-6 pm										
6 pm-7 pm										
7 pm-8 pm										
8 pm-9 pm										
9 pm-10 pm										
10 pm-11 pm										
11 pm-12 am										

Hour	SPRING/FALL (March 1 through May 14, September 15 through December 14)									
	Monday - Wednesday		Thursday		Friday		Saturday		Sunday	
	Northbound	Southbound	Northbound	Southbound	Northbound	Southbound	Northbound	Southbound	Northbound	Southbound
12 am-1 am										
1 am-2 am										
2 am-3 am										
3 am-4 am										
4 am-5 am										
5 am-6 am										
6 am-7 am										
7 am-8 am										
8 am-9 am										
9 am-10 am										
10 am-11 am										
11 am-12 pm										
12 pm-1 pm										
1 pm-2 pm										
2 pm-3 pm										
3 pm-4 pm										
4 pm-5 pm										
5 pm-6 pm										
6 pm-7 pm										
7 pm-8 pm										
8 pm-9 pm										
9 pm-10 pm										
10 pm-11 pm										
11 pm-12 am										

Hour	WINTER (December 15 through February 28/29)									
	Monday - Wednesday		Thursday		Friday		Saturday		Sunday	
	Northbound	Southbound	Northbound	Southbound	Northbound	Southbound	Northbound	Southbound	Northbound	Southbound
12 am-1 am										
1 am-2 am										
2 am-3 am										
3 am-4 am										
4 am-5 am										
5 am-6 am										
6 am-7 am										
7 am-8 am										
8 am-9 am										
9 am-10 am										
10 am-11 am										
11 am-12 pm										
12 pm-1 pm										
1 pm-2 pm										
2 pm-3 pm										
3 pm-4 pm										
4 pm-5 pm										
5 pm-6 pm										
6 pm-7 pm										
7 pm-8 pm										
8 pm-9 pm										
9 pm-10 pm										
10 pm-11 pm										
11 pm-12 am										

* Roadway between MP 105.7 to 106.6/106.8 not covered by Shoulder Closure Tables due to S. Mixing Bowl and Int. 15E ramps. See Table 1 in the Introduction.

**NEW JERSEY TURNPIKE EASTERLY ALIGNMENT
SHOULDER CLOSURES: MP E108.8 TO E110.9**

of lanes: Northbound Southbound
3 3 (Number of lanes may vary within section)

Shoulder may not be closed during shaded hours below, excluding previously approved long-term work efforts. If no boxes are shaded, shoulder closures are permitted at all times (other than Holidays/Heavy Traffic Days or as dictated by the NJTA Operations Department).

Hour	SUMMER (May 15 through September 14)									
	Monday - Wednesday		Thursday		Friday		Saturday		Sunday	
	Northbound	Southbound	Northbound	Southbound	Northbound	Southbound	Northbound	Southbound	Northbound	Southbound
12 am-1 am										
1 am-2 am										
2 am-3 am										
3 am-4 am										
4 am-5 am										
5 am-6 am										
6 am-7 am										
7 am-8 am										
8 am-9 am										
9 am-10 am										
10 am-11 am										
11 am-12 pm										
12 pm-1 pm										
1 pm-2 pm										
2 pm-3 pm										
3 pm-4 pm										
4 pm-5 pm										
5 pm-6 pm										
6 pm-7 pm										
7 pm-8 pm										
8 pm-9 pm										
9 pm-10 pm										
10 pm-11 pm										
11 pm-12 am										

Hour	SPRING/FALL (March 1 through May 14, September 15 through December 14)									
	Monday - Wednesday		Thursday		Friday		Saturday		Sunday	
	Northbound	Southbound	Northbound	Southbound	Northbound	Southbound	Northbound	Southbound	Northbound	Southbound
12 am-1 am										
1 am-2 am										
2 am-3 am										
3 am-4 am										
4 am-5 am										
5 am-6 am										
6 am-7 am										
7 am-8 am										
8 am-9 am										
9 am-10 am										
10 am-11 am										
11 am-12 pm										
12 pm-1 pm										
1 pm-2 pm										
2 pm-3 pm										
3 pm-4 pm										
4 pm-5 pm										
5 pm-6 pm										
6 pm-7 pm										
7 pm-8 pm										
8 pm-9 pm										
9 pm-10 pm										
10 pm-11 pm										
11 pm-12 am										

Hour	WINTER (December 15 through February 28/29)									
	Monday - Wednesday		Thursday		Friday		Saturday		Sunday	
	Northbound	Southbound	Northbound	Southbound	Northbound	Southbound	Northbound	Southbound	Northbound	Southbound
12 am-1 am										
1 am-2 am										
2 am-3 am										
3 am-4 am										
4 am-5 am										
5 am-6 am										
6 am-7 am										
7 am-8 am										
8 am-9 am										
9 am-10 am										
10 am-11 am										
11 am-12 pm										
12 pm-1 pm										
1 pm-2 pm										
2 pm-3 pm										
3 pm-4 pm										
4 pm-5 pm										
5 pm-6 pm										
6 pm-7 pm										
7 pm-8 pm										
8 pm-9 pm										
9 pm-10 pm										
10 pm-11 pm										
11 pm-12 am										

**NEW JERSEY TURNPIKE EASTERLY ALIGNMENT
SHOULDER CLOSURES: MP E110.9 TO E112.0***

of lanes: Northbound Southbound
 3 3 (Number of lanes may vary within section)

Shoulder may not be closed during shaded hours below, excluding previously approved long-term work efforts. If no boxes are shaded, shoulder closures are permitted at all times (other than Holidays/Heavy Traffic Days or as dictated by the NJTA Operations Department).

Hour	SUMMER (May 15 through September 14)									
	Monday - Wednesday		Thursday		Friday		Saturday		Sunday	
	Northbound	Southbound	Northbound	Southbound	Northbound	Southbound	Northbound	Southbound	Northbound	Southbound
12 am-1 am										
1 am-2 am										
2 am-3 am										
3 am-4 am										
4 am-5 am										
5 am-6 am										
6 am-7 am										
7 am-8 am										
8 am-9 am										
9 am-10 am										
10 am-11 am										
11 am-12 pm										
12 pm-1 pm										
1 pm-2 pm										
2 pm-3 pm										
3 pm-4 pm										
4 pm-5 pm										
5 pm-6 pm										
6 pm-7 pm										
7 pm-8 pm										
8 pm-9 pm										
9 pm-10 pm										
10 pm-11 pm										
11 pm-12 am										

Hour	SPRING/FALL (March 1 through May 14, September 15 through December 14)									
	Monday - Wednesday		Thursday		Friday		Saturday		Sunday	
	Northbound	Southbound	Northbound	Southbound	Northbound	Southbound	Northbound	Southbound	Northbound	Southbound
12 am-1 am										
1 am-2 am										
2 am-3 am										
3 am-4 am										
4 am-5 am										
5 am-6 am										
6 am-7 am										
7 am-8 am										
8 am-9 am										
9 am-10 am										
10 am-11 am										
11 am-12 pm										
12 pm-1 pm										
1 pm-2 pm										
2 pm-3 pm										
3 pm-4 pm										
4 pm-5 pm										
5 pm-6 pm										
6 pm-7 pm										
7 pm-8 pm										
8 pm-9 pm										
9 pm-10 pm										
10 pm-11 pm										
11 pm-12 am										

Hour	WINTER (December 15 through February 28/29)									
	Monday - Wednesday		Thursday		Friday		Saturday		Sunday	
	Northbound	Southbound	Northbound	Southbound	Northbound	Southbound	Northbound	Southbound	Northbound	Southbound
12 am-1 am										
1 am-2 am										
2 am-3 am										
3 am-4 am										
4 am-5 am										
5 am-6 am										
6 am-7 am										
7 am-8 am										
8 am-9 am										
9 am-10 am										
10 am-11 am										
11 am-12 pm										
12 pm-1 pm										
1 pm-2 pm										
2 pm-3 pm										
3 pm-4 pm										
4 pm-5 pm										
5 pm-6 pm										
6 pm-7 pm										
7 pm-8 pm										
8 pm-9 pm										
9 pm-10 pm										
10 pm-11 pm										
11 pm-12 am										

* Roadway between MP E112.0 to E112.5 not covered by Shoulder Closure Tables due to Int. 16E/18E ramps and toll plaza. See Table 1 in the Introduction.

**NEW JERSEY TURNPIKE EASTERLY ALIGNMENT
SHOULDER CLOSURES: MP E112.5 TO E113.1 NB/E113.3 SB***

of lanes: Northbound Southbound
3 3 (Number of lanes may vary within section)

Shoulder may not be closed during shaded hours below, excluding previously approved long-term work efforts. If no boxes are shaded, shoulder closures are permitted at all times (other than Holidays/Heavy Traffic Days or as dictated by the NJTA Operations Department).

Hour	SUMMER (May 15 through September 14)									
	Monday - Wednesday		Thursday		Friday		Saturday		Sunday	
	Northbound	Southbound	Northbound	Southbound	Northbound	Southbound	Northbound	Southbound	Northbound	Southbound
12 am-1 am										
1 am-2 am										
2 am-3 am										
3 am-4 am										
4 am-5 am										
5 am-6 am										
6 am-7 am										
7 am-8 am										
8 am-9 am										
9 am-10 am										
10 am-11 am										
11 am-12 pm										
12 pm-1 pm										
1 pm-2 pm										
2 pm-3 pm										
3 pm-4 pm										
4 pm-5 pm										
5 pm-6 pm										
6 pm-7 pm										
7 pm-8 pm										
8 pm-9 pm										
9 pm-10 pm										
10 pm-11 pm										
11 pm-12 am										

Hour	SPRING/FALL (March 1 through May 14, September 15 through December 14)									
	Monday - Wednesday		Thursday		Friday		Saturday		Sunday	
	Northbound	Southbound	Northbound	Southbound	Northbound	Southbound	Northbound	Southbound	Northbound	Southbound
12 am-1 am										
1 am-2 am										
2 am-3 am										
3 am-4 am										
4 am-5 am										
5 am-6 am										
6 am-7 am										
7 am-8 am										
8 am-9 am										
9 am-10 am										
10 am-11 am										
11 am-12 pm										
12 pm-1 pm										
1 pm-2 pm										
2 pm-3 pm										
3 pm-4 pm										
4 pm-5 pm										
5 pm-6 pm										
6 pm-7 pm										
7 pm-8 pm										
8 pm-9 pm										
9 pm-10 pm										
10 pm-11 pm										
11 pm-12 am										

Hour	WINTER (December 15 through February 28/29)									
	Monday - Wednesday		Thursday		Friday		Saturday		Sunday	
	Northbound	Southbound	Northbound	Southbound	Northbound	Southbound	Northbound	Southbound	Northbound	Southbound
12 am-1 am										
1 am-2 am										
2 am-3 am										
3 am-4 am										
4 am-5 am										
5 am-6 am										
6 am-7 am										
7 am-8 am										
8 am-9 am										
9 am-10 am										
10 am-11 am										
11 am-12 pm										
12 pm-1 pm										
1 pm-2 pm										
2 pm-3 pm										
3 pm-4 pm										
4 pm-5 pm										
5 pm-6 pm										
6 pm-7 pm										
7 pm-8 pm										
8 pm-9 pm										
9 pm-10 pm										
10 pm-11 pm										
11 pm-12 am										

* Roadway between MP E112.0 to E112.5 not covered by Shoulder Closure Tables due to Int. 16E/18E ramps and toll plaza. See Table 1 in the Introduction.

NEW JERSEY TURNPIKE EASTERLY ALIGNMENT
SHOULDER CLOSURES: MP E113.1 NB/E113.3 SB TO E116.6 NB/E116.8 SB

of lanes: Northbound Southbound
 3 3 (Number of lanes may vary within section)

Shoulder may not be closed during shaded hours below, excluding previously approved long-term work efforts. If no boxes are shaded, shoulder closures are permitted at all times (other than Holidays/Heavy Traffic Days or as dictated by the NJTA Operations Department).

Hour	SUMMER (May 15 through September 14)									
	Monday - Wednesday		Thursday		Friday		Saturday		Sunday	
	Northbound	Southbound	Northbound	Southbound	Northbound	Southbound	Northbound	Southbound	Northbound	Southbound
12 am-1 am										
1 am-2 am										
2 am-3 am										
3 am-4 am										
4 am-5 am										
5 am-6 am										
6 am-7 am										
7 am-8 am										
8 am-9 am										
9 am-10 am										
10 am-11 am										
11 am-12 pm										
12 pm-1 pm										
1 pm-2 pm										
2 pm-3 pm										
3 pm-4 pm										
4 pm-5 pm										
5 pm-6 pm										
6 pm-7 pm										
7 pm-8 pm										
8 pm-9 pm										
9 pm-10 pm										
10 pm-11 pm										
11 pm-12 am										

Hour	SPRING/FALL (March 1 through May 14, September 15 through December 14)									
	Monday - Wednesday		Thursday		Friday		Saturday		Sunday	
	Northbound	Southbound	Northbound	Southbound	Northbound	Southbound	Northbound	Southbound	Northbound	Southbound
12 am-1 am										
1 am-2 am										
2 am-3 am										
3 am-4 am										
4 am-5 am										
5 am-6 am										
6 am-7 am										
7 am-8 am										
8 am-9 am										
9 am-10 am										
10 am-11 am										
11 am-12 pm										
12 pm-1 pm										
1 pm-2 pm										
2 pm-3 pm										
3 pm-4 pm										
4 pm-5 pm										
5 pm-6 pm										
6 pm-7 pm										
7 pm-8 pm										
8 pm-9 pm										
9 pm-10 pm										
10 pm-11 pm										
11 pm-12 am										

Hour	WINTER (December 15 through February 28/29)									
	Monday - Wednesday		Thursday		Friday		Saturday		Sunday	
	Northbound	Southbound	Northbound	Southbound	Northbound	Southbound	Northbound	Southbound	Northbound	Southbound
12 am-1 am										
1 am-2 am										
2 am-3 am										
3 am-4 am										
4 am-5 am										
5 am-6 am										
6 am-7 am										
7 am-8 am										
8 am-9 am										
9 am-10 am										
10 am-11 am										
11 am-12 pm										
12 pm-1 pm										
1 pm-2 pm										
2 pm-3 pm										
3 pm-4 pm										
4 pm-5 pm										
5 pm-6 pm										
6 pm-7 pm										
7 pm-8 pm										
8 pm-9 pm										
9 pm-10 pm										
10 pm-11 pm										
11 pm-12 am										

NEW JERSEY TURNPIKE WESTERLY ALIGNMENT
SHOULDER CLOSURES: MP W106.6 NB/W106.8 SB TO W108.9*

of lanes: Northbound Southbound
 3 3 (Number of lanes may vary within section)

Shoulder may not be closed during shaded hours below, excluding previously approved long-term work efforts. If no boxes are shaded, shoulder closures are permitted at all times (other than Holidays/Heavy Traffic Days or as dictated by the NJTA Operations Department).

Hour	SUMMER (May 15 through September 14)									
	Monday - Wednesday		Thursday		Friday		Saturday		Sunday	
	Northbound	Southbound	Northbound	Southbound	Northbound	Southbound	Northbound	Southbound	Northbound	Southbound
12 am-1 am										
1 am-2 am										
2 am-3 am										
3 am-4 am										
4 am-5 am										
5 am-6 am										
6 am-7 am	Shaded		Shaded		Shaded					
7 am-8 am	Shaded		Shaded		Shaded					
8 am-9 am	Shaded		Shaded		Shaded					
9 am-10 am			Shaded							
10 am-11 am										
11 am-12 pm										
12 pm-1 pm										
1 pm-2 pm										
2 pm-3 pm			Shaded		Shaded					
3 pm-4 pm	Shaded		Shaded		Shaded					
4 pm-5 pm	Shaded		Shaded		Shaded					
5 pm-6 pm	Shaded		Shaded		Shaded					
6 pm-7 pm										
7 pm-8 pm										
8 pm-9 pm										
9 pm-10 pm										
10 pm-11 pm										
11 pm-12 am										

Hour	SPRING/FALL (March 1 through May 14, September 15 through December 14)									
	Monday - Wednesday		Thursday		Friday		Saturday		Sunday	
	Northbound	Southbound	Northbound	Southbound	Northbound	Southbound	Northbound	Southbound	Northbound	Southbound
12 am-1 am										
1 am-2 am										
2 am-3 am										
3 am-4 am										
4 am-5 am										
5 am-6 am										
6 am-7 am	Shaded		Shaded							
7 am-8 am	Shaded		Shaded		Shaded					
8 am-9 am	Shaded		Shaded		Shaded					
9 am-10 am	Shaded		Shaded							
10 am-11 am										
11 am-12 pm										
12 pm-1 pm										
1 pm-2 pm										
2 pm-3 pm					Shaded					
3 pm-4 pm	Shaded		Shaded		Shaded					
4 pm-5 pm	Shaded		Shaded		Shaded					
5 pm-6 pm	Shaded		Shaded		Shaded					
6 pm-7 pm										
7 pm-8 pm										
8 pm-9 pm										
9 pm-10 pm										
10 pm-11 pm										
11 pm-12 am										

Hour	WINTER (December 15 through February 28/29)									
	Monday - Wednesday		Thursday		Friday		Saturday		Sunday	
	Northbound	Southbound	Northbound	Southbound	Northbound	Southbound	Northbound	Southbound	Northbound	Southbound
12 am-1 am										
1 am-2 am										
2 am-3 am										
3 am-4 am										
4 am-5 am										
5 am-6 am										
6 am-7 am			Shaded							
7 am-8 am	Shaded		Shaded		Shaded					
8 am-9 am	Shaded		Shaded		Shaded					
9 am-10 am			Shaded							
10 am-11 am										
11 am-12 pm										
12 pm-1 pm										
1 pm-2 pm										
2 pm-3 pm										
3 pm-4 pm			Shaded		Shaded					
4 pm-5 pm			Shaded		Shaded					
5 pm-6 pm			Shaded		Shaded					
6 pm-7 pm										
7 pm-8 pm										
8 pm-9 pm										
9 pm-10 pm										
10 pm-11 pm										
11 pm-12 am										

* Roadway between MP 105.7 to 106.6/106.8 not covered by Shoulder Closure Tables due to S. Mixing Bowl and Int. 15E ramps. See Table 1 in the Introduction.

**NEW JERSEY TURNPIKE WESTERLY ALIGNMENT
SHOULDER CLOSURES: MP W108.9 TO W112.6**

of lanes: Northbound Southbound
3 3 (Number of lanes may vary within section)

Shoulder may not be closed during shaded hours below, excluding previously approved long-term work efforts. If no boxes are shaded, shoulder closures are permitted at all times (other than Holidays/Heavy Traffic Days or as dictated by the NJTA Operations Department).

Hour	SUMMER (May 15 through September 14)									
	Monday - Wednesday		Thursday		Friday		Saturday		Sunday	
	Northbound	Southbound	Northbound	Southbound	Northbound	Southbound	Northbound	Southbound	Northbound	Southbound
12 am-1 am										
1 am-2 am										
2 am-3 am										
3 am-4 am										
4 am-5 am										
5 am-6 am										
6 am-7 am										
7 am-8 am	Shaded		Shaded		Shaded					
8 am-9 am	Shaded		Shaded		Shaded					
9 am-10 am										
10 am-11 am										
11 am-12 pm										
12 pm-1 pm										
1 pm-2 pm										
2 pm-3 pm										
3 pm-4 pm										
4 pm-5 pm			Shaded							
5 pm-6 pm			Shaded							
6 pm-7 pm										
7 pm-8 pm										
8 pm-9 pm										
9 pm-10 pm										
10 pm-11 pm										
11 pm-12 am										

Hour	SPRING/FALL (March 1 through May 14, September 15 through December 14)									
	Monday - Wednesday		Thursday		Friday		Saturday		Sunday	
	Northbound	Southbound	Northbound	Southbound	Northbound	Southbound	Northbound	Southbound	Northbound	Southbound
12 am-1 am										
1 am-2 am										
2 am-3 am										
3 am-4 am										
4 am-5 am										
5 am-6 am										
6 am-7 am										
7 am-8 am	Shaded		Shaded		Shaded					
8 am-9 am	Shaded		Shaded		Shaded					
9 am-10 am										
10 am-11 am										
11 am-12 pm										
12 pm-1 pm										
1 pm-2 pm										
2 pm-3 pm										
3 pm-4 pm										
4 pm-5 pm		Shaded								
5 pm-6 pm		Shaded								
6 pm-7 pm										
7 pm-8 pm										
8 pm-9 pm										
9 pm-10 pm										
10 pm-11 pm										
11 pm-12 am										

Hour	WINTER (December 15 through February 28/29)									
	Monday - Wednesday		Thursday		Friday		Saturday		Sunday	
	Northbound	Southbound	Northbound	Southbound	Northbound	Southbound	Northbound	Southbound	Northbound	Southbound
12 am-1 am										
1 am-2 am										
2 am-3 am										
3 am-4 am										
4 am-5 am										
5 am-6 am										
6 am-7 am										
7 am-8 am	Shaded		Shaded		Shaded					
8 am-9 am	Shaded		Shaded		Shaded					
9 am-10 am										
10 am-11 am										
11 am-12 pm										
12 pm-1 pm										
1 pm-2 pm										
2 pm-3 pm										
3 pm-4 pm										
4 pm-5 pm										
5 pm-6 pm										
6 pm-7 pm										
7 pm-8 pm										
8 pm-9 pm										
9 pm-10 pm										
10 pm-11 pm										
11 pm-12 am										

**NEW JERSEY TURNPIKE WESTERLY ALIGNMENT
SHOULDER CLOSURES: MP W112.6 TO W116.7**

of lanes: Northbound Southbound
2 2 (Number of lanes may vary within section)

Shoulder may not be closed during shaded hours below, excluding previously approved long-term work efforts. If no boxes are shaded, shoulder closures are permitted at all times (other than Holidays/Heavy Traffic Days or as dictated by the NJTA Operations Department).

Hour	SUMMER (May 15 through September 14)									
	Monday - Wednesday		Thursday		Friday		Saturday		Sunday	
	Northbound	Southbound	Northbound	Southbound	Northbound	Southbound	Northbound	Southbound	Northbound	Southbound
12 am-1 am										
1 am-2 am										
2 am-3 am										
3 am-4 am										
4 am-5 am										
5 am-6 am										
6 am-7 am										
7 am-8 am										
8 am-9 am										
9 am-10 am										
10 am-11 am										
11 am-12 pm										
12 pm-1 pm										
1 pm-2 pm										
2 pm-3 pm										
3 pm-4 pm										
4 pm-5 pm										
5 pm-6 pm										
6 pm-7 pm										
7 pm-8 pm										
8 pm-9 pm										
9 pm-10 pm										
10 pm-11 pm										
11 pm-12 am										

Hour	SPRING/FALL (March 1 through May 14, September 15 through December 14)									
	Monday - Wednesday		Thursday		Friday		Saturday		Sunday	
	Northbound	Southbound	Northbound	Southbound	Northbound	Southbound	Northbound	Southbound	Northbound	Southbound
12 am-1 am										
1 am-2 am										
2 am-3 am										
3 am-4 am										
4 am-5 am										
5 am-6 am										
6 am-7 am										
7 am-8 am										
8 am-9 am										
9 am-10 am										
10 am-11 am										
11 am-12 pm										
12 pm-1 pm										
1 pm-2 pm										
2 pm-3 pm										
3 pm-4 pm										
4 pm-5 pm										
5 pm-6 pm										
6 pm-7 pm										
7 pm-8 pm										
8 pm-9 pm										
9 pm-10 pm										
10 pm-11 pm										
11 pm-12 am										

Hour	WINTER (December 15 through February 28/29)									
	Monday - Wednesday		Thursday		Friday		Saturday		Sunday	
	Northbound	Southbound	Northbound	Southbound	Northbound	Southbound	Northbound	Southbound	Northbound	Southbound
12 am-1 am										
1 am-2 am										
2 am-3 am										
3 am-4 am										
4 am-5 am										
5 am-6 am										
6 am-7 am										
7 am-8 am										
8 am-9 am										
9 am-10 am										
10 am-11 am										
11 am-12 pm										
12 pm-1 pm										
1 pm-2 pm										
2 pm-3 pm										
3 pm-4 pm										
4 pm-5 pm										
5 pm-6 pm										
6 pm-7 pm										
7 pm-8 pm										
8 pm-9 pm										
9 pm-10 pm										
10 pm-11 pm										
11 pm-12 am										

NEW JERSEY TURNPIKE AUTHORITY

Shoulder Closure Tables **October 2009**

II. GARDEN STATE PARKWAY

GARDEN STATE PARKWAY
SHOULDER CLOSURES: MP 0.0 TO 6.8 NB/8.0 SB

# of lanes:	Northbound	Southbound	(Number of lanes may vary within section)
	2	2	

Shoulder may not be closed during shaded hours below, excluding previously approved long-term work efforts. If no boxes are shaded, shoulder closures are permitted at all times (other than Holidays/Heavy Traffic Days or as dictated by the NJTA Operations Department).

Hour	SUMMER (May 15 through September 14)									
	Monday		Tuesday - Thursday		Friday		Saturday		Sunday	
	Northbound	Southbound	Northbound	Southbound	Northbound	Southbound	Northbound	Southbound	Northbound	Southbound
12 am-1 am										
1 am-2 am										
2 am-3 am										
3 am-4 am										
4 am-5 am										
5 am-6 am										
6 am-7 am										
7 am-8 am										
8 am-9 am										
9 am-10 am										
10 am-11 am										
11 am-12 pm										
12 pm-1 pm										
1 pm-2 pm										
2 pm-3 pm										
3 pm-4 pm										
4 pm-5 pm										
5 pm-6 pm										
6 pm-7 pm										
7 pm-8 pm										
8 pm-9 pm										
9 pm-10 pm										
10 pm-11 pm										
11 pm-12 am										

Hour	OFF-SEASON (September 15 through May 14)									
	Monday		Tuesday - Thursday		Friday		Saturday		Sunday	
	Northbound	Southbound	Northbound	Southbound	Northbound	Southbound	Northbound	Southbound	Northbound	Southbound
12 am-1 am										
1 am-2 am										
2 am-3 am										
3 am-4 am										
4 am-5 am										
5 am-6 am										
6 am-7 am										
7 am-8 am										
8 am-9 am										
9 am-10 am										
10 am-11 am										
11 am-12 pm										
12 pm-1 pm										
1 pm-2 pm										
2 pm-3 pm										
3 pm-4 pm										
4 pm-5 pm										
5 pm-6 pm										
6 pm-7 pm										
7 pm-8 pm										
8 pm-9 pm										
9 pm-10 pm										
10 pm-11 pm										
11 pm-12 am										

GARDEN STATE PARKWAY
SHOULDER CLOSURES: MP 6.8 NB/8.0 SB TO 11.5 NB/11.8 SB
WITHIN 1,000 FEET OF A TRAFFIC SIGNAL

	# of lanes:	Northbound	Southbound	
		3	3	(Number of lanes may vary within section)

Shoulder may not be closed during shaded hours below, excluding previously approved long-term work efforts. If no boxes are shaded, shoulder closures are permitted at all times (other than Holidays/Heavy Traffic Days or as dictated by the NJTA Operations Department).

SUMMER (May 15 through September 14)											
Hour	Monday		Tuesday - Thursday		Friday		Saturday		Sunday		
	Northbound	Southbound	Northbound	Southbound	Northbound	Southbound	Northbound	Southbound	Northbound	Southbound	
12 am-1 am											
1 am-2 am											
2 am-3 am											
3 am-4 am											
4 am-5 am											
5 am-6 am											
6 am-7 am											
7 am-8 am											
8 am-9 am											
9 am-10 am											
10 am-11 am											
11 am-12 pm											
12 pm-1 pm											
1 pm-2 pm											
2 pm-3 pm											
3 pm-4 pm											
4 pm-5 pm											
5 pm-6 pm											
6 pm-7 pm											
7 pm-8 pm											
8 pm-9 pm											
9 pm-10 pm											
10 pm-11 pm											
11 pm-12 am											

OFF-SEASON (September 15 through May 14)											
Hour	Monday		Tuesday - Thursday		Friday		Saturday		Sunday		
	Northbound	Southbound	Northbound	Southbound	Northbound	Southbound	Northbound	Southbound	Northbound	Southbound	
12 am-1 am											
1 am-2 am											
2 am-3 am											
3 am-4 am											
4 am-5 am											
5 am-6 am											
6 am-7 am											
7 am-8 am											
8 am-9 am											
9 am-10 am											
10 am-11 am											
11 am-12 pm											
12 pm-1 pm											
1 pm-2 pm											
2 pm-3 pm											
3 pm-4 pm											
4 pm-5 pm											
5 pm-6 pm											
6 pm-7 pm											
7 pm-8 pm											
8 pm-9 pm											
9 pm-10 pm											
10 pm-11 pm											
11 pm-12 am											

GARDEN STATE PARKWAY
SHOULDER CLOSURES: MP 6.8 NB/8.0 SB TO 11.5 NB/11.8 SB
MORE THAN 1,000 FEET FROM A TRAFFIC SIGNAL

# of lanes:	Northbound	Southbound	
	3	3	(Number of lanes may vary within section)

Shoulder may not be closed during shaded hours below, excluding previously approved long-term work efforts. If no boxes are shaded, shoulder closures are permitted at all times (other than Holidays/Heavy Traffic Days or as dictated by the NJTA Operations Department).

Hour	SUMMER (May 15 through September 14)									
	Monday		Tuesday - Thursday		Friday		Saturday		Sunday	
	Northbound	Southbound	Northbound	Southbound	Northbound	Southbound	Northbound	Southbound	Northbound	Southbound
12 am-1 am										
1 am-2 am										
2 am-3 am										
3 am-4 am										
4 am-5 am										
5 am-6 am										
6 am-7 am										
7 am-8 am										
8 am-9 am										
9 am-10 am										
10 am-11 am										
11 am-12 pm										
12 pm-1 pm										
1 pm-2 pm										
2 pm-3 pm										
3 pm-4 pm										
4 pm-5 pm										
5 pm-6 pm										
6 pm-7 pm										
7 pm-8 pm										
8 pm-9 pm										
9 pm-10 pm										
10 pm-11 pm										
11 pm-12 am										

Hour	OFF-SEASON (September 15 through May 14)									
	Monday		Tuesday - Thursday		Friday		Saturday		Sunday	
	Northbound	Southbound	Northbound	Southbound	Northbound	Southbound	Northbound	Southbound	Northbound	Southbound
12 am-1 am										
1 am-2 am										
2 am-3 am										
3 am-4 am										
4 am-5 am										
5 am-6 am										
6 am-7 am										
7 am-8 am										
8 am-9 am										
9 am-10 am										
10 am-11 am										
11 am-12 pm										
12 pm-1 pm										
1 pm-2 pm										
2 pm-3 pm										
3 pm-4 pm										
4 pm-5 pm										
5 pm-6 pm										
6 pm-7 pm										
7 pm-8 pm										
8 pm-9 pm										
9 pm-10 pm										
10 pm-11 pm										
11 pm-12 am										

GARDEN STATE PARKWAY
SHOULDER CLOSURES: MP 11.5 NB/11.8 SB TO 25.5

# of lanes:	Northbound	Southbound	(Number of lanes may vary within section)
	2	2	

Shoulder may not be closed during shaded hours below, excluding previously approved long-term work efforts. If no boxes are shaded, shoulder closures are permitted at all times (other than Holidays/Heavy Traffic Days or as dictated by the NJTA Operations Department).

Hour	SUMMER (May 15 through September 14)									
	Monday		Tuesday - Thursday		Friday		Saturday		Sunday	
	Northbound	Southbound	Northbound	Southbound	Northbound	Southbound	Northbound	Southbound	Northbound	Southbound
12 am-1 am										
1 am-2 am										
2 am-3 am										
3 am-4 am										
4 am-5 am										
5 am-6 am										
6 am-7 am										
7 am-8 am										
8 am-9 am										
9 am-10 am										
10 am-11 am										
11 am-12 pm										
12 pm-1 pm										
1 pm-2 pm										
2 pm-3 pm										
3 pm-4 pm										
4 pm-5 pm										
5 pm-6 pm										
6 pm-7 pm										
7 pm-8 pm										
8 pm-9 pm										
9 pm-10 pm										
10 pm-11 pm										
11 pm-12 am										

Hour	OFF-SEASON (September 15 through May 14)									
	Monday		Tuesday - Thursday		Friday		Saturday		Sunday	
	Northbound	Southbound	Northbound	Southbound	Northbound	Southbound	Northbound	Southbound	Northbound	Southbound
12 am-1 am										
1 am-2 am										
2 am-3 am										
3 am-4 am										
4 am-5 am										
5 am-6 am										
6 am-7 am										
7 am-8 am										
8 am-9 am										
9 am-10 am										
10 am-11 am										
11 am-12 pm										
12 pm-1 pm										
1 pm-2 pm										
2 pm-3 pm										
3 pm-4 pm										
4 pm-5 pm										
5 pm-6 pm										
6 pm-7 pm										
7 pm-8 pm										
8 pm-9 pm										
9 pm-10 pm										
10 pm-11 pm										
11 pm-12 am										

**GARDEN STATE PARKWAY
SHOULDER CLOSURES: MP 25.5 TO 30.2**

# of lanes:	Northbound	Southbound	(Number of lanes may vary within section)
	2	2	

Shoulder may not be closed during shaded hours below, excluding previously approved long-term work efforts. If no boxes are shaded, shoulder closures are permitted at all times (other than Holidays/Heavy Traffic Days or as dictated by the NJTA Operations Department).

SUMMER (May 15 through September 14)										
Hour	Monday		Tuesday - Thursday		Friday		Saturday		Sunday	
	Northbound	Southbound	Northbound	Southbound	Northbound	Southbound	Northbound	Southbound	Northbound	Southbound
12 am-1 am										
1 am-2 am										
2 am-3 am										
3 am-4 am										
4 am-5 am										
5 am-6 am										
6 am-7 am										
7 am-8 am										
8 am-9 am										
9 am-10 am										
10 am-11 am										
11 am-12 pm										
12 pm-1 pm										
1 pm-2 pm										
2 pm-3 pm										
3 pm-4 pm										
4 pm-5 pm										
5 pm-6 pm										
6 pm-7 pm										
7 pm-8 pm										
8 pm-9 pm										
9 pm-10 pm										
10 pm-11 pm										
11 pm-12 am										

OFF-SEASON (September 15 through May 14)										
Hour	Monday		Tuesday - Thursday		Friday		Saturday		Sunday	
	Northbound	Southbound	Northbound	Southbound	Northbound	Southbound	Northbound	Southbound	Northbound	Southbound
12 am-1 am										
1 am-2 am										
2 am-3 am										
3 am-4 am										
4 am-5 am										
5 am-6 am										
6 am-7 am										
7 am-8 am										
8 am-9 am										
9 am-10 am										
10 am-11 am										
11 am-12 pm										
12 pm-1 pm										
1 pm-2 pm										
2 pm-3 pm										
3 pm-4 pm										
4 pm-5 pm										
5 pm-6 pm										
6 pm-7 pm										
7 pm-8 pm										
8 pm-9 pm										
9 pm-10 pm										
10 pm-11 pm										
11 pm-12 am										

GARDEN STATE PARKWAY
SHOULDER CLOSURES: MP 30.2 TO 64.4 NB/64.1 SB

# of lanes:	Northbound	Southbound	(Number of lanes may vary within section)
	2	2	

Shoulder may not be closed during shaded hours below, excluding previously approved long-term work efforts. If no boxes are shaded, shoulder closures are permitted at all times (other than Holidays/Heavy Traffic Days or as dictated by the NJTA Operations Department).

Hour	SUMMER (May 15 through September 14)									
	Monday		Tuesday - Thursday		Friday		Saturday		Sunday	
	Northbound	Southbound	Northbound	Southbound	Northbound	Southbound	Northbound	Southbound	Northbound	Southbound
12 am-1 am										
1 am-2 am										
2 am-3 am										
3 am-4 am										
4 am-5 am										
5 am-6 am										
6 am-7 am										
7 am-8 am										
8 am-9 am										
9 am-10 am										
10 am-11 am										
11 am-12 pm										
12 pm-1 pm										
1 pm-2 pm										
2 pm-3 pm										
3 pm-4 pm										
4 pm-5 pm										
5 pm-6 pm										
6 pm-7 pm										
7 pm-8 pm										
8 pm-9 pm										
9 pm-10 pm										
10 pm-11 pm										
11 pm-12 am										

Hour	OFF-SEASON (September 15 through May 14)									
	Monday		Tuesday - Thursday		Friday		Saturday		Sunday	
	Northbound	Southbound	Northbound	Southbound	Northbound	Southbound	Northbound	Southbound	Northbound	Southbound
12 am-1 am										
1 am-2 am										
2 am-3 am										
3 am-4 am										
4 am-5 am										
5 am-6 am										
6 am-7 am										
7 am-8 am										
8 am-9 am										
9 am-10 am										
10 am-11 am										
11 am-12 pm										
12 pm-1 pm										
1 pm-2 pm										
2 pm-3 pm										
3 pm-4 pm										
4 pm-5 pm										
5 pm-6 pm										
6 pm-7 pm										
7 pm-8 pm										
8 pm-9 pm										
9 pm-10 pm										
10 pm-11 pm										
11 pm-12 am										

GARDEN STATE PARKWAY
SHOULDER CLOSURES: MP 64.4 NB/64.1 SB TO 81.0 NB/80.8 SB

of lanes: Northbound Southbound (Number of lanes may vary within section)
 2 2

Shoulder may not be closed during shaded hours below, excluding previously approved long-term work efforts. If no boxes are shaded, shoulder closures are permitted at all times (other than Holidays/Heavy Traffic Days or as dictated by the NJTA Operations Department).

Hour	SUMMER (May 15 through September 14)									
	Monday		Tuesday - Thursday		Friday		Saturday		Sunday	
	Northbound	Southbound	Northbound	Southbound	Northbound	Southbound	Northbound	Southbound	Northbound	Southbound
12 am-1 am										
1 am-2 am										
2 am-3 am										
3 am-4 am										
4 am-5 am										
5 am-6 am										
6 am-7 am	Shaded		Shaded		Shaded					
7 am-8 am	Shaded		Shaded		Shaded					
8 am-9 am	Shaded		Shaded		Shaded					
9 am-10 am								Shaded		
10 am-11 am								Shaded	Shaded	
11 am-12 pm								Shaded	Shaded	Shaded
12 pm-1 pm								Shaded	Shaded	Shaded
1 pm-2 pm								Shaded	Shaded	Shaded
2 pm-3 pm								Shaded	Shaded	Shaded
3 pm-4 pm		Shaded		Shaded				Shaded	Shaded	Shaded
4 pm-5 pm		Shaded		Shaded				Shaded	Shaded	Shaded
5 pm-6 pm		Shaded		Shaded				Shaded	Shaded	Shaded
6 pm-7 pm		Shaded		Shaded				Shaded	Shaded	Shaded
7 pm-8 pm								Shaded	Shaded	Shaded
8 pm-9 pm								Shaded	Shaded	Shaded
9 pm-10 pm								Shaded	Shaded	Shaded
10 pm-11 pm								Shaded	Shaded	Shaded
11 pm-12 am								Shaded	Shaded	Shaded

Hour	OFF-SEASON (September 15 through May 14)									
	Monday		Tuesday - Thursday		Friday		Saturday		Sunday	
	Northbound	Southbound	Northbound	Southbound	Northbound	Southbound	Northbound	Southbound	Northbound	Southbound
12 am-1 am										
1 am-2 am										
2 am-3 am										
3 am-4 am										
4 am-5 am										
5 am-6 am										
6 am-7 am	Shaded		Shaded		Shaded					
7 am-8 am	Shaded		Shaded		Shaded					
8 am-9 am	Shaded		Shaded		Shaded					
9 am-10 am										
10 am-11 am										
11 am-12 pm										
12 pm-1 pm									Shaded	
1 pm-2 pm									Shaded	
2 pm-3 pm									Shaded	
3 pm-4 pm		Shaded		Shaded					Shaded	
4 pm-5 pm		Shaded		Shaded					Shaded	
5 pm-6 pm		Shaded		Shaded					Shaded	
6 pm-7 pm		Shaded		Shaded					Shaded	
7 pm-8 pm									Shaded	
8 pm-9 pm									Shaded	
9 pm-10 pm									Shaded	
10 pm-11 pm									Shaded	
11 pm-12 am									Shaded	

GARDEN STATE PARKWAY
SHOULDER CLOSURES: MP 81.0 NB/80.8 SB TO 83.9

of lanes: Northbound Southbound (Number of lanes may vary within section)
 3 3

Shoulder may not be closed during shaded hours below, excluding previously approved long-term work efforts. If no boxes are shaded, shoulder closures are permitted at all times (other than Holidays/Heavy Traffic Days or as dictated by the NJTA Operations Department).

Hour	SUMMER (May 15 through September 14)									
	Monday		Tuesday - Thursday		Friday		Saturday		Sunday	
	Northbound	Southbound	Northbound	Southbound	Northbound	Southbound	Northbound	Southbound	Northbound	Southbound
12 am-1 am										
1 am-2 am										
2 am-3 am										
3 am-4 am										
4 am-5 am										
5 am-6 am										
6 am-7 am	Shaded		Shaded		Shaded					
7 am-8 am	Shaded		Shaded		Shaded					
8 am-9 am	Shaded		Shaded							
9 am-10 am								Shaded		
10 am-11 am								Shaded		
11 am-12 pm								Shaded	Shaded	
12 pm-1 pm								Shaded	Shaded	
1 pm-2 pm								Shaded	Shaded	
2 pm-3 pm								Shaded	Shaded	
3 pm-4 pm		Shaded		Shaded				Shaded	Shaded	
4 pm-5 pm		Shaded		Shaded				Shaded	Shaded	
5 pm-6 pm		Shaded		Shaded				Shaded	Shaded	
6 pm-7 pm				Shaded					Shaded	
7 pm-8 pm										
8 pm-9 pm										
9 pm-10 pm										
10 pm-11 pm										
11 pm-12 am										

Hour	OFF-SEASON (September 15 through May 14)									
	Monday		Tuesday - Thursday		Friday		Saturday		Sunday	
	Northbound	Southbound	Northbound	Southbound	Northbound	Southbound	Northbound	Southbound	Northbound	Southbound
12 am-1 am										
1 am-2 am										
2 am-3 am										
3 am-4 am										
4 am-5 am										
5 am-6 am										
6 am-7 am										
7 am-8 am	Shaded		Shaded		Shaded					
8 am-9 am	Shaded		Shaded		Shaded					
9 am-10 am										
10 am-11 am										
11 am-12 pm										
12 pm-1 pm										
1 pm-2 pm										
2 pm-3 pm										
3 pm-4 pm										
4 pm-5 pm		Shaded		Shaded				Shaded		
5 pm-6 pm		Shaded		Shaded				Shaded		
6 pm-7 pm										
7 pm-8 pm										
8 pm-9 pm										
9 pm-10 pm										
10 pm-11 pm										
11 pm-12 am										

GARDEN STATE PARKWAY
SHOULDER CLOSURES: MP 83.9 TO 89.2 NB/89.6 SB

of lanes: Northbound Southbound (Number of lanes may vary within section)
 3 3

Shoulder may not be closed during shaded hours below, excluding previously approved long-term work efforts. If no boxes are shaded, shoulder closures are permitted at all times (other than Holidays/Heavy Traffic Days or as dictated by the NJTA Operations Department).

Hour	SUMMER (May 15 through September 14)									
	Monday		Tuesday - Thursday		Friday		Saturday		Sunday	
	Northbound	Southbound	Northbound	Southbound	Northbound	Southbound	Northbound	Southbound	Northbound	Southbound
12 am-1 am										
1 am-2 am										
2 am-3 am										
3 am-4 am										
4 am-5 am										
5 am-6 am										
6 am-7 am	Shaded		Shaded							
7 am-8 am	Shaded		Shaded							
8 am-9 am										
9 am-10 am										
10 am-11 am										
11 am-12 pm										
12 pm-1 pm									Shaded	
1 pm-2 pm										
2 pm-3 pm										
3 pm-4 pm										
4 pm-5 pm				Shaded		Shaded				
5 pm-6 pm				Shaded		Shaded				
6 pm-7 pm										
7 pm-8 pm										
8 pm-9 pm										
9 pm-10 pm										
10 pm-11 pm										
11 pm-12 am										

Hour	OFF-SEASON (September 15 through May 14)									
	Monday		Tuesday - Thursday		Friday		Saturday		Sunday	
	Northbound	Southbound	Northbound	Southbound	Northbound	Southbound	Northbound	Southbound	Northbound	Southbound
12 am-1 am										
1 am-2 am										
2 am-3 am										
3 am-4 am										
4 am-5 am										
5 am-6 am										
6 am-7 am										
7 am-8 am			Shaded							
8 am-9 am			Shaded							
9 am-10 am										
10 am-11 am										
11 am-12 pm										
12 pm-1 pm										
1 pm-2 pm										
2 pm-3 pm										
3 pm-4 pm										
4 pm-5 pm										
5 pm-6 pm										
6 pm-7 pm										
7 pm-8 pm										
8 pm-9 pm										
9 pm-10 pm										
10 pm-11 pm										
11 pm-12 am										

GARDEN STATE PARKWAY
SHOULDER CLOSURES: MP 89.2 NB/89.6 SB TO 93.3

of lanes: Northbound Southbound (Number of lanes may vary within section)
 3 3

Shoulder may not be closed during shaded hours below, excluding previously approved long-term work efforts. If no boxes are shaded, shoulder closures are permitted at all times (other than Holidays/Heavy Traffic Days or as dictated by the NJTA Operations Department).

Hour	SUMMER (May 15 through September 14)									
	Monday		Tuesday - Thursday		Friday		Saturday		Sunday	
	Northbound	Southbound	Northbound	Southbound	Northbound	Southbound	Northbound	Southbound	Northbound	Southbound
12 am-1 am										
1 am-2 am										
2 am-3 am										
3 am-4 am										
4 am-5 am										
5 am-6 am										
6 am-7 am	Shaded		Shaded		Shaded					
7 am-8 am	Shaded		Shaded		Shaded					
8 am-9 am	Shaded		Shaded		Shaded					
9 am-10 am								Shaded		
10 am-11 am								Shaded	Shaded	
11 am-12 pm								Shaded	Shaded	
12 pm-1 pm								Shaded	Shaded	
1 pm-2 pm								Shaded	Shaded	
2 pm-3 pm								Shaded	Shaded	
3 pm-4 pm		Shaded		Shaded				Shaded	Shaded	
4 pm-5 pm		Shaded		Shaded				Shaded	Shaded	
5 pm-6 pm		Shaded		Shaded				Shaded	Shaded	
6 pm-7 pm								Shaded	Shaded	
7 pm-8 pm								Shaded	Shaded	
8 pm-9 pm								Shaded	Shaded	
9 pm-10 pm								Shaded	Shaded	
10 pm-11 pm								Shaded	Shaded	
11 pm-12 am								Shaded	Shaded	

Hour	OFF-SEASON (September 15 through May 14)									
	Monday		Tuesday - Thursday		Friday		Saturday		Sunday	
	Northbound	Southbound	Northbound	Southbound	Northbound	Southbound	Northbound	Southbound	Northbound	Southbound
12 am-1 am										
1 am-2 am										
2 am-3 am										
3 am-4 am										
4 am-5 am										
5 am-6 am										
6 am-7 am	Shaded		Shaded		Shaded					
7 am-8 am	Shaded		Shaded		Shaded					
8 am-9 am	Shaded		Shaded		Shaded					
9 am-10 am										
10 am-11 am										
11 am-12 pm										
12 pm-1 pm									Shaded	
1 pm-2 pm									Shaded	
2 pm-3 pm									Shaded	
3 pm-4 pm		Shaded		Shaded					Shaded	
4 pm-5 pm		Shaded		Shaded					Shaded	
5 pm-6 pm		Shaded		Shaded					Shaded	
6 pm-7 pm									Shaded	
7 pm-8 pm									Shaded	
8 pm-9 pm									Shaded	
9 pm-10 pm									Shaded	
10 pm-11 pm									Shaded	
11 pm-12 am									Shaded	

**GARDEN STATE PARKWAY
SHOULDER CLOSURES: MP 93.3 TO 103.9***

of lanes: Northbound Southbound (Number of lanes may vary within section)
4 4

Shoulder may not be closed during shaded hours below, excluding previously approved long-term work efforts. If no boxes are shaded, shoulder closures are permitted at all times (other than Holidays/Heavy Traffic Days or as dictated by the NJTA Operations Department).

Hour	SUMMER (May 15 through September 14)									
	Monday		Tuesday - Thursday		Friday		Saturday		Sunday	
	Northbound	Southbound	Northbound	Southbound	Northbound	Southbound	Northbound	Southbound	Northbound	Southbound
12 am-1 am										
1 am-2 am										
2 am-3 am										
3 am-4 am										
4 am-5 am										
5 am-6 am										
6 am-7 am	Shaded		Shaded		Shaded					
7 am-8 am	Shaded		Shaded		Shaded					
8 am-9 am	Shaded		Shaded		Shaded					
9 am-10 am										
10 am-11 am								Shaded		
11 am-12 pm								Shaded	Shaded	
12 pm-1 pm								Shaded	Shaded	
1 pm-2 pm								Shaded	Shaded	
2 pm-3 pm								Shaded	Shaded	
3 pm-4 pm								Shaded	Shaded	
4 pm-5 pm		Shaded		Shaded				Shaded	Shaded	
5 pm-6 pm		Shaded		Shaded				Shaded	Shaded	
6 pm-7 pm										
7 pm-8 pm										
8 pm-9 pm										
9 pm-10 pm										
10 pm-11 pm										
11 pm-12 am										

Hour	OFF-SEASON (September 15 through May 14)									
	Monday		Tuesday - Thursday		Friday		Saturday		Sunday	
	Northbound	Southbound	Northbound	Southbound	Northbound	Southbound	Northbound	Southbound	Northbound	Southbound
12 am-1 am										
1 am-2 am										
2 am-3 am										
3 am-4 am										
4 am-5 am										
5 am-6 am										
6 am-7 am	Shaded		Shaded							
7 am-8 am	Shaded		Shaded		Shaded					
8 am-9 am	Shaded		Shaded		Shaded					
9 am-10 am										
10 am-11 am										
11 am-12 pm										
12 pm-1 pm										
1 pm-2 pm										
2 pm-3 pm										
3 pm-4 pm										
4 pm-5 pm		Shaded		Shaded						
5 pm-6 pm		Shaded		Shaded						
6 pm-7 pm										
7 pm-8 pm										
8 pm-9 pm										
9 pm-10 pm										
10 pm-11 pm										
11 pm-12 am										

* Roadway between MP 103.9 to 104.2 not covered by Shoulder Closure Tables due to Express/Local Roadway split. See Table 1 in the Introduction.

GARDEN STATE PARKWAY
SHOULDER CLOSURES: LOCAL ROADWAY, MP 104.2 TO 124.7*

of lanes: Northbound Southbound (Number of lanes may vary within section)
 3 3

Shoulder may not be closed during shaded hours below, excluding previously approved long-term work efforts. If no boxes are shaded, shoulder closures are permitted at all times (other than Holidays/Heavy Traffic Days or as dictated by the NJTA Operations Department).

SUMMER (May 15 through September 14)										
Hour	Monday		Tuesday - Thursday		Friday		Saturday		Sunday	
	Northbound	Southbound	Northbound	Southbound	Northbound	Southbound	Northbound	Southbound	Northbound	Southbound
12 am-1 am										
1 am-2 am										
2 am-3 am										
3 am-4 am										
4 am-5 am										
5 am-6 am										
6 am-7 am										
7 am-8 am										
8 am-9 am										
9 am-10 am										
10 am-11 am										
11 am-12 pm										
12 pm-1 pm										
1 pm-2 pm										
2 pm-3 pm										
3 pm-4 pm										
4 pm-5 pm										
5 pm-6 pm										
6 pm-7 pm										
7 pm-8 pm										
8 pm-9 pm										
9 pm-10 pm										
10 pm-11 pm										
11 pm-12 am										

OFF-SEASON (September 15 through May 14)										
Hour	Monday		Tuesday - Thursday		Friday		Saturday		Sunday	
	Northbound	Southbound	Northbound	Southbound	Northbound	Southbound	Northbound	Southbound	Northbound	Southbound
12 am-1 am										
1 am-2 am										
2 am-3 am										
3 am-4 am										
4 am-5 am										
5 am-6 am										
6 am-7 am										
7 am-8 am										
8 am-9 am										
9 am-10 am										
10 am-11 am										
11 am-12 pm										
12 pm-1 pm										
1 pm-2 pm										
2 pm-3 pm										
3 pm-4 pm										
4 pm-5 pm										
5 pm-6 pm										
6 pm-7 pm										
7 pm-8 pm										
8 pm-9 pm										
9 pm-10 pm										
10 pm-11 pm										
11 pm-12 am										

* Roadway between MP 103.9 to 104.2 not covered by Shoulder Closure Tables due to Express/Local Roadway split. Roadway between MP 124.7 (Local) and 125.0/125.3 (Express) to 125.6/126.0 not covered by Shoulder Closure Tables due to Express/Local Roadway split. See Table 1 in the Introduction.

GARDEN STATE PARKWAY
SHOULDER CLOSURES: EXPRESS ROADWAY, MP 104.2 TO 118.6 NB/117.7 SB*

of lanes: Northbound Southbound (Number of lanes may vary within section)
 2 2

Shoulder may not be closed during shaded hours below, excluding previously approved long-term work efforts. If no boxes are shaded, shoulder closures are permitted at all times (other than Holidays/Heavy Traffic Days or as dictated by the NJTA Operations Department).

Hour	SUMMER (May 15 through September 14)									
	Monday		Tuesday - Thursday		Friday		Saturday		Sunday	
	Northbound	Southbound	Northbound	Southbound	Northbound	Southbound	Northbound	Southbound	Northbound	Southbound
12 am-1 am										
1 am-2 am										
2 am-3 am										
3 am-4 am										
4 am-5 am										
5 am-6 am										
6 am-7 am										
7 am-8 am										
8 am-9 am										
9 am-10 am										
10 am-11 am										
11 am-12 pm										
12 pm-1 pm										
1 pm-2 pm										
2 pm-3 pm										
3 pm-4 pm										
4 pm-5 pm										
5 pm-6 pm										
6 pm-7 pm										
7 pm-8 pm										
8 pm-9 pm										
9 pm-10 pm										
10 pm-11 pm										
11 pm-12 am										

Hour	OFF-SEASON (September 15 through May 14)									
	Monday		Tuesday - Thursday		Friday		Saturday		Sunday	
	Northbound	Southbound	Northbound	Southbound	Northbound	Southbound	Northbound	Southbound	Northbound	Southbound
12 am-1 am										
1 am-2 am										
2 am-3 am										
3 am-4 am										
4 am-5 am										
5 am-6 am										
6 am-7 am										
7 am-8 am										
8 am-9 am										
9 am-10 am										
10 am-11 am										
11 am-12 pm										
12 pm-1 pm										
1 pm-2 pm										
2 pm-3 pm										
3 pm-4 pm										
4 pm-5 pm										
5 pm-6 pm										
6 pm-7 pm										
7 pm-8 pm										
8 pm-9 pm										
9 pm-10 pm										
10 pm-11 pm										
11 pm-12 am										

* Roadway between MP 103.9 to 104.2 not covered by Lane Closure Tables due to Express/Local Roadway split. See Table 1 in the Introduction

GARDEN STATE PARKWAY

SHOULDER CLOSURES: EXPRESS ROADWAY, MP 118.6 NB/117.7 SB TO 125.3 NB/125.0 SB*

# of lanes:	Northbound	Southbound	(Number of lanes may vary within section)
	3	3	

Shoulder may not be closed during shaded hours below, excluding previously approved long-term work efforts. If no boxes are shaded, shoulder closures are permitted at all times (other than Holidays/Heavy Traffic Days or as dictated by the NJTA Operations Department).

Hour	SUMMER (May 15 through September 14)									
	Monday		Tuesday - Thursday		Friday		Saturday		Sunday	
	Northbound	Southbound	Northbound	Southbound	Northbound	Southbound	Northbound	Southbound	Northbound	Southbound
12 am-1 am										
1 am-2 am										
2 am-3 am										
3 am-4 am										
4 am-5 am										
5 am-6 am										
6 am-7 am										
7 am-8 am										
8 am-9 am										
9 am-10 am										
10 am-11 am										
11 am-12 pm										
12 pm-1 pm										
1 pm-2 pm										
2 pm-3 pm										
3 pm-4 pm										
4 pm-5 pm										
5 pm-6 pm										
6 pm-7 pm										
7 pm-8 pm										
8 pm-9 pm										
9 pm-10 pm										
10 pm-11 pm										
11 pm-12 am										

Hour	OFF-SEASON (September 15 through May 14)									
	Monday		Tuesday - Thursday		Friday		Saturday		Sunday	
	Northbound	Southbound	Northbound	Southbound	Northbound	Southbound	Northbound	Southbound	Northbound	Southbound
12 am-1 am										
1 am-2 am										
2 am-3 am										
3 am-4 am										
4 am-5 am										
5 am-6 am										
6 am-7 am										
7 am-8 am										
8 am-9 am										
9 am-10 am										
10 am-11 am										
11 am-12 pm										
12 pm-1 pm										
1 pm-2 pm										
2 pm-3 pm										
3 pm-4 pm										
4 pm-5 pm										
5 pm-6 pm										
6 pm-7 pm										
7 pm-8 pm										
8 pm-9 pm										
9 pm-10 pm										
10 pm-11 pm										
11 pm-12 am										

* Roadway between MP 124.7 (Local) and 125.0/125.3 (Express) to 125.6/126.0 not covered by Shoulder Closure Tables due to Express/Local Roadway split. See Table 1 in the Introduction.

GARDEN STATE PARKWAY
SHOULDER CLOSURES: MP 125.6 NB/126.0 SB TO 127.8**

# of lanes:	Northbound	Southbound
	8*	7

(Number of lanes may vary within section)

Shoulder may not be closed during shaded hours below, excluding previously approved long-term work efforts. If no boxes are shaded, shoulder closures are permitted at all times (other than Holidays/Heavy Traffic Days or as dictated by the NJTA Operations Department).

Hour	SUMMER (May 15 through September 14)									
	Monday		Tuesday - Thursday		Friday		Saturday		Sunday	
	Northbound	Southbound	Northbound	Southbound	Northbound	Southbound	Northbound	Southbound	Northbound	Southbound
12 am-1 am										
1 am-2 am										
2 am-3 am										
3 am-4 am										
4 am-5 am										
5 am-6 am										
6 am-7 am										
7 am-8 am										
8 am-9 am										
9 am-10 am										
10 am-11 am										
11 am-12 pm										
12 pm-1 pm										
1 pm-2 pm										
2 pm-3 pm										
3 pm-4 pm										
4 pm-5 pm										
5 pm-6 pm										
6 pm-7 pm										
7 pm-8 pm										
8 pm-9 pm										
9 pm-10 pm										
10 pm-11 pm										
11 pm-12 am										

Hour	OFF-SEASON (September 15 through May 14)									
	Monday		Tuesday - Thursday		Friday		Saturday		Sunday	
	Northbound	Southbound	Northbound	Southbound	Northbound	Southbound	Northbound	Southbound	Northbound	Southbound
12 am-1 am										
1 am-2 am										
2 am-3 am										
3 am-4 am										
4 am-5 am										
5 am-6 am										
6 am-7 am										
7 am-8 am										
8 am-9 am										
9 am-10 am										
10 am-11 am										
11 am-12 pm										
12 pm-1 pm										
1 pm-2 pm										
2 pm-3 pm										
3 pm-4 pm										
4 pm-5 pm										
5 pm-6 pm										
6 pm-7 pm										
7 pm-8 pm										
8 pm-9 pm										
9 pm-10 pm										
10 pm-11 pm										
11 pm-12 am										

* Shoulder closure restrictions apply to both the Thru and Exit roadways across the Driscoll Bridge.
 ** Roadway between MP 124.7 (Local) and 125.0/125.3 (Express) to 125.6/126.0 not covered by Shoulder Closure Tables due to Express/Local Roadway split. See Table 1 in the Introduction.

GARDEN STATE PARKWAY
SHOULDER CLOSURES: MP 127.8 TO 129.2*

of lanes: Northbound Southbound (Number of lanes may vary within section)
 5 4

Shoulder may not be closed during shaded hours below, excluding previously approved long-term work efforts. If no boxes are shaded, shoulder closures are permitted at all times (other than Holidays/Heavy Traffic Days or as dictated by the NJTA Operations Department).

Hour	SUMMER (May 15 through September 14)									
	Monday		Tuesday - Thursday		Friday		Saturday		Sunday	
	Northbound	Southbound	Northbound	Southbound	Northbound	Southbound	Northbound	Southbound	Northbound	Southbound
12 am-1 am										
1 am-2 am										
2 am-3 am										
3 am-4 am										
4 am-5 am										
5 am-6 am										
6 am-7 am										
7 am-8 am										
8 am-9 am										
9 am-10 am										
10 am-11 am										
11 am-12 pm										
12 pm-1 pm										
1 pm-2 pm										
2 pm-3 pm										
3 pm-4 pm										
4 pm-5 pm										
5 pm-6 pm										
6 pm-7 pm										
7 pm-8 pm										
8 pm-9 pm										
9 pm-10 pm										
10 pm-11 pm										
11 pm-12 am										

Hour	OFF-SEASON (September 15 through May 14)									
	Monday		Tuesday - Thursday		Friday		Saturday		Sunday	
	Northbound	Southbound	Northbound	Southbound	Northbound	Southbound	Northbound	Southbound	Northbound	Southbound
12 am-1 am										
1 am-2 am										
2 am-3 am										
3 am-4 am										
4 am-5 am										
5 am-6 am										
6 am-7 am										
7 am-8 am										
8 am-9 am										
9 am-10 am										
10 am-11 am										
11 am-12 pm										
12 pm-1 pm										
1 pm-2 pm										
2 pm-3 pm										
3 pm-4 pm										
4 pm-5 pm										
5 pm-6 pm										
6 pm-7 pm										
7 pm-8 pm										
8 pm-9 pm										
9 pm-10 pm										
10 pm-11 pm										
11 pm-12 am										

* Roadway between MP 129.2 to 129.9 not covered by Shoulder Closure Tables due to Interchange 129 ramps. See Table 1 in the Introduction

GARDEN STATE PARKWAY
SHOULDER CLOSURES: MP 129.9 TO 132.1*

of lanes: Northbound Southbound (Number of lanes may vary within section)
 5 5

Shoulder may not be closed during shaded hours below, excluding previously approved long-term work efforts. If no boxes are shaded, shoulder closures are permitted at all times (other than Holidays/Heavy Traffic Days or as dictated by the NJTA Operations Department).

Hour	SUMMER (May 1 through October 14)									
	Monday		Tuesday - Thursday		Friday		Saturday		Sunday	
	Northbound	Southbound	Northbound	Southbound	Northbound	Southbound	Northbound	Southbound	Northbound	Southbound
12 am-1 am										
1 am-2 am										
2 am-3 am										
3 am-4 am										
4 am-5 am										
5 am-6 am										
6 am-7 am	Shaded		Shaded		Shaded					
7 am-8 am	Shaded		Shaded		Shaded					
8 am-9 am	Shaded		Shaded		Shaded					
9 am-10 am	Shaded		Shaded							
10 am-11 am								Shaded		
11 am-12 pm								Shaded	Shaded	
12 pm-1 pm								Shaded	Shaded	
1 pm-2 pm								Shaded	Shaded	
2 pm-3 pm								Shaded	Shaded	
3 pm-4 pm	Shaded		Shaded		Shaded			Shaded	Shaded	
4 pm-5 pm	Shaded		Shaded		Shaded			Shaded	Shaded	
5 pm-6 pm	Shaded		Shaded		Shaded			Shaded	Shaded	
6 pm-7 pm								Shaded	Shaded	
7 pm-8 pm								Shaded	Shaded	
8 pm-9 pm								Shaded	Shaded	
9 pm-10 pm										
10 pm-11 pm										
11 pm-12 am										

Hour	OFF-SEASON (October 15 through April 30)									
	Monday		Tuesday - Thursday		Friday		Saturday		Sunday	
	Northbound	Southbound	Northbound	Southbound	Northbound	Southbound	Northbound	Southbound	Northbound	Southbound
12 am-1 am										
1 am-2 am										
2 am-3 am										
3 am-4 am										
4 am-5 am										
5 am-6 am										
6 am-7 am	Shaded		Shaded		Shaded					
7 am-8 am	Shaded		Shaded		Shaded					
8 am-9 am	Shaded		Shaded		Shaded					
9 am-10 am										
10 am-11 am										
11 am-12 pm										
12 pm-1 pm										
1 pm-2 pm										
2 pm-3 pm										
3 pm-4 pm	Shaded		Shaded		Shaded			Shaded		
4 pm-5 pm	Shaded		Shaded		Shaded			Shaded		
5 pm-6 pm	Shaded		Shaded		Shaded			Shaded		
6 pm-7 pm										
7 pm-8 pm										
8 pm-9 pm										
9 pm-10 pm										
10 pm-11 pm										
11 pm-12 am										

* Roadway between MP 129.2 to 129.9 not covered by Shoulder Closure Tables due to Interchange 129 ramps. See Table 1 in the Introduction.

**GARDEN STATE PARKWAY
SHOULDER CLOSURES: MP 132.1 TO 141.3**

of lanes: Northbound Southbound (Number of lanes may vary within section)
5 5

Shoulder may not be closed during shaded hours below, excluding previously approved long-term work efforts. If no boxes are shaded, shoulder closures are permitted at all times (other than Holidays/Heavy Traffic Days or as dictated by the NJTA Operations Department).

SUMMER (May 1 through October 14)										
Hour	Monday		Tuesday - Thursday		Friday		Saturday		Sunday	
	Northbound	Southbound	Northbound	Southbound	Northbound	Southbound	Northbound	Southbound	Northbound	Southbound
12 am-1 am										
1 am-2 am										
2 am-3 am										
3 am-4 am										
4 am-5 am										
5 am-6 am										
6 am-7 am	Shaded		Shaded		Shaded					
7 am-8 am	Shaded		Shaded		Shaded					
8 am-9 am	Shaded		Shaded		Shaded					
9 am-10 am										
10 am-11 am								Shaded		
11 am-12 pm								Shaded	Shaded	
12 pm-1 pm								Shaded	Shaded	
1 pm-2 pm								Shaded	Shaded	
2 pm-3 pm								Shaded	Shaded	
3 pm-4 pm	Shaded		Shaded		Shaded		Shaded	Shaded	Shaded	
4 pm-5 pm	Shaded		Shaded		Shaded		Shaded	Shaded	Shaded	
5 pm-6 pm	Shaded		Shaded		Shaded		Shaded	Shaded	Shaded	
6 pm-7 pm								Shaded	Shaded	
7 pm-8 pm								Shaded	Shaded	
8 pm-9 pm								Shaded	Shaded	
9 pm-10 pm										
10 pm-11 pm										
11 pm-12 am										

OFF-SEASON (October 15 through April 30)										
Hour	Monday		Tuesday - Thursday		Friday		Saturday		Sunday	
	Northbound	Southbound	Northbound	Southbound	Northbound	Southbound	Northbound	Southbound	Northbound	Southbound
12 am-1 am										
1 am-2 am										
2 am-3 am										
3 am-4 am										
4 am-5 am										
5 am-6 am										
6 am-7 am	Shaded		Shaded		Shaded					
7 am-8 am	Shaded		Shaded		Shaded					
8 am-9 am	Shaded		Shaded		Shaded					
9 am-10 am										
10 am-11 am										
11 am-12 pm										
12 pm-1 pm										
1 pm-2 pm										
2 pm-3 pm										
3 pm-4 pm										
4 pm-5 pm	Shaded		Shaded		Shaded		Shaded	Shaded		
5 pm-6 pm	Shaded		Shaded		Shaded		Shaded	Shaded		
6 pm-7 pm	Shaded		Shaded		Shaded		Shaded	Shaded		
7 pm-8 pm										
8 pm-9 pm										
9 pm-10 pm										
10 pm-11 pm										
11 pm-12 am										

GARDEN STATE PARKWAY
SHOULDER CLOSURES: MP 146.7 TO 155.8

of lanes: Northbound Southbound (Number of lanes may vary within section)
 3 3

Shoulder may not be closed during shaded hours below, excluding previously approved long-term work efforts. If no boxes are shaded, shoulder closures are permitted at all times (other than Holidays/Heavy Traffic Days or as dictated by the NJTA Operations Department).

Hour	SUMMER (May 1 through October 14)									
	Monday		Tuesday - Thursday		Friday		Saturday		Sunday	
	Northbound	Southbound	Northbound	Southbound	Northbound	Southbound	Northbound	Southbound	Northbound	Southbound
12 am-1 am										
1 am-2 am										
2 am-3 am										
3 am-4 am										
4 am-5 am										
5 am-6 am										
6 am-7 am										
7 am-8 am										
8 am-9 am										
9 am-10 am										
10 am-11 am										
11 am-12 pm										
12 pm-1 pm										
1 pm-2 pm										
2 pm-3 pm										
3 pm-4 pm										
4 pm-5 pm										
5 pm-6 pm										
6 pm-7 pm										
7 pm-8 pm										
8 pm-9 pm										
9 pm-10 pm										
10 pm-11 pm										
11 pm-12 am										

Hour	OFF-SEASON (October 15 through April 30)									
	Monday		Tuesday - Thursday		Friday		Saturday		Sunday	
	Northbound	Southbound	Northbound	Southbound	Northbound	Southbound	Northbound	Southbound	Northbound	Southbound
12 am-1 am										
1 am-2 am										
2 am-3 am										
3 am-4 am										
4 am-5 am										
5 am-6 am										
6 am-7 am										
7 am-8 am										
8 am-9 am										
9 am-10 am										
10 am-11 am										
11 am-12 pm										
12 pm-1 pm										
1 pm-2 pm										
2 pm-3 pm										
3 pm-4 pm										
4 pm-5 pm										
5 pm-6 pm										
6 pm-7 pm										
7 pm-8 pm										
8 pm-9 pm										
9 pm-10 pm										
10 pm-11 pm										
11 pm-12 am										

GARDEN STATE PARKWAY
SHOULDER CLOSURES: MP 155.8 TO 163.2 NB/162.9 SB

of lanes: Northbound Southbound (Number of lanes may vary within section)
 3 3

Shoulder may not be closed during shaded hours below, excluding previously approved long-term work efforts. If no boxes are shaded, shoulder closures are permitted at all times (other than Holidays/Heavy Traffic Days or as dictated by the NJTA Operations Department).

Hour	SUMMER (May 1 through October 14)									
	Monday		Tuesday - Thursday		Friday		Saturday		Sunday	
	Northbound	Southbound	Northbound	Southbound	Northbound	Southbound	Northbound	Southbound	Northbound	Southbound
12 am-1 am										
1 am-2 am										
2 am-3 am										
3 am-4 am										
4 am-5 am										
5 am-6 am										
6 am-7 am										
7 am-8 am										
8 am-9 am										
9 am-10 am										
10 am-11 am										
11 am-12 pm										
12 pm-1 pm										
1 pm-2 pm										
2 pm-3 pm										
3 pm-4 pm										
4 pm-5 pm										
5 pm-6 pm										
6 pm-7 pm										
7 pm-8 pm										
8 pm-9 pm										
9 pm-10 pm										
10 pm-11 pm										
11 pm-12 am										

Hour	OFF-SEASON (October 15 through April 30)									
	Monday		Tuesday - Thursday		Friday		Saturday		Sunday	
	Northbound	Southbound	Northbound	Southbound	Northbound	Southbound	Northbound	Southbound	Northbound	Southbound
12 am-1 am										
1 am-2 am										
2 am-3 am										
3 am-4 am										
4 am-5 am										
5 am-6 am										
6 am-7 am										
7 am-8 am										
8 am-9 am										
9 am-10 am										
10 am-11 am										
11 am-12 pm										
12 pm-1 pm										
1 pm-2 pm										
2 pm-3 pm										
3 pm-4 pm										
4 pm-5 pm										
5 pm-6 pm										
6 pm-7 pm										
7 pm-8 pm										
8 pm-9 pm										
9 pm-10 pm										
10 pm-11 pm										
11 pm-12 am										

GARDEN STATE PARKWAY
SHOULDER CLOSURES: MP 163.2 NB/162.9 SB TO 167.3

of lanes: Northbound Southbound (Number of lanes may vary within section)
 3 3

Shoulder may not be closed during shaded hours below, excluding previously approved long-term work efforts. If no boxes are shaded, shoulder closures are permitted at all times (other than Holidays/Heavy Traffic Days or as dictated by the NJTA Operations Department).

Hour	SUMMER (May 1 through October 14)									
	Monday		Tuesday - Thursday		Friday		Saturday		Sunday	
	Northbound	Southbound	Northbound	Southbound	Northbound	Southbound	Northbound	Southbound	Northbound	Southbound
12 am-1 am										
1 am-2 am										
2 am-3 am										
3 am-4 am										
4 am-5 am										
5 am-6 am										
6 am-7 am										
7 am-8 am										
8 am-9 am										
9 am-10 am										
10 am-11 am										
11 am-12 pm										
12 pm-1 pm										
1 pm-2 pm										
2 pm-3 pm										
3 pm-4 pm										
4 pm-5 pm										
5 pm-6 pm										
6 pm-7 pm										
7 pm-8 pm										
8 pm-9 pm										
9 pm-10 pm										
10 pm-11 pm										
11 pm-12 am										

Hour	OFF-SEASON (October 15 through April 30)									
	Monday		Tuesday - Thursday		Friday		Saturday		Sunday	
	Northbound	Southbound	Northbound	Southbound	Northbound	Southbound	Northbound	Southbound	Northbound	Southbound
12 am-1 am										
1 am-2 am										
2 am-3 am										
3 am-4 am										
4 am-5 am										
5 am-6 am										
6 am-7 am										
7 am-8 am										
8 am-9 am										
9 am-10 am										
10 am-11 am										
11 am-12 pm										
12 pm-1 pm										
1 pm-2 pm										
2 pm-3 pm										
3 pm-4 pm										
4 pm-5 pm										
5 pm-6 pm										
6 pm-7 pm										
7 pm-8 pm										
8 pm-9 pm										
9 pm-10 pm										
10 pm-11 pm										
11 pm-12 am										

GARDEN STATE PARKWAY
SHOULDER CLOSURES: MP 167.3 TO 172.4 (END)

# of lanes:	Northbound	Southbound	(Number of lanes may vary within section)
	2	2	

Shoulder may not be closed during shaded hours below, excluding previously approved long-term work efforts. If no boxes are shaded, shoulder closures are permitted at all times (other than Holidays/Heavy Traffic Days or as dictated by the NJTA Operations Department).

Hour	SUMMER (May 1 through October 14)									
	Monday		Tuesday - Thursday		Friday		Saturday		Sunday	
	Northbound	Southbound	Northbound	Southbound	Northbound	Southbound	Northbound	Southbound	Northbound	Southbound
12 am-1 am										
1 am-2 am										
2 am-3 am										
3 am-4 am										
4 am-5 am										
5 am-6 am										
6 am-7 am										
7 am-8 am										
8 am-9 am										
9 am-10 am										
10 am-11 am										
11 am-12 pm										
12 pm-1 pm										
1 pm-2 pm										
2 pm-3 pm										
3 pm-4 pm										
4 pm-5 pm										
5 pm-6 pm										
6 pm-7 pm										
7 pm-8 pm										
8 pm-9 pm										
9 pm-10 pm										
10 pm-11 pm										
11 pm-12 am										

Hour	OFF-SEASON (October 15 through April 30)									
	Monday		Tuesday - Thursday		Friday		Saturday		Sunday	
	Northbound	Southbound	Northbound	Southbound	Northbound	Southbound	Northbound	Southbound	Northbound	Southbound
12 am-1 am										
1 am-2 am										
2 am-3 am										
3 am-4 am										
4 am-5 am										
5 am-6 am										
6 am-7 am										
7 am-8 am										
8 am-9 am										
9 am-10 am										
10 am-11 am										
11 am-12 pm										
12 pm-1 pm										
1 pm-2 pm										
2 pm-3 pm										
3 pm-4 pm										
4 pm-5 pm										
5 pm-6 pm										
6 pm-7 pm										
7 pm-8 pm										
8 pm-9 pm										
9 pm-10 pm										
10 pm-11 pm										
11 pm-12 am										